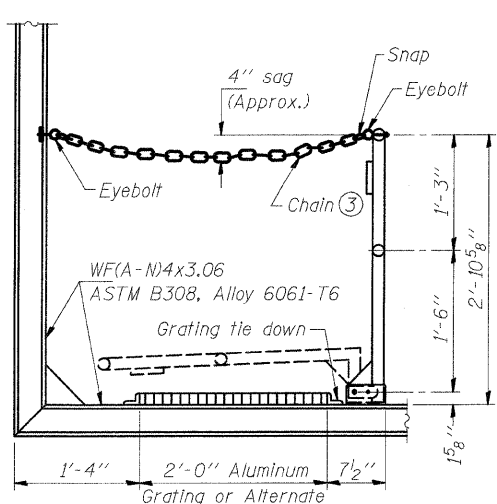


STATE OF ILLINOIS
DEPARTMENT OF TRANSPORTATION

ROUTE NO.	SECTION	COUNTY	TOTAL SHEETS	SHEET NO.
70		MADISON	420	175
FED. ROAD DIST. NO. II	ILLINOIS	FED. AID PROJECT-		

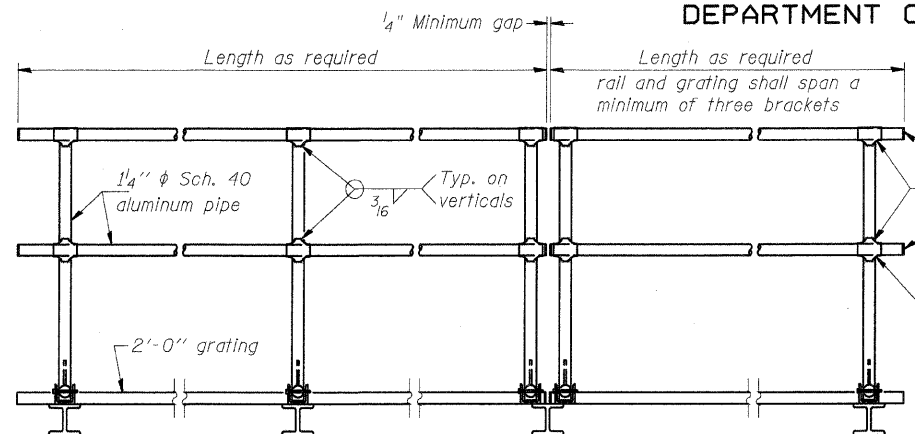
SHEET NO. 175
SHEETS

60-10K-1, 60-10HB



SIDE ELEVATION

(Showing safety chain w/o sign)



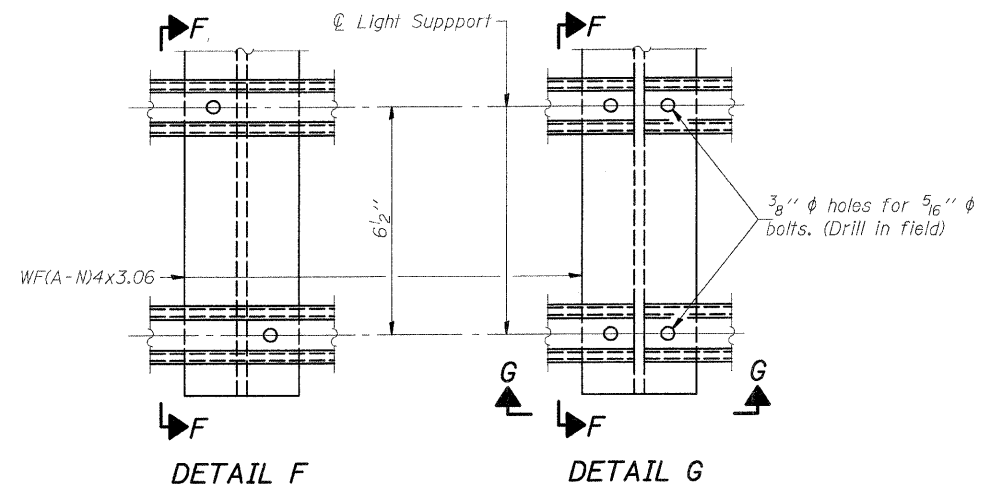
FRONT ELEVATION

HANDRAIL DETAILS

Handrail pipe shall be ASTM B241, Alloy 6063-T6 or Alloy 6061-T6.

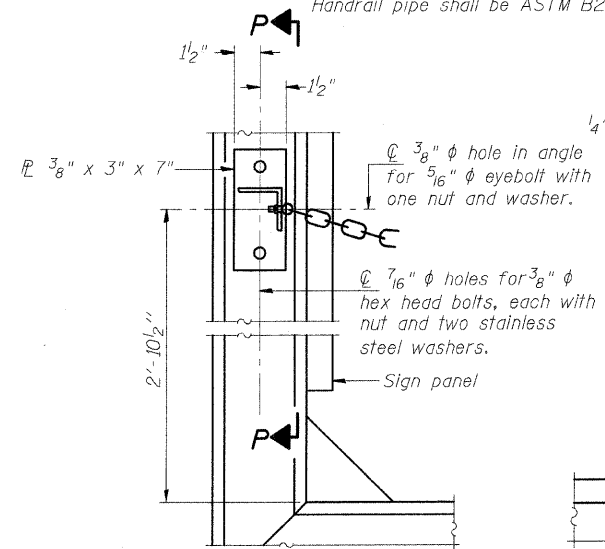
① Install standard force-fit end caps or weld 1/8 inch end plates with 1/8 inch c.f.w. and grind smooth. (All rail ends)
Fittings-ASTM B26, Alloy 356-T7

② Horizontal handrail member shall be continuous thru fitting. Provide 7/16 inch hole in fitting for 3/8 inch bolt. Field drill 1/16 inch hole in horizontal rail member. Provide locknut and two stainless steel washers for bolt. (Use 5/16 inch eyebolts in 7/16 inch holes on top rail at ends only.)



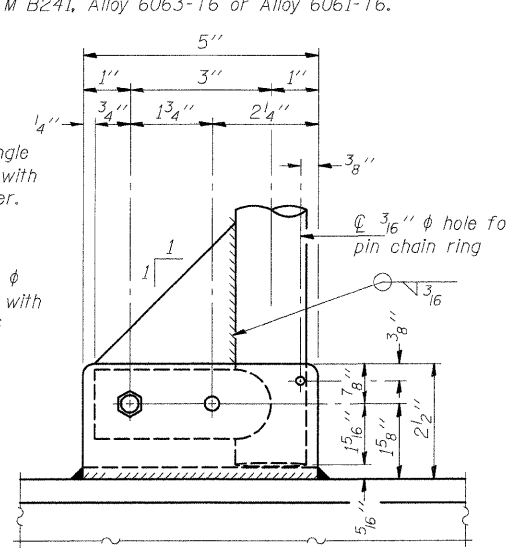
DETAIL F

DETAIL G

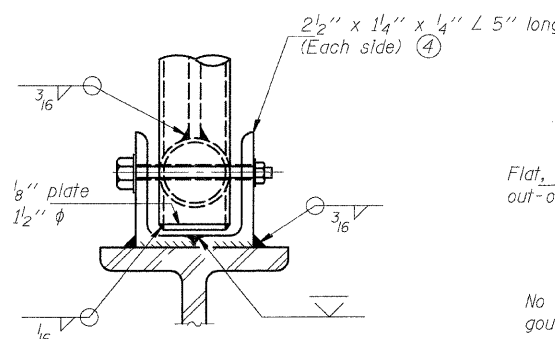


ALTERNATE SAFETY CHAIN ATTACHMENT

(With Sign Present)
Items not shown same as "Side Elevation" of "Handrail Details"

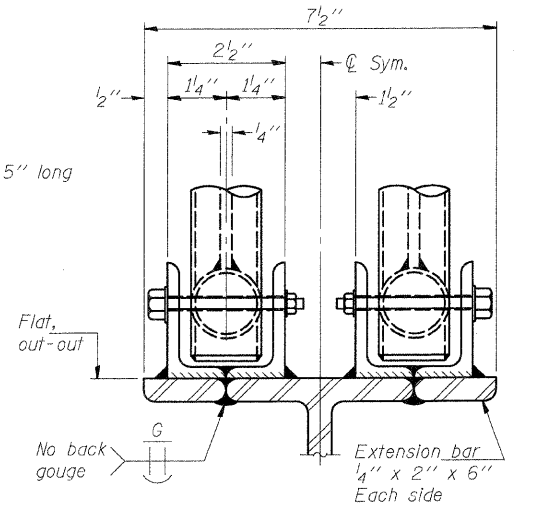


SIDE ELEVATION

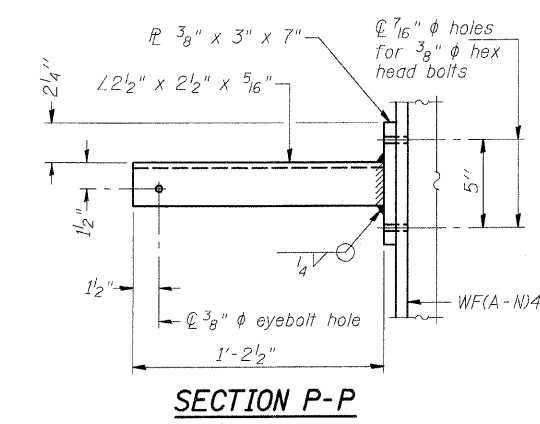


FRONT ELEVATION

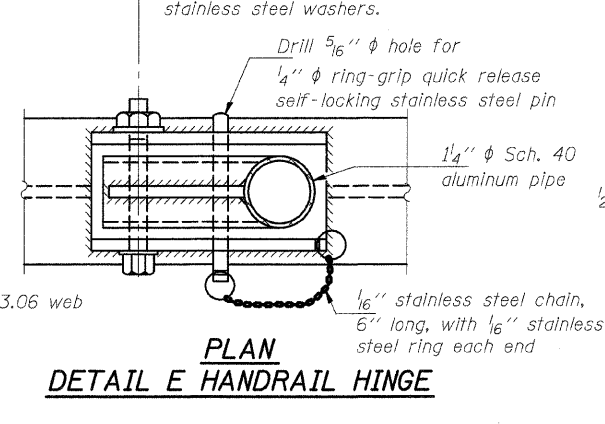
See "ELEVATION" at right for dimensions.



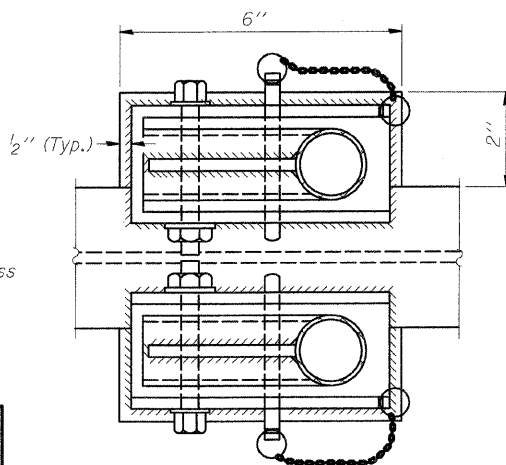
ELEVATION AT HANDRAIL JOINT



SECTION P-P

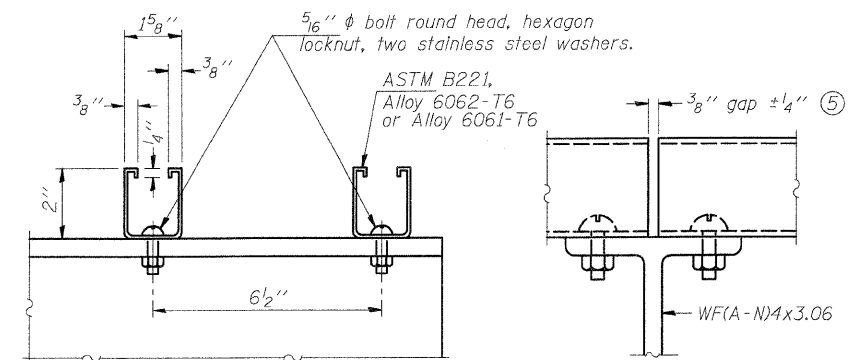


PLAN DETAIL E HANDRAIL HINGE



PLAN AT HANDRAIL JOINT

Details not shown same as "PLAN"

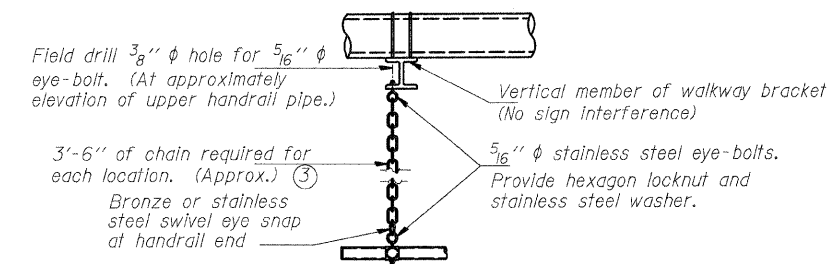


SECTION F-F

SECTION G-G

LIGHTING FIXTURE MOUNTS (IF REQUIRED)

⑤ Field cut ends of light support channels shall be free of burrs or hazardous projections and coated with zinc-rich primer or equivalent.



SAFETY CHAIN

One required for each end of each walkway.

DESIGNED	- BTO
CHECKED	- JAN
DRAWN	- BTO
CHECKED	- JAN

EXAMINED	20
PASSED	

NUMBER	REVISION	DATE

ALTERNATE SAFETY CHAIN ATTACHMENT

Details not shown similar to "Safety Chain" Details (Walkway omitted for clarity)

③ 3/16 inch galvanized steel chain, approximately 12 links per foot. Chain to be hot dip galvanized after manufacture and suitable for prolonged exterior exposure. Alternate materials may be substituted with the Engineer's approval.

④ Extrusions may be used in lieu of the details shown, with approval of the Engineer.

**OVERHEAD SIGN STRUCTURES
ALUMINUM HANDRAIL DETAILS**

FAI ROUTE 70
SECTION 60-10K-1, 60-10-4HB
MADISON COUNTY