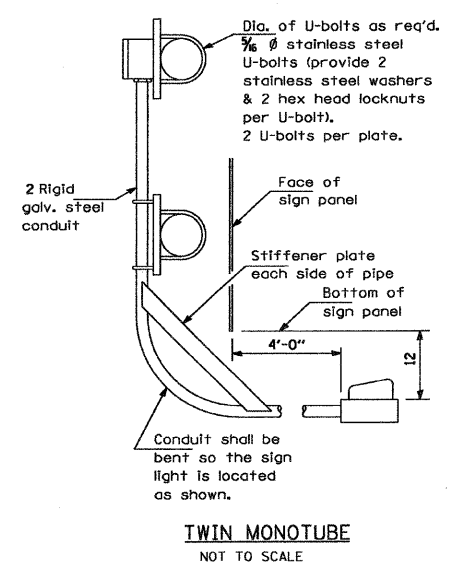
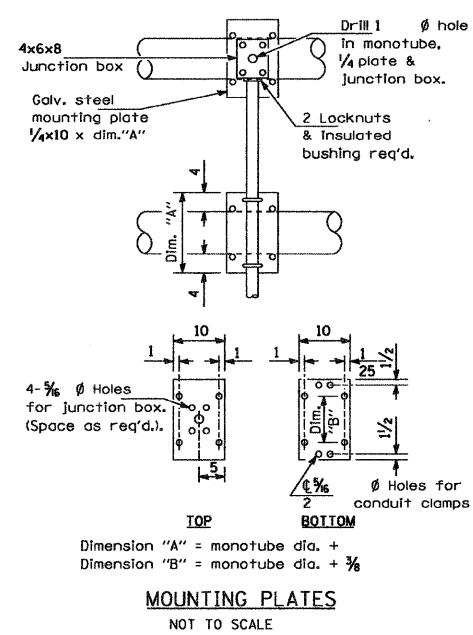
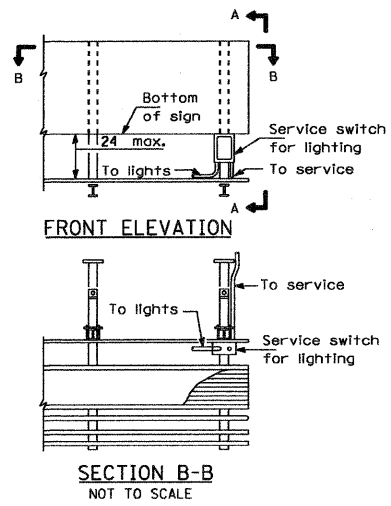
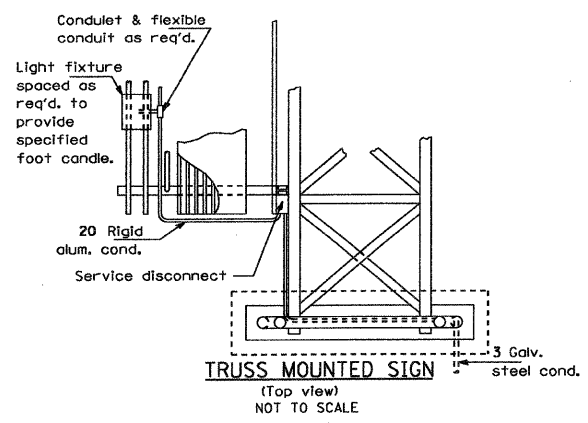
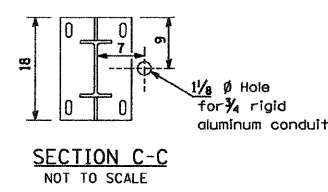
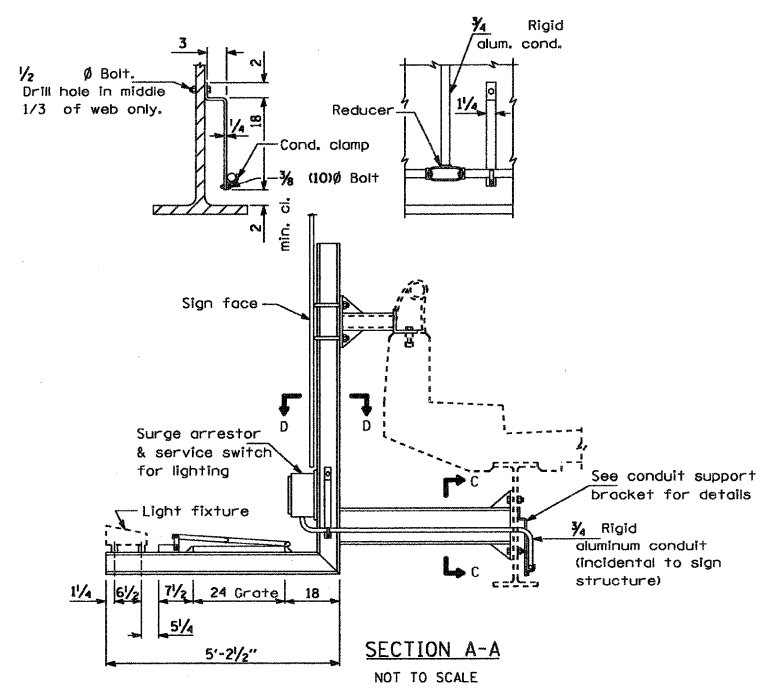
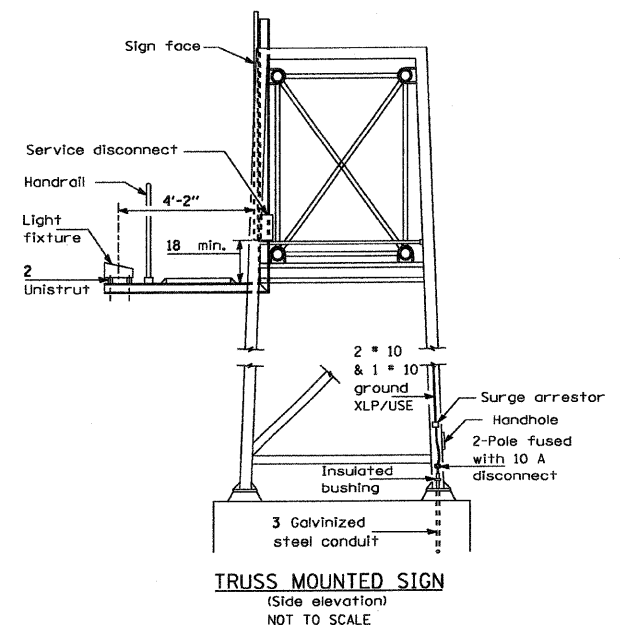
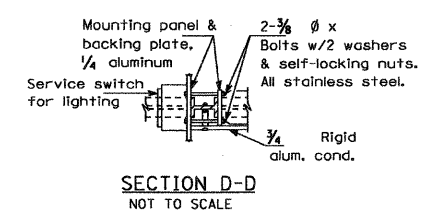


FIP ROUTE	SECTION	COUNTY	TOTAL SHEETS	SHEET NO.
70	60-10 (K-1,HB)	MADISON	420	189
STA.		TO STA.		
CONTRACT NO.: 76709				



SIGN LIGHTING SCHEDULE					
SIGN NUMBER	LOCATION STATION	TYPE OF STRUCTURE	LUMINAIRE COLOR	OPERATING VOLTAGE	NUMBER OF 150 WATT LUMINAIRES
S-1	1337+90	SPAN	GRAY	480 VOLTS	2
S-2	1368+72	SPAN	GRAY	480 VOLTS	3



GENERAL NOTES
All sign lighting fixtures shall have a minimum of 3 mounting points.
All mounting hardware shall be stainless steel.

REVISIONS	
NAME	DATE

ILLINOIS DEPARTMENT OF TRANSPORTATION
SIGN LIGHTING DETAILS
FAI ROUTE 70
SECTION 60-10K-1, 60-10HB
MADISON COUNTY
DRAWN BY: IDOT (MODIFIED) CHECKED BY: A. OSHANA, P.E.

LT-12

DATE	
BY	
REVISION	
CHECKED	
APPROVED	
NO.	
PLAN	

XXXXXXX - IDOT IL 162 over 1-55.70 revisions
236-LT-12 - Sign Lighting Details.dgn
1/28/2009 11:17 PM
Robert Swanson