

APP. NO.	SECTION	COUNTY	TOTAL SHEETS	SHEET NO.
70	60-10 (K-1,HB)	MADISON	420	201
STA.	TO STA.			
CONTRACT NO.: 76709				

PROPOSED SEQUENCE OF OPERATION								
PHASE	1	2	3	4	5	6	7	8
MOVEMENT	↙	→	↗	↓	↖	←	↘	↑
CONCURRENT MOVEMENT PERMITTED	5 OR 6	5 OR 6	7 OR 8	7 OR 8	1 OR 2	1 OR 2	3 OR 4	3 OR 4

PHASE DESIGNATION LEGEND

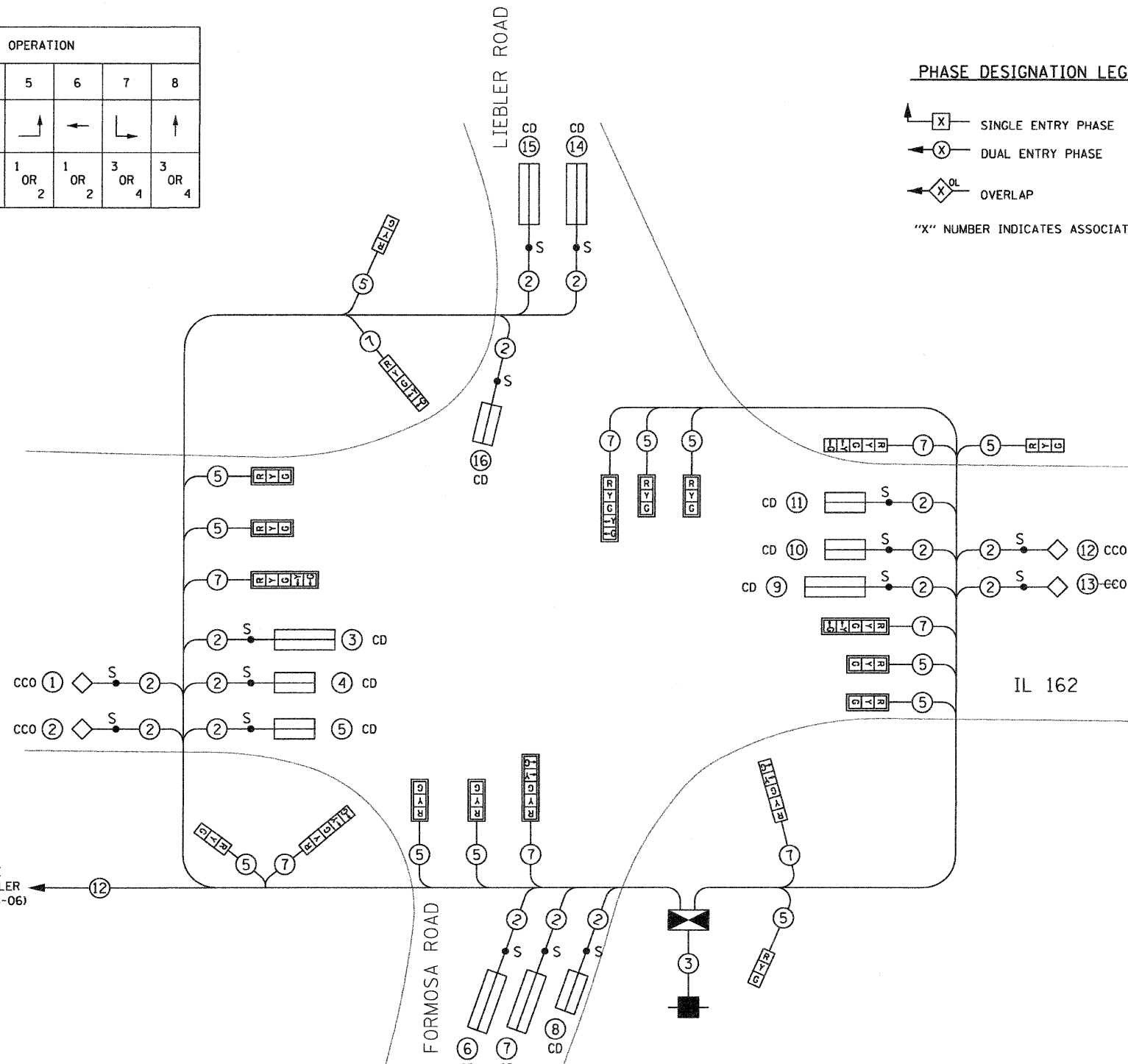
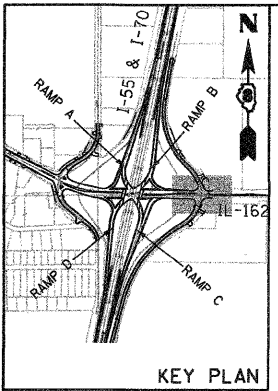
- SINGLE ENTRY PHASE
- DUAL ENTRY PHASE
- OVERLAP
- "X" NUMBER INDICATES ASSOCIATED PHASE

CABLE PLAN LEGEND

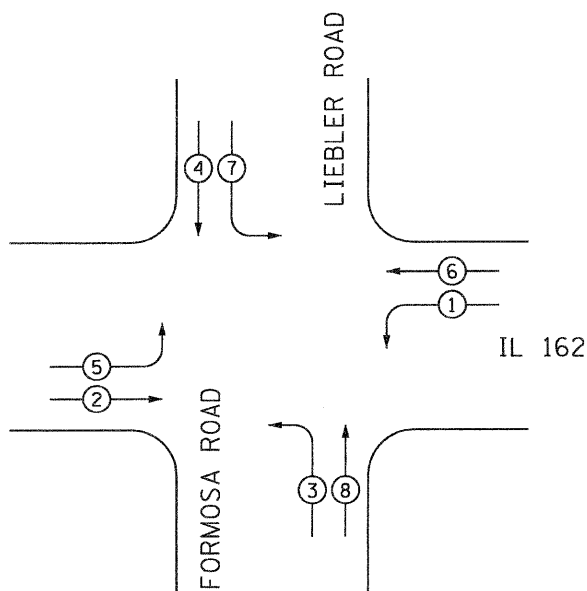
- CONTROLLER
- SERVICE INSTALLATION
- DETECTOR LOOPS
- DETECTOR LOOP LEAD-IN SPLICE
- NUMBER OF CONDUCTORS OR FIBER OPTIC STRANDS
- LEFT TURN - YELLOW
- LEFT TURN - GREEN
- TRAFFIC SIGNAL SECTION 12" - GREEN
- GEOMETRICALLY PROGRAMMED LOUVER (G.P.L.)
- SIGNAL FACE WITH BACKPLATE
- RED
- YELLOW
- GREEN
- YELLOW LEFT
- GREEN LEFT
- CALL DELAY
- CALL CARRY OVER

DETECTOR LOOP REQUIREMENTS AND CALCULATIONS IL-162 @ LIEBLER/FORMOSA ROAD					
LOOP No. (S)	PHASE	LOOP SIZE	No. OF TURNS	INDUCTANCE (MICROHENRIES)	RESISTANCE (OHMS)
1	2	6'x6'	5	269	3.0
2	2	6'x6'	5	266	3.0
3	5	6'x50' 0	3-6-3	379	3.5
4	2	6'x20' 0	4-8-4	301	2.6
5	2	6'x20' 0	4-8-4	298	2.5
6	3	6'x50' 0	3-6-3	357	3.2
7	8	6'x50' 0	3-6-3	348	2.7
8	8	6'x20' 0	4-8-4	268	1.6
9	1	6'x50' 0	3-6-3	383	3.7
10	6	6'x20' 0	4-8-4	304	2.8
11	6	6'x20' 0	4-8-4	301	2.8
12	6	6'x6'	5	280	3.4
13	6	6'x6'	5	283	3.4
14	7	6'x50' 0	3-6-3	411	4.6
15	4	6'x50' 0	3-6-3	406	4.3
16	4	6'x20' 0	4-8-4	326	3.4

THE ABOVE VALUES ARE CALCULATED OF COMBINED LOOP AND LEAD-IN INDUCTANCE AND RESISTANCE. ACTUAL MEASURED VALUES SHOULD BE WITHIN +/- 20% OF THESE VALUES



1 PROPOSED TRAFFIC SIGNALS CABLE PLAN
N.T.S.



2 PHASE DESIGNATION DIAGRAM
N.T.S.

PLAN	NO.	DATE	BY
REVISION			
NOTE BOOK			
NO.			

XXXXXXX - IDOT IL 162 over 1-55,70 revisions
236-TS-08-east-Cablecdg
1/28/2009
4:59:00 PM
Robert Swanson

REVISIONS	
NAME	DATE

ILLINOIS DEPARTMENT OF TRANSPORTATION
PROPOSED TRAFFIC SIGNALS
CABLE PLAN
IL 162 @ LIEBLER RD./FORMOSA RD.
FAI ROUTE 70
SECTION 60-10K-1, 60-10HB
MADISON COUNTY
DRAWN BY: RPJ
CHECKED BY: A. OSHANA, P.E.

TS-08