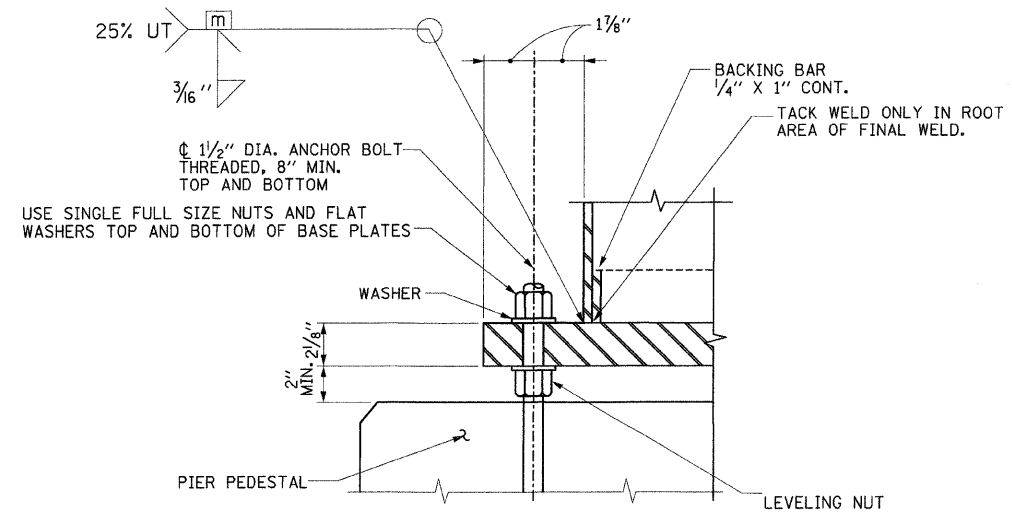
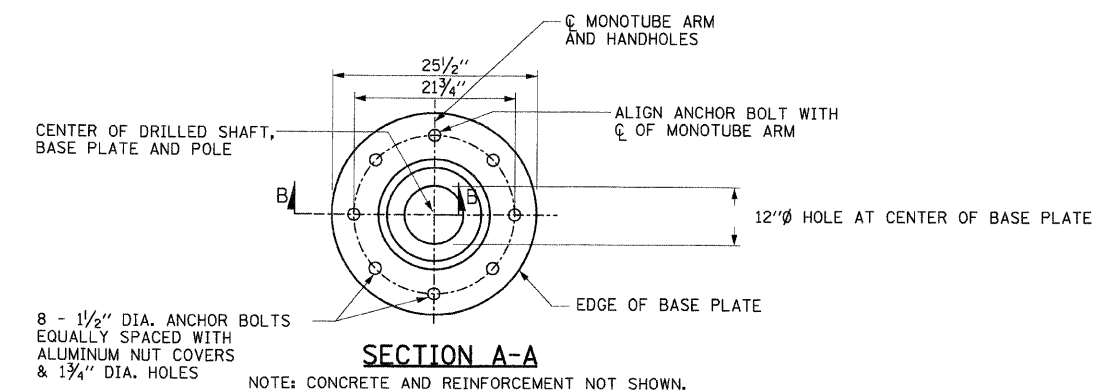


F.A.I. RTE.	SECTION	COUNTY	TOTAL SHEETS	SHEET NO.
70	*	MADISON	420	207
STA.	TO STA.			
FED. ROAD DIST. NO.	ILLINOIS	FED. AID PROJECT		
* 60-10K-1, 60-10HB CONTRACT NO. 76709				

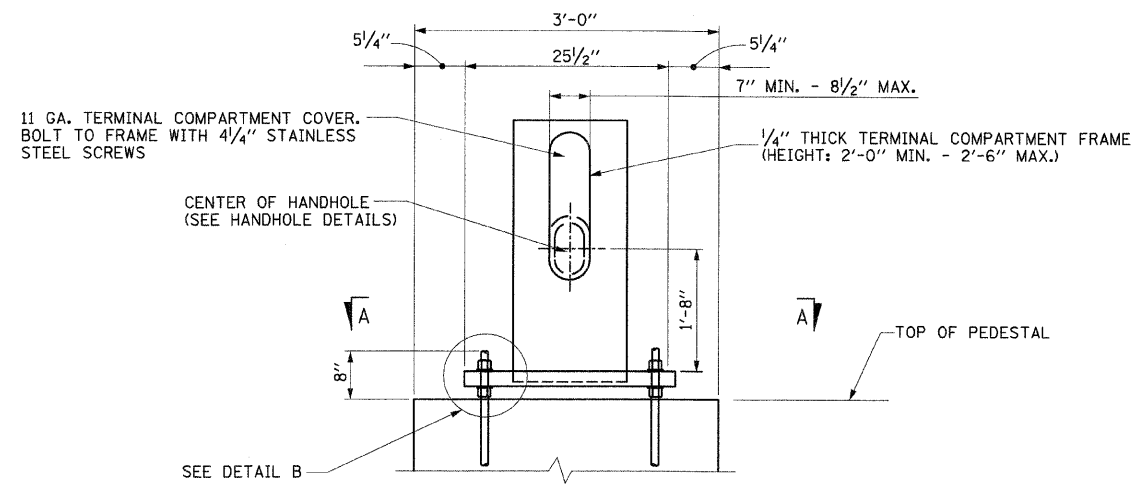


DETAIL B



SECTION A-A

NOTE: CONCRETE AND REINFORCEMENT NOT SHOWN.
* ANCHOR BOLT GROUP LOCATIONS MAY BE ±1/2" IN THE DIRECTION OF THE SPAN.



MONOTUBE BASE PLATE AND ANCHORAGE ELEVATION

SIGN STRUCTURE NUMBER
8M060I055R018.0

SHT. 4 OF 4

STV Incorporated
Engineers/Architects/Planners/Construction Managers
200 W. Monroe Street, Suite 1650
Chicago, IL 60606-5015
312-553-0655, FAX 312-553-0661

REVISIONS	
NAME	DATE

ILLINOIS DEPARTMENT OF TRANSPORTATION
IL ROUTE 162 OVER I-55/70 IN TROY
F.A.I ROUTE 70 SECTION 60-10K-1, 60-10HB
MADISON COUNTY STATION 499+48.35
STRUCTURE NO. 060-0338
**MONOTUBE SPAN STRUCTURE
BASE PLATE & ARM
CONNECTION DETAILS**
DESIGNED: JAN DRAWN: HJB
DATE: 4/06 CHECKED: TO CHECKED: JAN