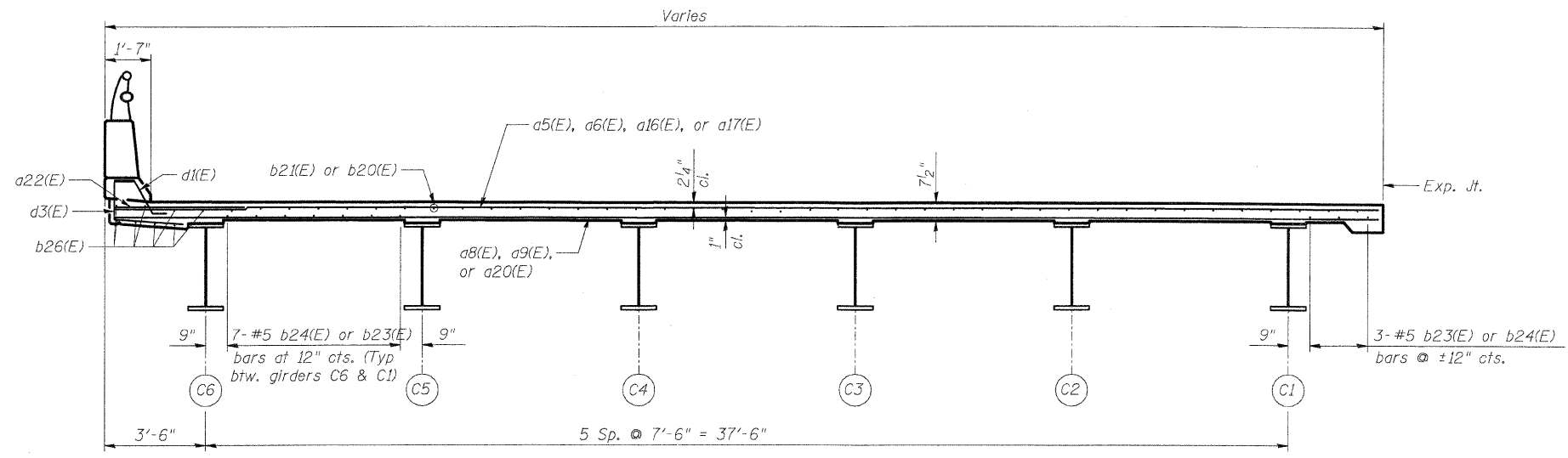
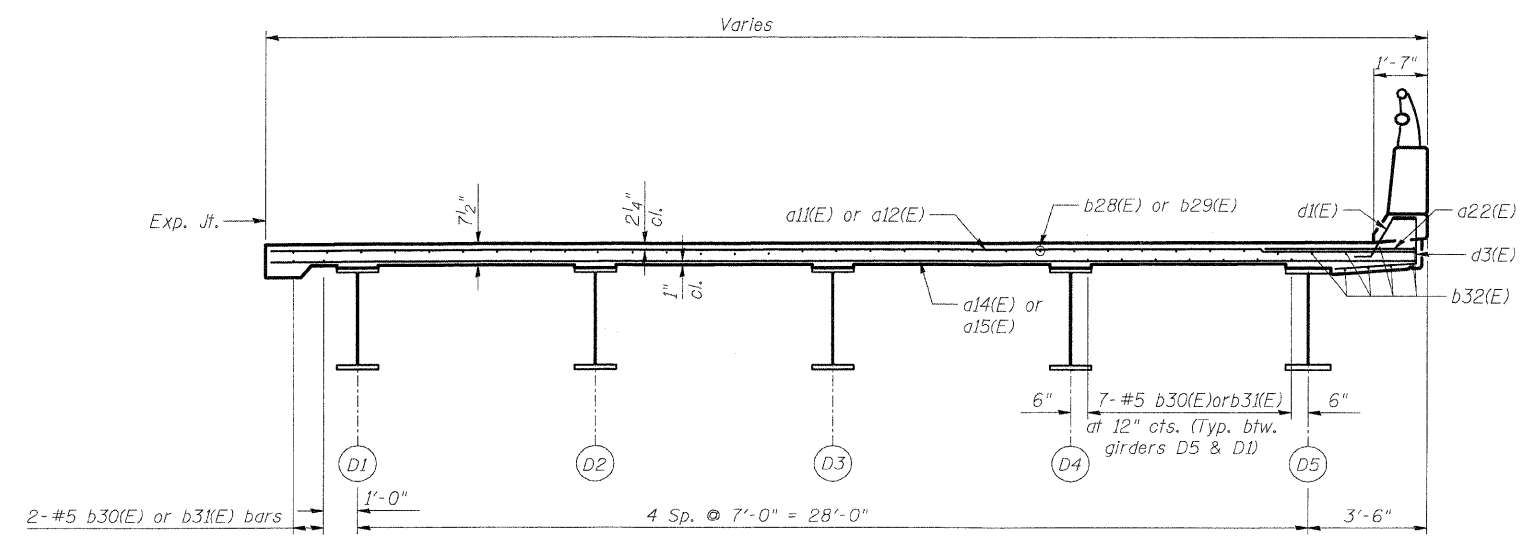


F.A.I. RTE.	SECTION	COUNTY	TOTAL SHEETS	SHEET NO.
70	60-10K-1,60-10HB	MADISON	420	241
STA.		TO STA.		
FED. ROAD DIST. NO.		ILLINOIS FED. AID PROJECT		

CONTRACT NO. 76709



DECK CROSS SECTION J-J



DECK CROSS SECTION H-H

NOTES:

1. Reinforcement Bars designated (E) shall be epoxy coated.
2. For locations of sections H-H & J-J see Shfts. S-19 & S-20.

SHT. S-23 OF S-68



REVISIONS	
NAME	DATE

ILLINOIS DEPARTMENT OF TRANSPORTATION
 IL ROUTE 162 OVER I-55/70 IN TROY
 F.A.I ROUTE 70 SECTION 60-10K-1, 60-10HB
 MADISON COUNTY STATION 499+48.35
 STRUCTURE NO. 060-0338

DECK CROSS SECTIONS - RAMPS C & D
 DESIGNED: BTO
 CHECKED: JAW
 DATE: 03/06
 DRAWN: BTO
 CHECKED: JAW