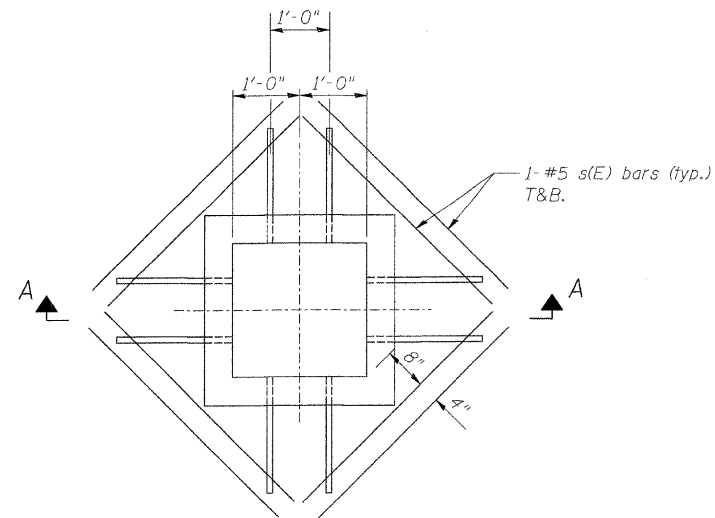
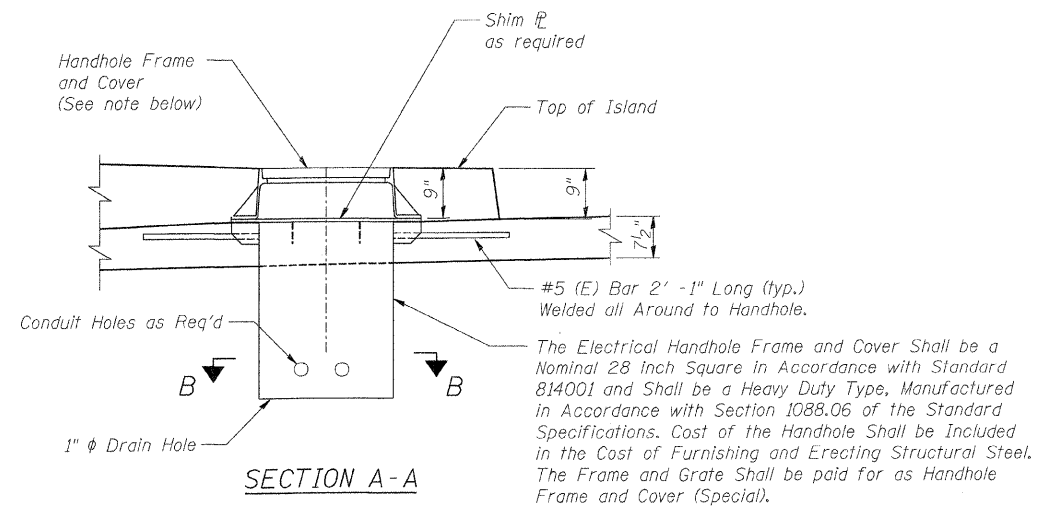


F.A.I. RTE.	SECTION	COUNTY	TOTAL SHEETS	SHEET NO.
70	60-10K-1,60-10HB	MADISON	420	243
STA.	TO STA.			
FED. ROAD DIST. NO.	ILLINOIS	FED. AID PROJECT		

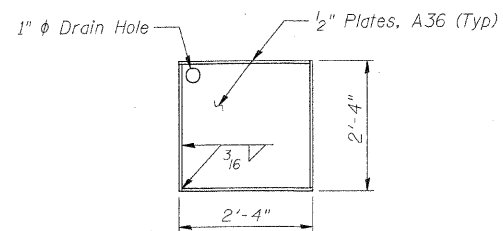
CONTRACT NO. 76709



PLAN



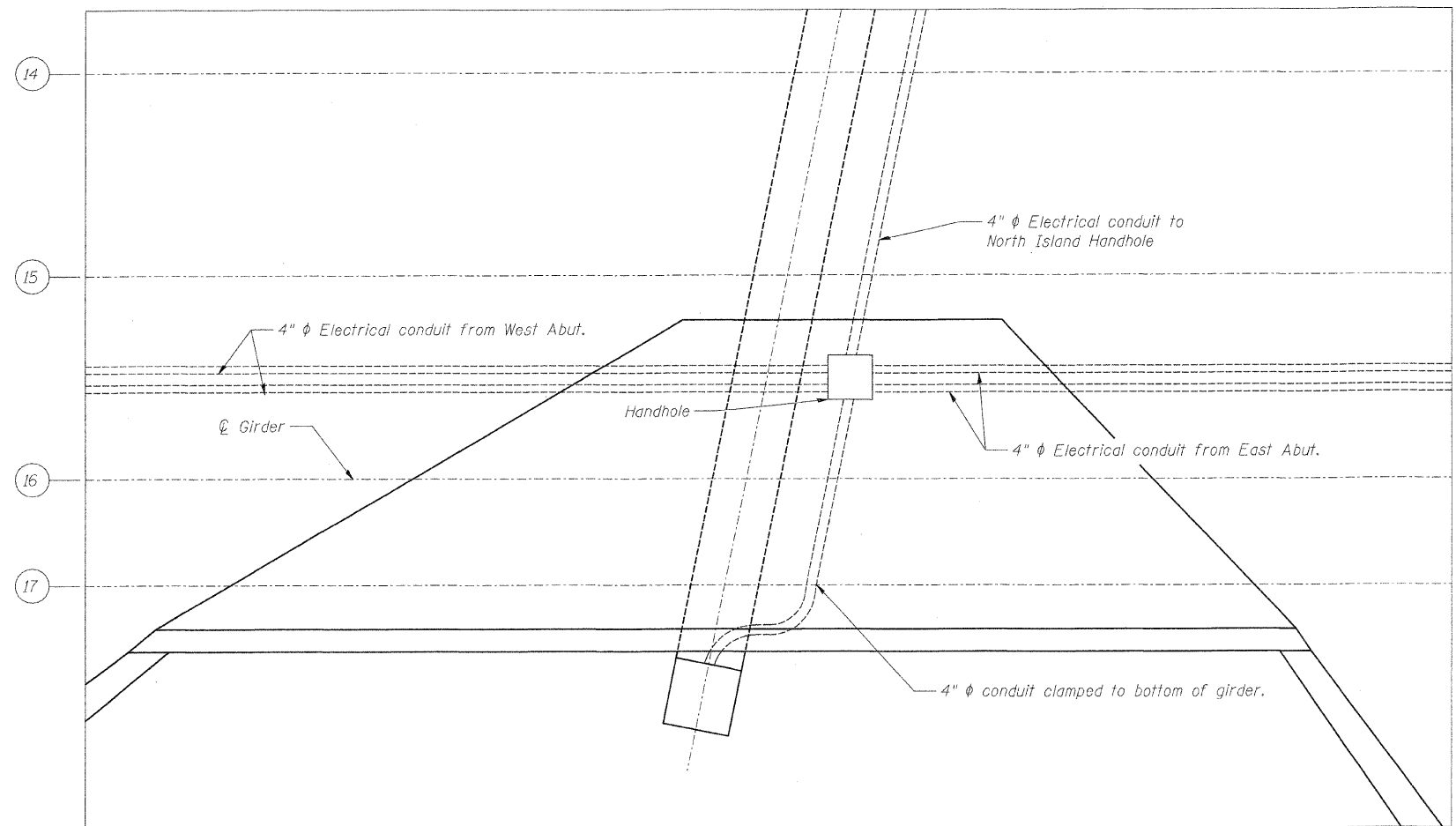
SECTION A-A  
HANDHOLE INSTALLATION



SECTION B-B

**NOTE:**

The Handhole and Handhole Frame and Cover shall be installed level. The deck and sidewalk concrete shall be placed to match the flange plate of the handhole and the rim of the frame and cover.



PLAN - CONDUIT LOCATION  
South end shown, North end similar

SHT. S-25 OF S-68



REVISIONS	
NAME	DATE

ILLINOIS DEPARTMENT OF TRANSPORTATION  
IL ROUTE 162 OVER I-55/70 IN TROY  
F.A.I ROUTE 70 SECTION 60-10K-1, 60-10HB  
MADISON COUNTY STATION 499+48.35  
STRUCTURE NO. 060-0338

ELECTRICAL DETAILS

DESIGNED: BTO      DRAWN: BTO  
CHECKED: BG      CHECKED: BG  
DATE: 03/06