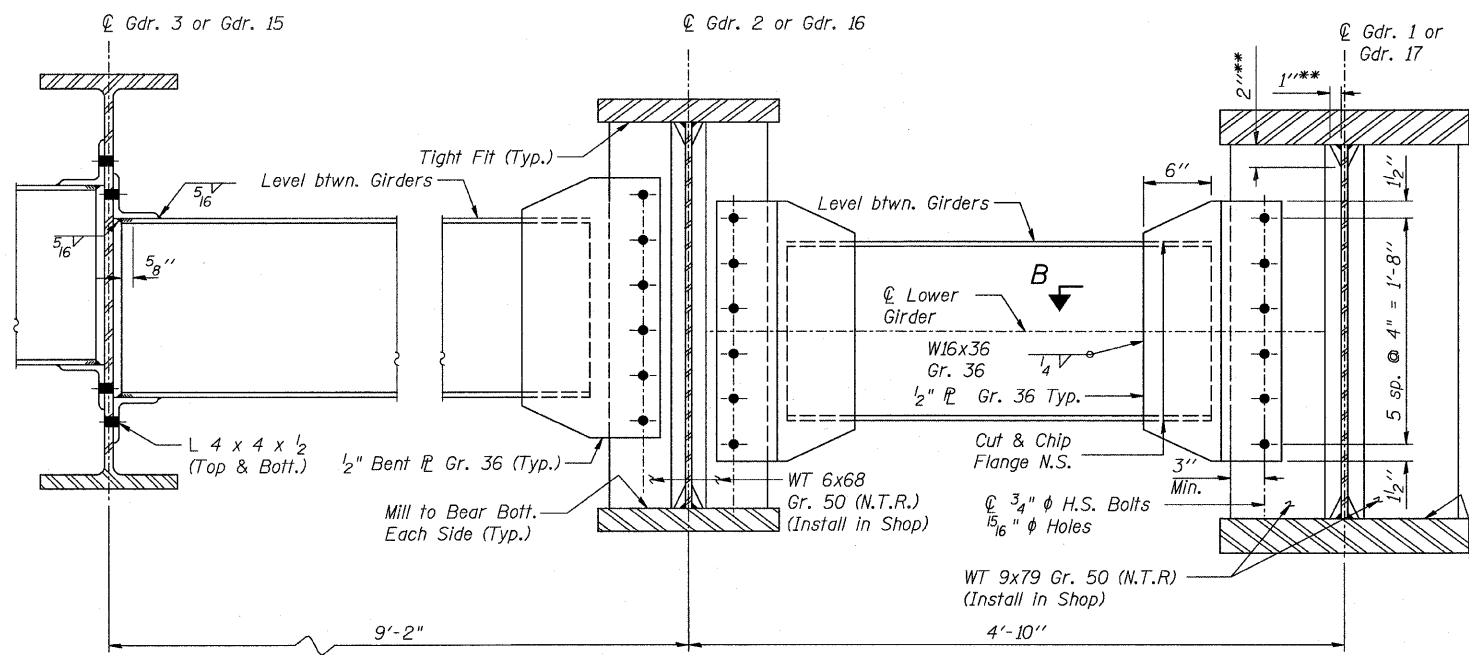


F.A.I. RTE.	SECTION	COUNTY	TOTAL SHEETS	SHEET NO.
70	60-10K-1,60-10HB	MADISON	420	266
STA.	TO STA.			
FED. ROAD DIST. NO.	ILLINOIS	FED. AID PROJECT		

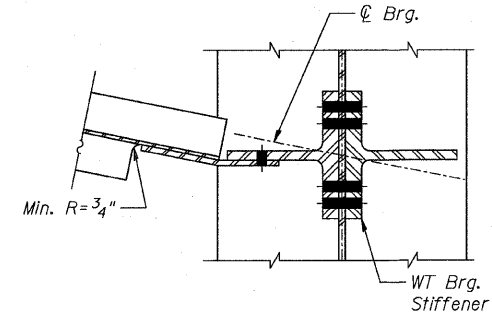
CONTRACT NO. 76709



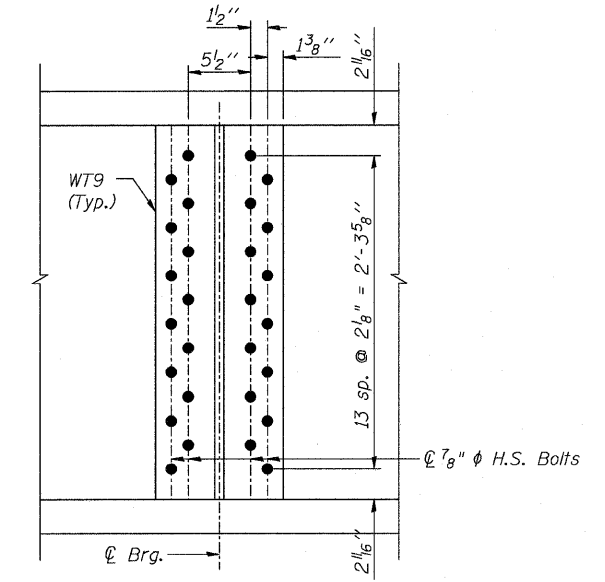
**DIAPHRAGM D9**  
(2-Required)

**DIAPHRAGM D8**  
(2-Required)

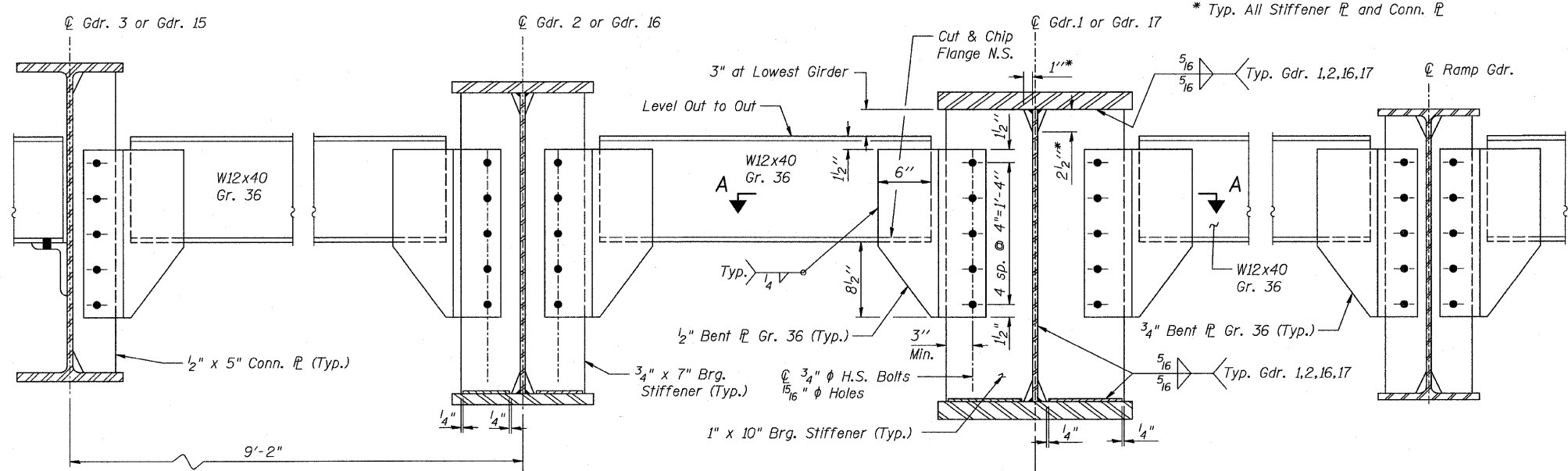
\*\* Typ. All WT Stiffeners and WT Connectors



**SECTION B-B**



**GIRDER 1 & 17 BRG. STIFFENER  
DETAIL AT PIER**

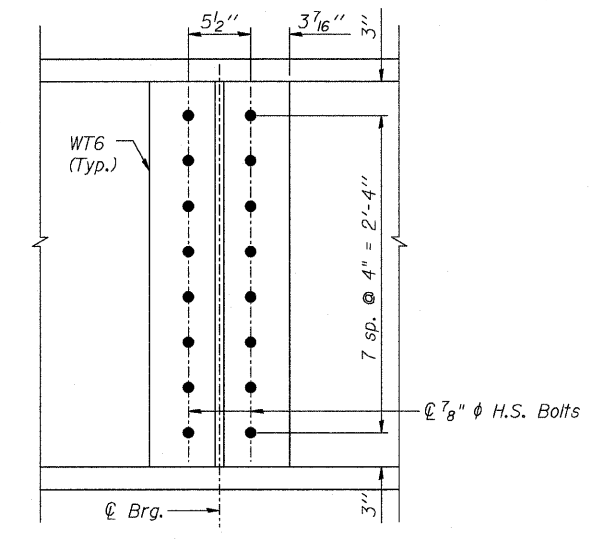


**END DIAPHRAGM D2**  
(4-Required)

**END DIAPHRAGM D11, D14, D17**  
(4-Required)

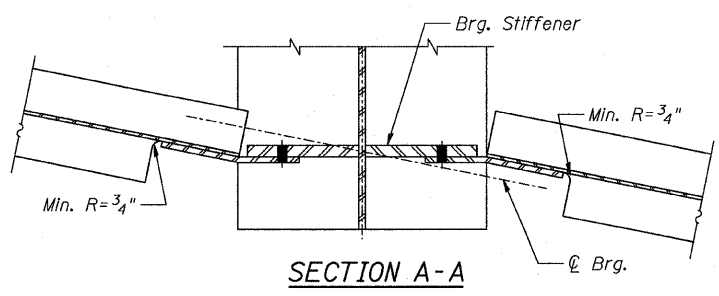
D11 (1-Required)  
D14 (2-Required)  
D17 (1-Required)

\* Typ. All Stiffener P and Conn. P



**GIRDER 2 & 16 BRG. STIFFENER  
DETAIL AT PIER**

Notes:  
1. Two hardened washers shall be required over all oversize holes for diaphragms.  
2. All cross frames or diaphragms between beams or girders shall be installed with erection pins and bolts in accordance with the erection plan approved by the Engineer. Individual cross frames or diaphragms at supports may be temporarily disconnected to install bearing anchor rods.



**SECTION A-A**

SHT. S-48 OF S-68



REVISIONS	
NAME	DATE

ILLINOIS DEPARTMENT OF TRANSPORTATION  
IL ROUTE 162 OVER I-55/70 IN TROY  
F.A.I ROUTE 70 SECTION 60-10K-1, 60-10HB  
MADISON COUNTY STATION 499+48.35  
STRUCTURE NO. 060-0338  
STEEL DETAILS  
DIAPHRAGMS & BEARING STIFFENERS  
DESIGNED: BTO DRAWN: BTO  
CHECKED: JAN CHECKED: JAN  
DATE: 03/06