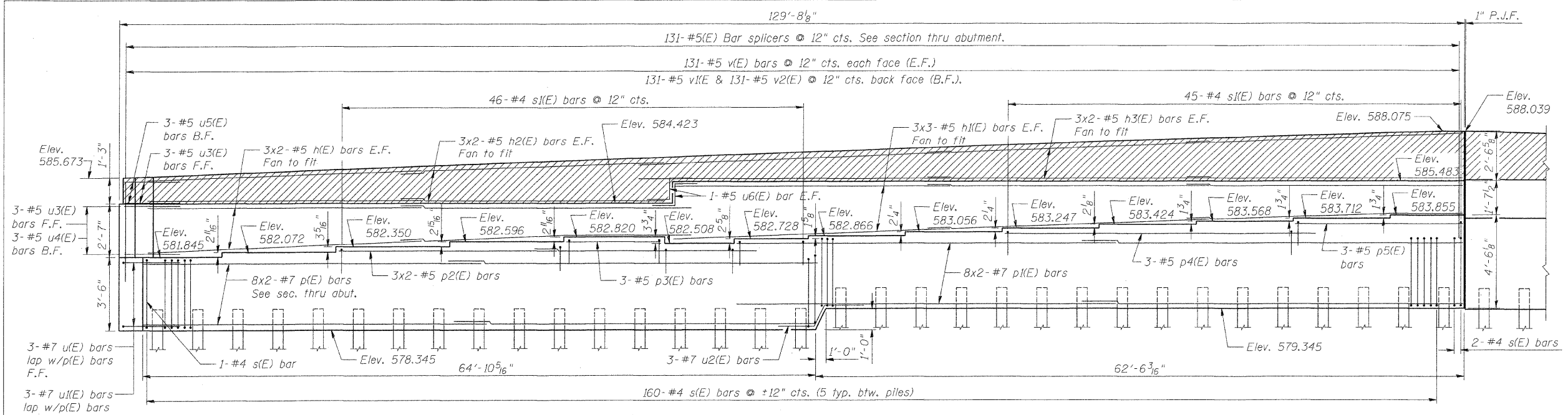


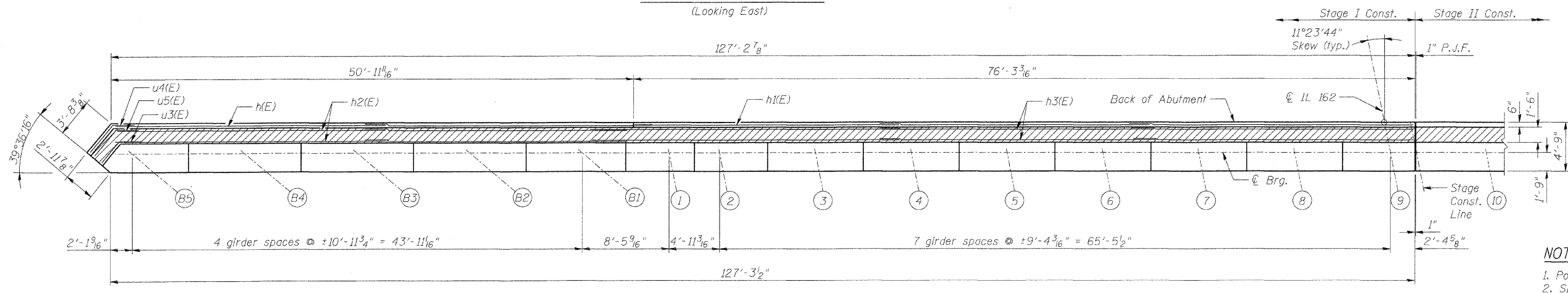
F.A.I. ROUTE	SECTION	COUNTY	TOTAL SHEETS	SHEET NO.
60-10K-1,60-10HB	MADISON	420	271	
STA.	TO STA.			
FED. ROAD DIST. NO.	ILLINOIS FED. AID PROJECT			
CONTRACT NO. 76709				



ELEVATION - STAGE I
(Looking East)

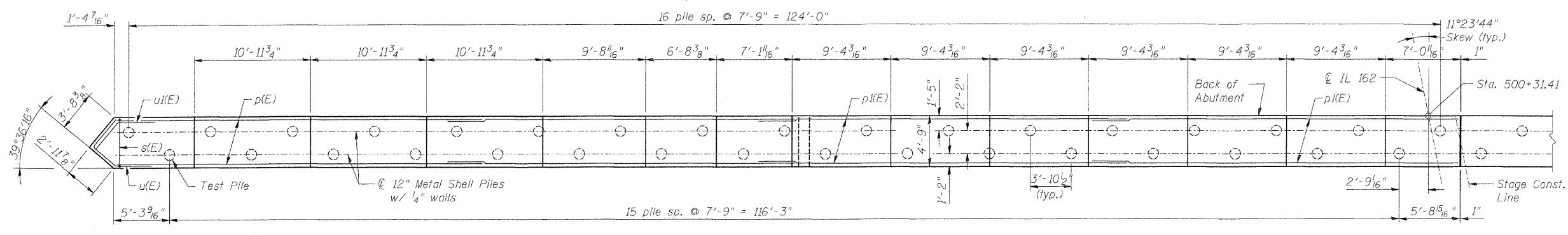
PILE DATA
Type: 12" ϕ Metal Shell, w/ 1/4" wall
Nominal Required Bearing: 355 kips
Allowable Resistance Available: 80 kips
Est. Length: 86 ft
No. Required: 32 plus 1 Test Pile

The metal Shell piles shall be according to ASTM A252 Grade 3.



TOP VIEW - STAGE I

- NOTES:**
1. Pour steps monolithically with abutment.
 2. Space reinforcement in cap to miss anchor bolts.
 3. Bars designated (E) shall be epoxy coated.
 4. F.F. indicates Front Face
E.F. indicates Each Face
B.F. indicates Back Face
 5. For Bill of Material, sections and details, see Sht. S-55.



PILE CAP PLAN - STAGE I

Min. Lap
#5 bars = 2'-2"
#7 bars = 3'-5"

SHT. S-53 OF S-68

STV Incorporated
Engineers/Architects/Planners/Construction Managers
200 W. Monroe Street, Suite 1650
Chicago, IL 60606-5015
312/553-0655, FAX 312/553-0661

REVISIONS	
NAME	DATE

ILLINOIS DEPARTMENT OF TRANSPORTATION
IL ROUTE 162 OVER I-55/70 IN TROY
F.A.I ROUTE 70 SECTION 60-10K-1, 60-10HB
MADISON COUNTY STATION 499+48.35
STRUCTURE NO. 060-0338

EAST ABUTMENT PLAN & ELEVATION - STAGE I

DESIGNED: BTO DRAWN: BTO
CHECKED: JAN CHECKED: JAW
DATE: 03/06