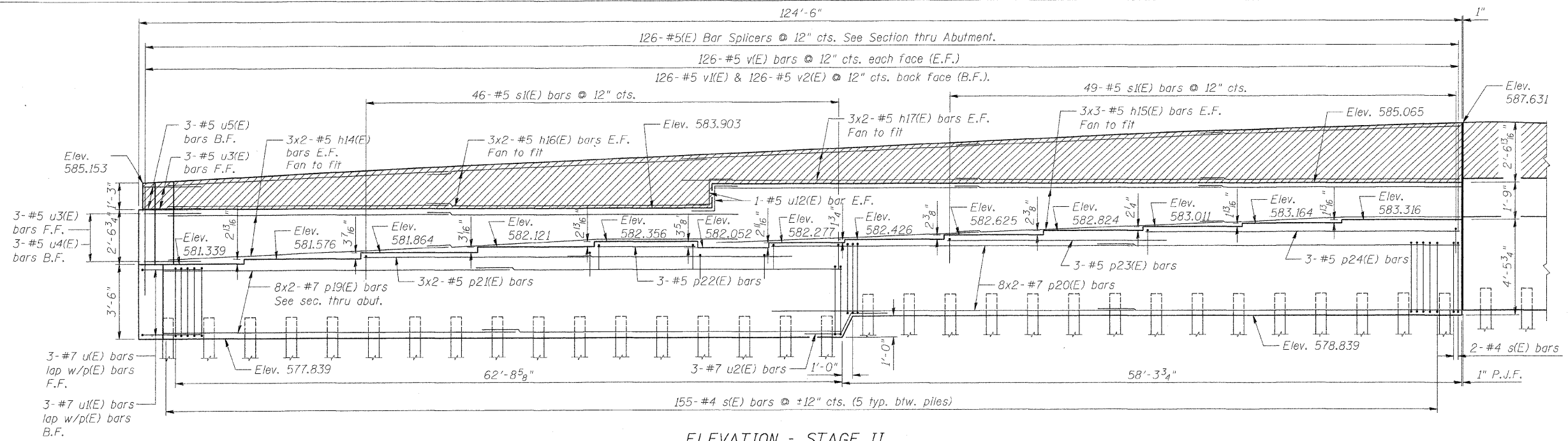


F.A.I. RTE.	SECTION	COUNTY	TOTAL SHEETS	SHEET NO.
70	60-10K-1,60-10HB	MADISON	420	275
STA.	TO STA.			
FED. ROAD DIST. NO.	ILLINOIS	FED. AID PROJECT		

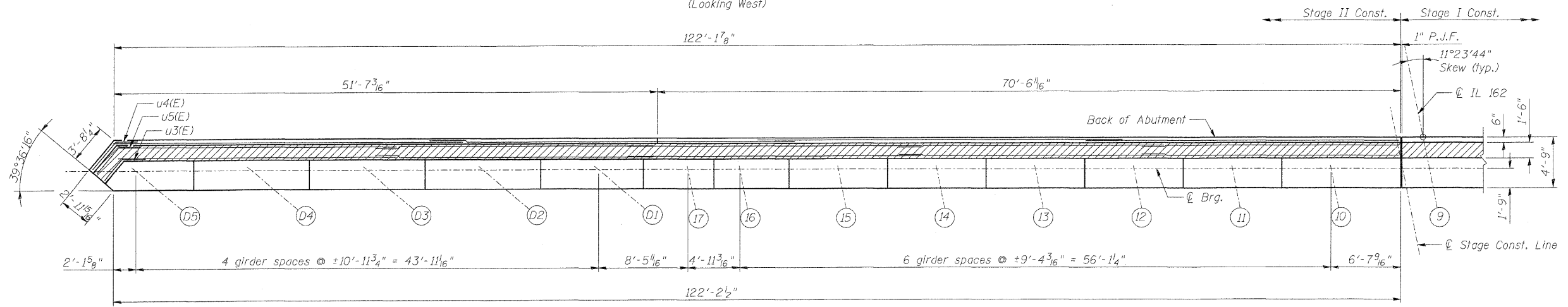
CONTRACT NO. 76709



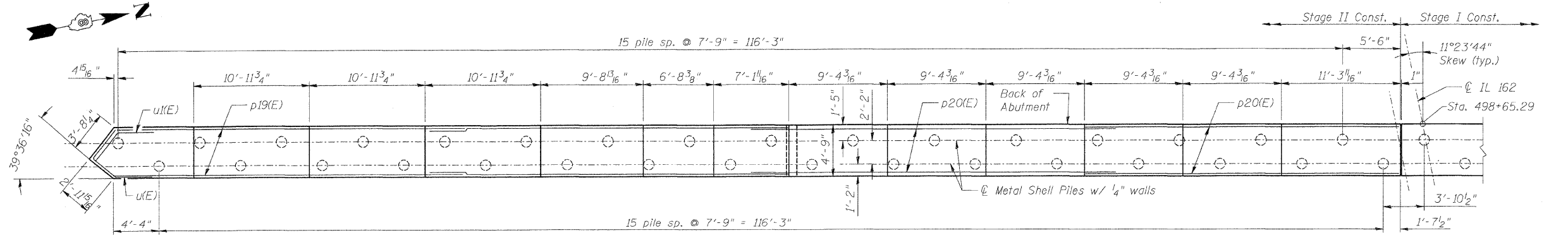
ELEVATION - STAGE II
(Looking West)

PILE DATA
Type: 12" ϕ Metal Shell, w/ $\frac{1}{4}$ " wall
Nominal Required Bearing: 355 kips
Allowable Resistance Available: 80 kips
Est. Length: 86 ft
No. Required: 32

The Metal Shell piles shall be according to ASTM A252 Grade 3.



TOP VIEW - STAGE II



PILE CAP PLAN - STAGE II

NOTE:
1. For notes, see Sht. S-56.

REVISIONS	
NAME	DATE

ILLINOIS DEPARTMENT OF TRANSPORTATION
IL ROUTE 162 OVER I-55/70 IN TROY
F.A.I ROUTE 70 SECTION 60-10K-1, 60-10HB
MADISON COUNTY STATION 499+48.35
STRUCTURE NO. 060-0338

WEST ABUTMENT PLAN & ELEVATION - STAGE II

DESIGNED: JAW DRAWN: BTO
CHECKED: BTO CHECKED: JAW

DATE: 03/06

SHT. S-57 OF S-68

STV Incorporated
Engineers/Architects/Planners/Construction Managers
200 W. Monroe Street, Suite 1650
Chicago, IL 60606-5015
312/553-0655, FAX 312/553-0661