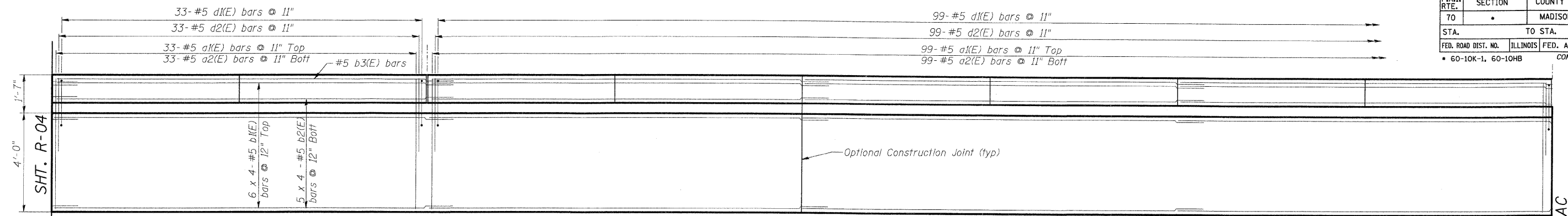
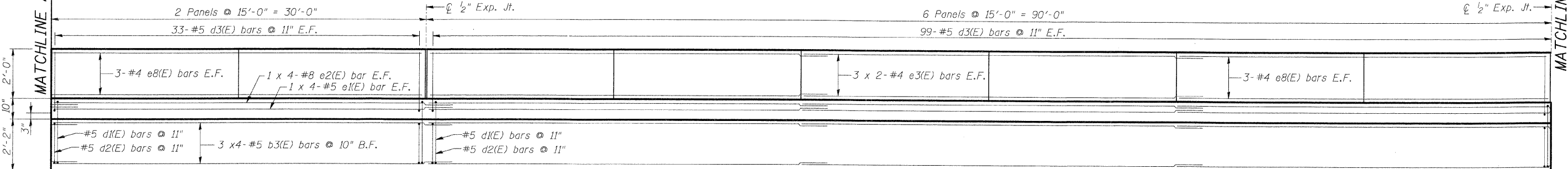


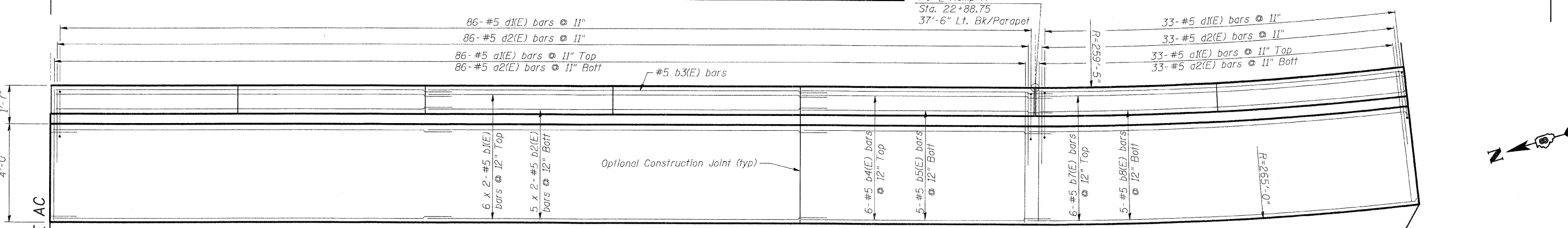
| | | | | |
|---------------------|--------------------|------------------|--------------|-----------|
| F.A.I. RTE. | SECTION | COUNTY | TOTAL SHEETS | SHEET NO. |
| 70 | . | MADISON | 420 | 291 |
| STA. | TO STA. | | | |
| FED. ROAD DIST. NO. | ILLINOIS | FED. AID PROJECT | | |
| 60-10K-1, 60-10HB | CONTRACT NO. 76709 | | | |



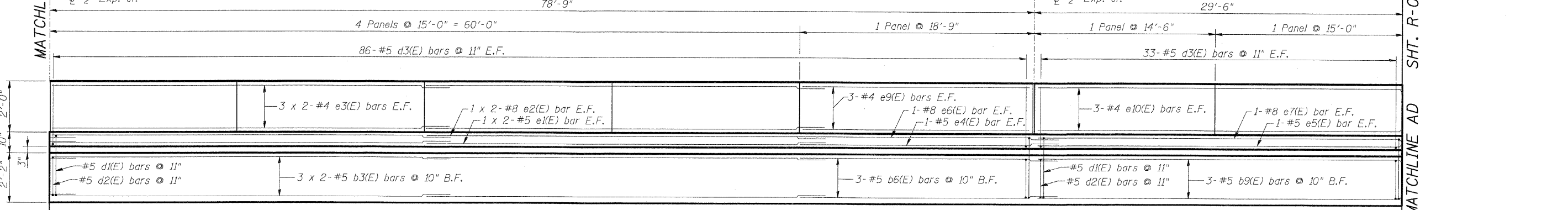
SHOULDER PLAN



INSIDE PARAPET ELEVATION



SHOULDER PLAN



INSIDE PARAPET ELEVATION

MIN. BAR LAP

- #4 - 1'-4"
- #5 - 2'-2"
- #8 - 4'-6"

Sht. R-05 of R-14

STV Incorporated
 Engineers/Architects/Planners/Construction Managers
 200 W. Monroe Street, Suite 1650
 Chicago, IL 60609-2015
 312.553-0655, FAX 312.553-0661

| REVISIONS | |
|-----------|------|
| NAME | DATE |
| | |
| | |
| | |
| | |
| | |
| | |
| | |
| | |
| | |
| | |

ILLINOIS DEPARTMENT OF TRANSPORTATION
 IL ROUTE 162 OVER I-55/70 IN TROY
 F.A.I ROUTE 70 SECTION 60-10K-1, 60-10HB
 MADISON COUNTY STA. 18+50 TO STA. 17+00
 STRUCTURE NO. 060-W004

**PARAPET ELEVATIONS & SHOULDER PLANS
 RAMP A**

DATE: 05/2006
 DRAWN BY: KM
 CHECKED BY: BJB

