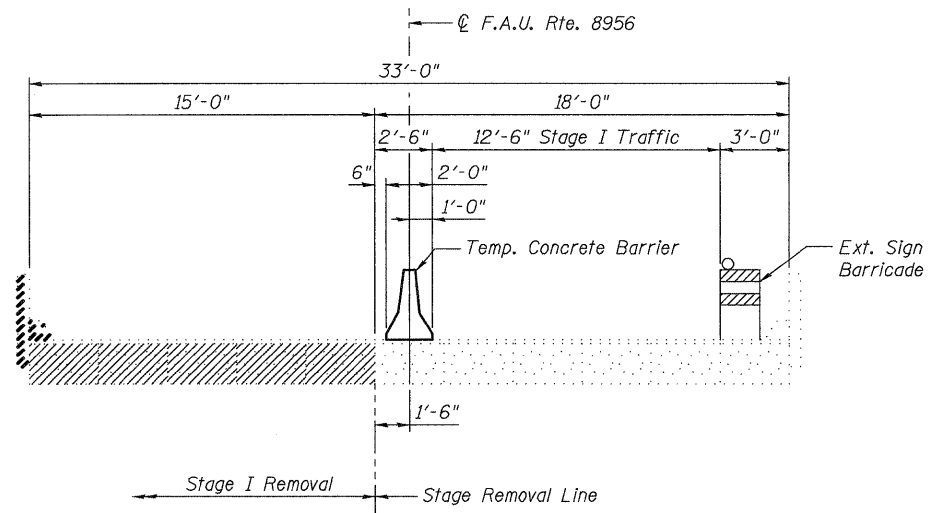
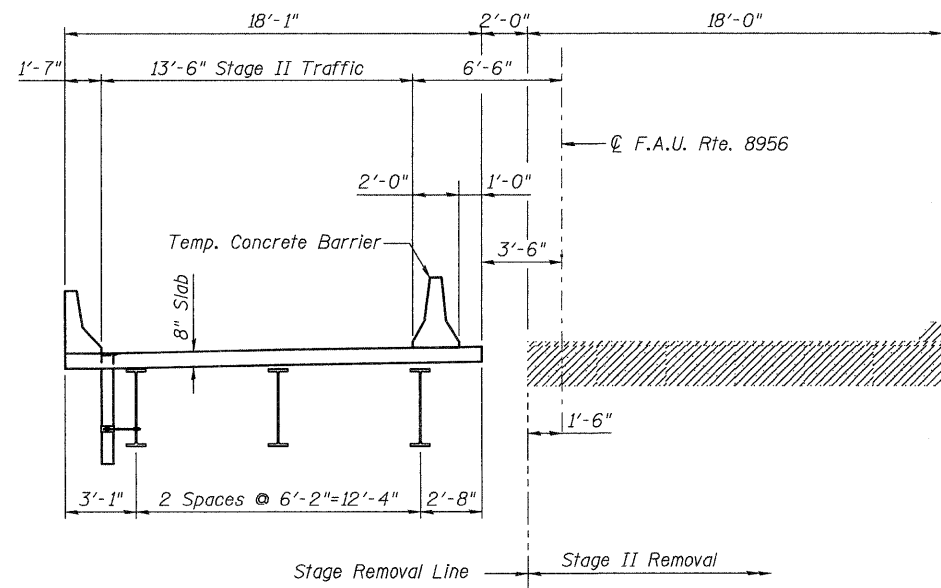


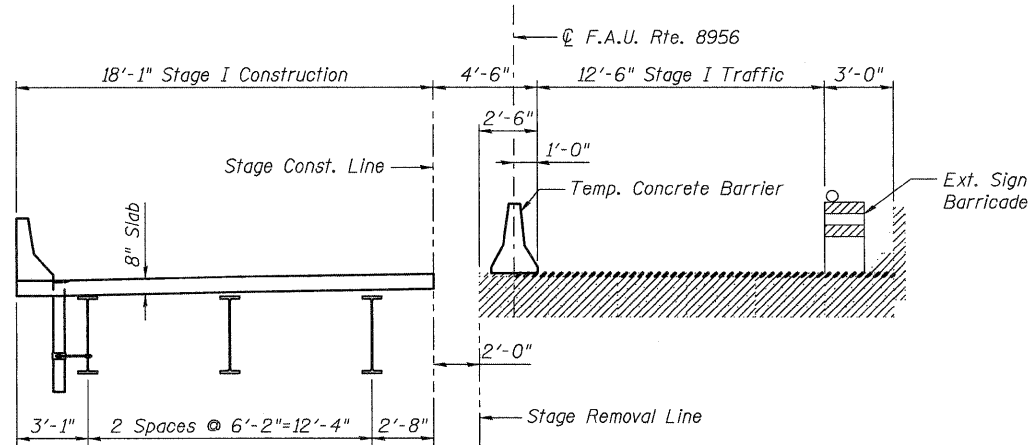
STATE OF ILLINOIS  
DEPARTMENT OF TRANSPORTATION



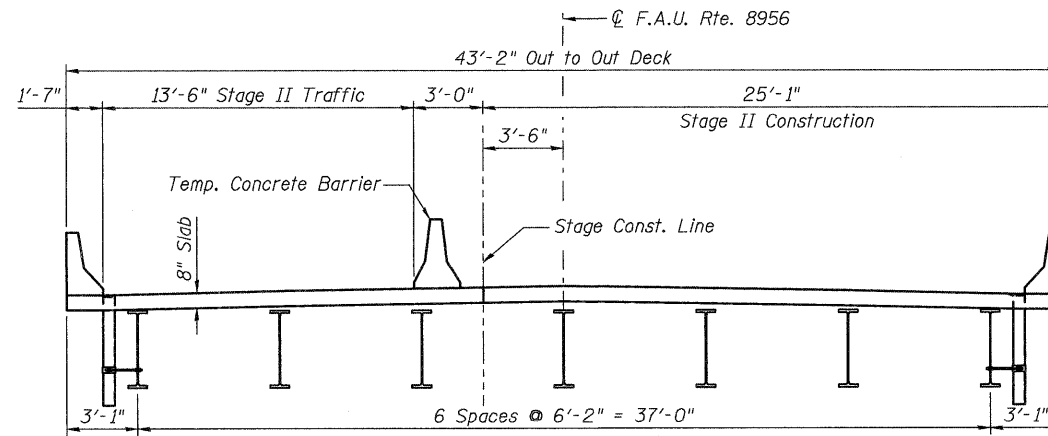
**STAGE 1 REMOVAL**  
(Looking East)



**STAGE 2 REMOVAL**  
(Looking East)



**STAGE 1 CONSTRUCTION**  
(Looking East)



**STAGE 2 CONSTRUCTION**  
(Looking East)

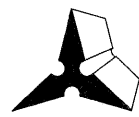
**STAGE CONSTRUCTION**  
**ILLINOIS ROUTE 3 OVER**  
**PIASA CREEK**  
**F.A.U. ROUTE 8956 SEC 59BR-1**  
**MADISON COUNTY**  
**STATION 638+11.00**  
**STRUCTURE NO. 060-0343**

Notes:

Hatched area indicates "Removal of Existing Structures".

For quantity of Temporary Concrete Barrier, see Roadway Plans.

DESIGNED	DB
CHECKED	RS
DRAWN	ER
CHECKED	WWH



**Juneau Associates, Inc. P.C.**  
CONSULTING ENGINEERS AND LAND SURVEYORS  
2100 State Street  
Granite City, Illinois 62040  
Phone: (618) 977-1400  
Fax: (618) 462-6641  
100 North Research Drive  
Edwardsville, Illinois 62025  
Phone: (618) 659-0900 / (618) 659-0800  
Fax: (618) 659-0941  
Registered Professional Service Corporation License No. 184-003389

SHEET NO. 3 28 SHEETS	F.A.U. RTE.	SECTION	COUNTY	TOTAL SHEETS	SHEET NO.
	8956	59BR-1	MADISON	75	32
STRUCTURE NO. 060-0343			CONTRACT NO. 76B18		
FED. ROAD DIST. NO.		ILLINOIS	FED. AID PROJECT		