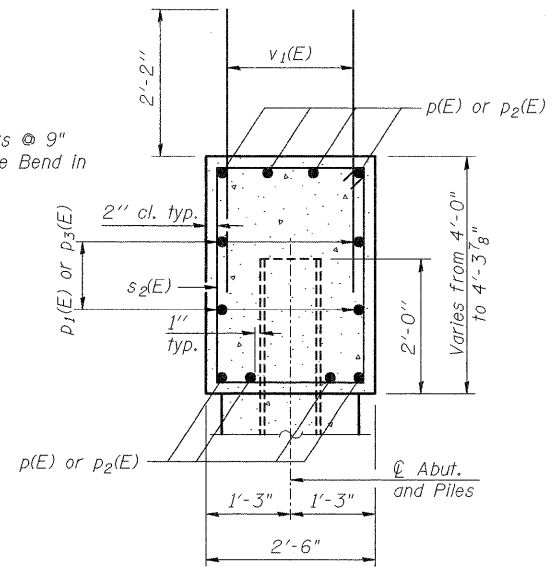
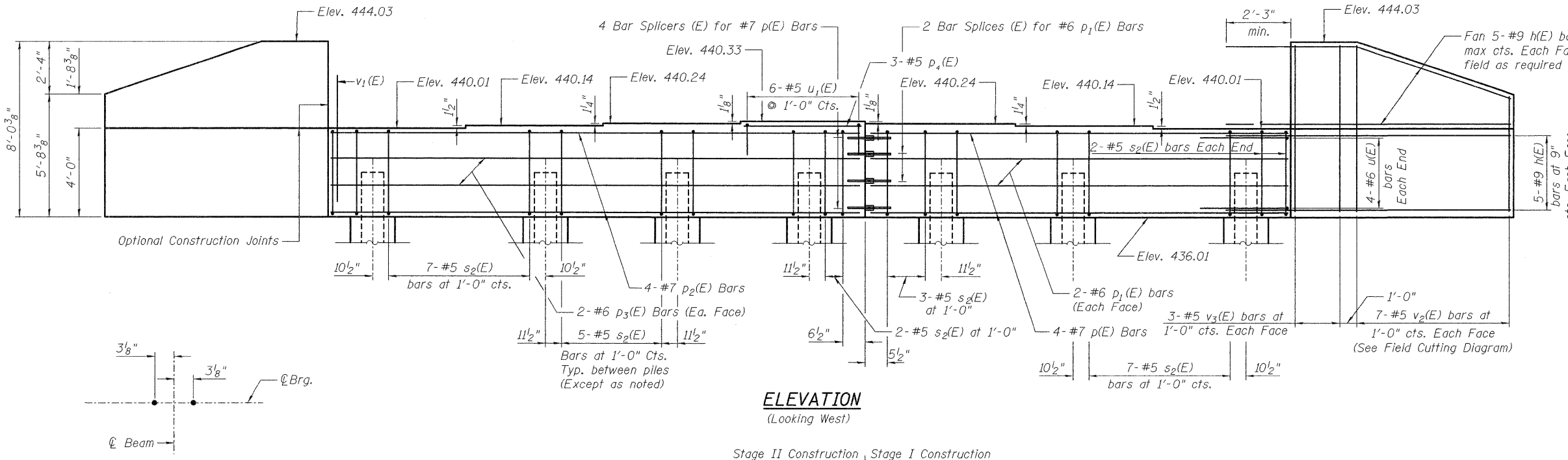


Notes: Four steps monolithically with cap.

STATE OF ILLINOIS
DEPARTMENT OF TRANSPORTATION



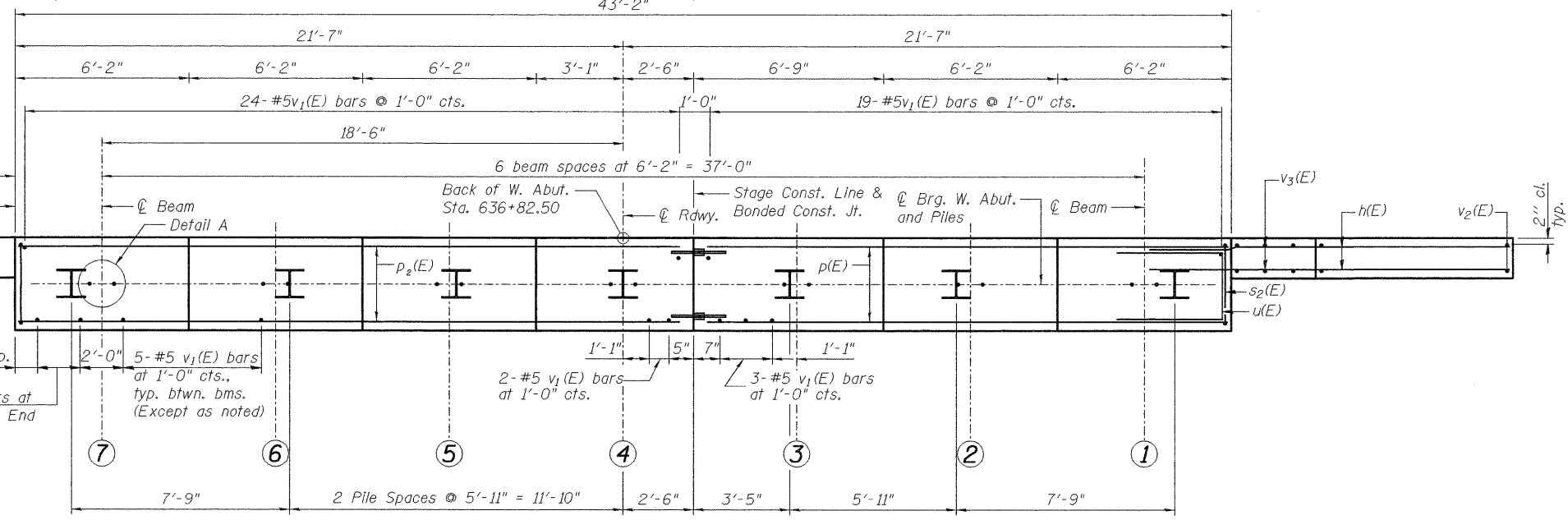
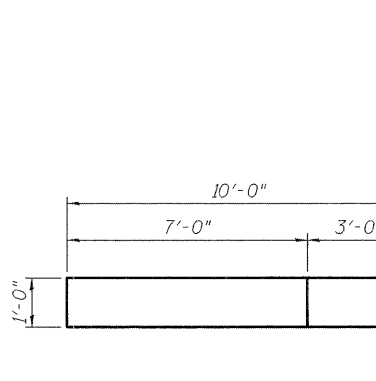
**WEST ABUTMENT
BILL OF MATERIAL**

Bar	No.	Size	Length	Shape
h(E)	40	#9	12'-6"	—
p (E)	8	#7	18'-10"	—
p ₁ (E)	4	#6	18'-10"	—
p ₂ (E)	8	#7	23'-10"	—
p ₃ (E)	4	#6	23'-10"	—
p ₄ (E)	3	#5	5'-4"	—
s ₂ (E)	38	#5	12'-7"	□
u(E)	8	#6	8'-1"	—
u ₁ (E)	6	#5	4'-2"	—
v ₁ (E)	79	#5	4'-4"	—
v ₂ (E)	14	#5	13'-0"	—
v ₃ (E)	12	#5	7'-8"	—
Structure Excavation		Cu. Yd.	136	
Concrete Structures		Cu. Yd.	22.0	
Reinforcement Bars, Epoxy Coated		Pound	3940	
Furnishing Steel		Foot	468	
Piles HP12x53		Foot	468	
Test Pile Steel HP12x53		Each	1	
Concrete Encasement		Cu. Yd.	2.5	
Bar Splicers		Each	12	
Pile Shoes		Each	7	

For details of Bar Splicers, see sheet 24 of 28.
For HP Pile Details, see sheet 22 of 28.
Space reinforcement in cap to miss anchor bolts.

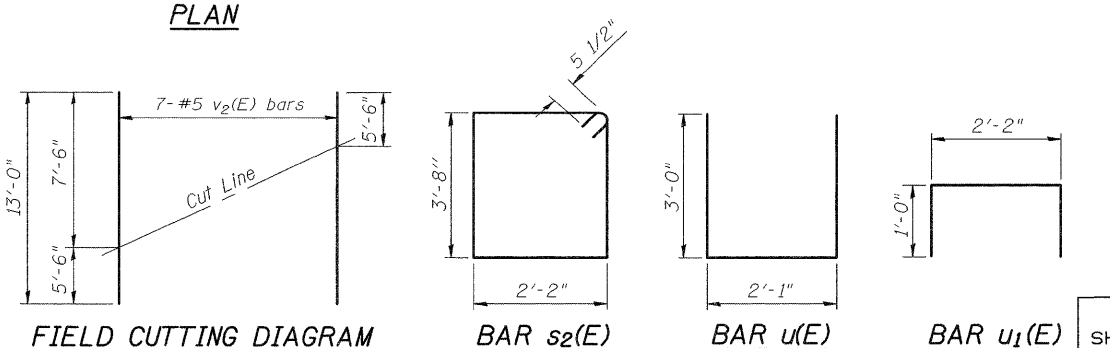
**WEST ABUTMENT
ILLINOIS ROUTE 3 OVER
PIASA CREEK
F.A.U. ROUTE 8956 SEC 59BR-1
MADISON COUNTY
STATION 638+11.00
STRUCTURE NO. 060-0343**

DETAIL A



PILE DATA

Type: HP 12x53
Nominal Required Bearing: 340 kips
Factored Resistance Available: 170 kips
Est. Length: 78 ft.
No. Production Piles: 6
No. Test Piles: 1



Order v₂(E) full length. Cut as shown and use remainder of bars in opposite face.

DESIGNED	DB
CHECKED	RS
DRAWN	ER
CHECKED	WWH

Juneau Associates, Inc. P.C.
CONSULTING ENGINEERS AND LAND SURVEYORS

2100 State Street
Granite City, Illinois 62040
Phone: (618) 977-1400
Fax: (618) 457-5541
Registered Professional Service Corporation License No. 184-003389

100 North Research Drive
Edwardsville, Illinois 62026
Phone: (618) 658-0000 (618) 658-0000
Fax: (618) 658-0041

SHEET NO. 16 28 SHEETS	F.A.U. RTE.	SECTION	COUNTY	TOTAL SHEETS	SHEET NO.
	8956	59BR-1	MADISON		45
STRUCTURE NO. 060-0343		CONTRACT NO. 76B18			
FED. ROAD DIST. NO.		ILLINOIS		FED. AID PROJECT	