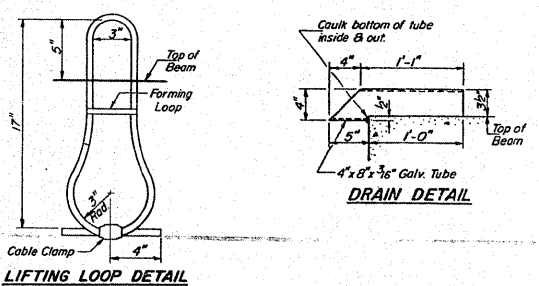
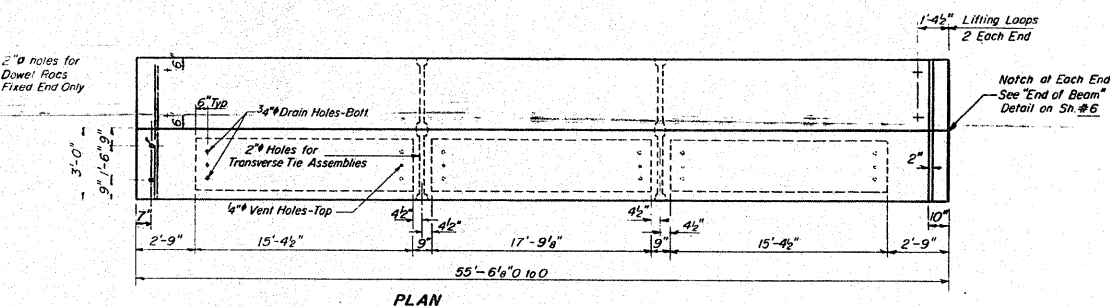
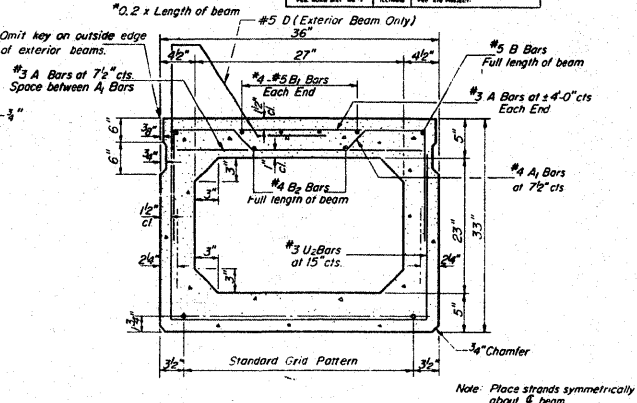
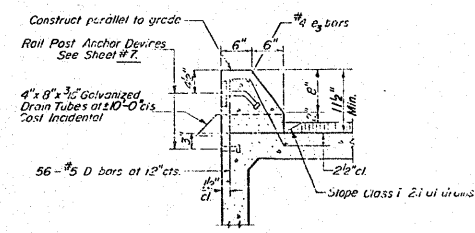
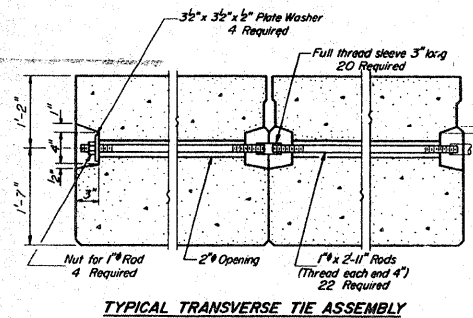
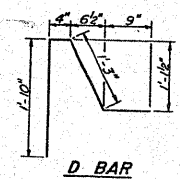
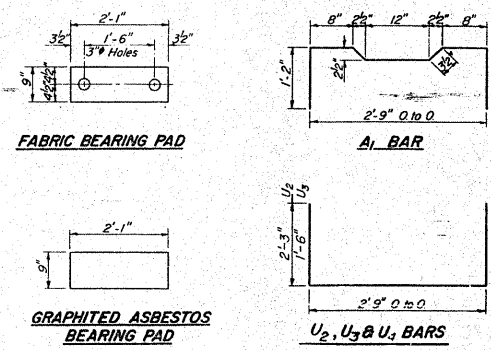


STATE OF ILLINOIS  
DEPARTMENT OF TRANSPORTATION

PROJECT NO.	SECTION	COUNTY	SHEETS	SHEET NO.
8956	59BR	Madison	21	16
10 SHEETS				



DESIGNED	Paul K... 4	EXAMINED	See 4 10)
CHECKED	K. E. L...	PASSED	
DRAWN	P. Barnett	APPROVED	
CHECKED	Y/C		

PD-3-S 7-15-75

**NOTES**  
Prestressing steel shall be non-galvanized high strength, stress-relieved 7-wire strand, Grade 270. The nominal diameter shall be 1/2" and the nominal cross-sectional area shall be 0.155 sq. in. Lifting loops shall be 3/4" diameter, 6 x 25 class wire rope with fiber core and shall have a minimum ultimate tensile strength of 33,000 lbs. The 1" rods in the transverse tie assembly shall be tightened to a snug fit and the threads set. Pockets that receive transverse tie bar on outside shall be filled with grout after transverse tie assembly is in place. Longitudinal shear keys shall be packed with a very dry mix of 2-1 sand and P.C. mortar. After beams have been erected, holes for the dowel anchors shall be drilled into the sub-structure and the anchor dowels shall be grouted in place.

**BILL OF MATERIAL**

Bar	No	Size	Length	Shape
a	6	#5	32'-6"	
Precast Prestressed Concrete Deck Beams	Sq Ft		1832	
Reinforcement Bars	Pounds		200	
Class X Concrete	Cu Yds		1.5	

**SUPERSTRUCTURE**  
**SPAN #4 33" x 36" BEAMS**  
**S.B.I. RT. 3 SECTION 59 BR**  
**MADISON COUNTY**  
**STA. 638+00**

FOR INFORMATION ONLY

FILE NAME =	USER NAME = harbaughrd	DESIGNED -	REVISED -	STATE OF ILLINOIS DEPARTMENT OF TRANSPORTATION	EXISTING BRIDGE PLANS	F.A.U. RTE.	SECTION	COUNTY	TOTAL SHEETS	SHEET NO.	
os:\pwork\pwork\harbaughrd\dms52107\p...2106a.dgn	PLOT SCALE = 50.0000' / IN.	DRAWN -	REVISED -			8956	59BR-1	MADISON	75	62	
PLOT DATE = 1/23/2009	DATE -	CHECKED -	REVISED -			CONTRACT NO. 76B18					
						SCALE:	SHEET NO. 5 OF 9 SHEETS	STA.	TO STA.		FED. ROAD DIST. NO.