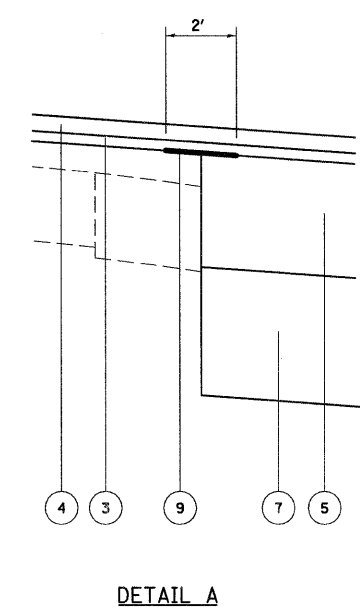
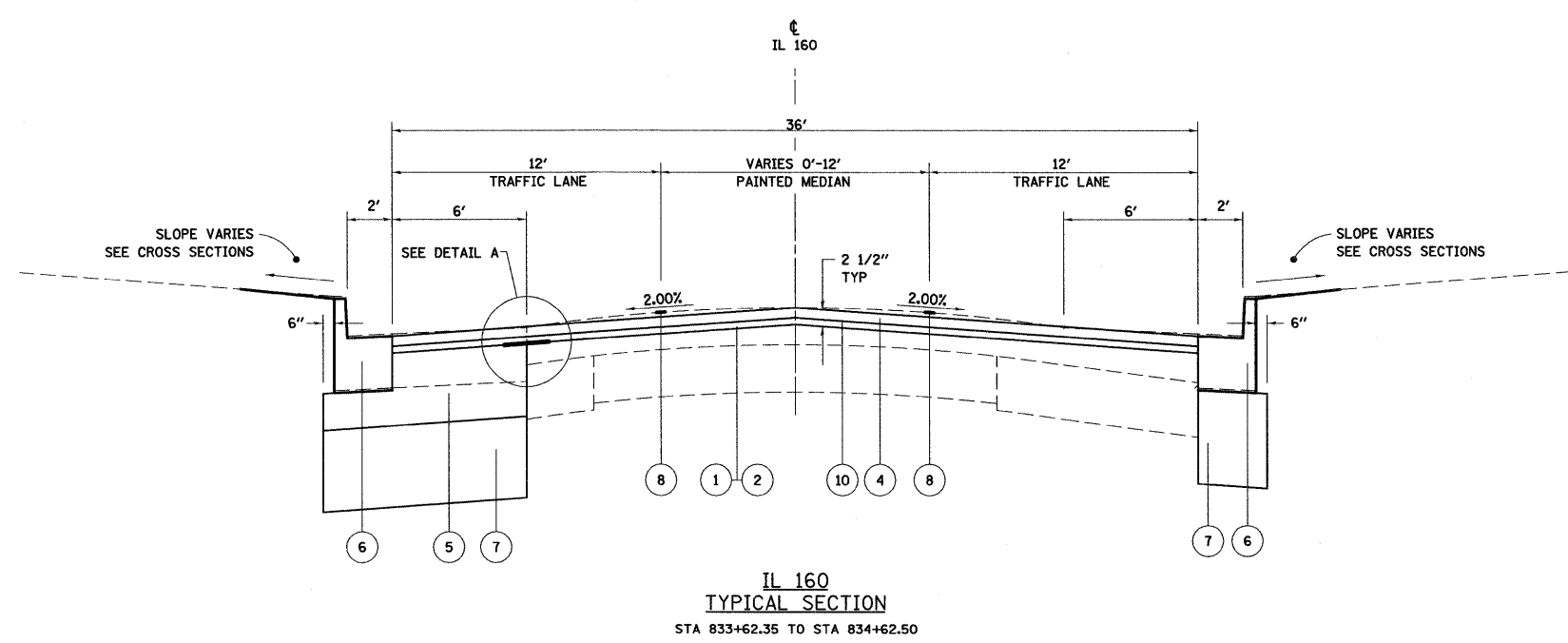


- PROPOSED LEGEND**
- ① PROPOSED BITUMINOUS MATERIALS (PRIME COAT)
 - ② PROPOSED AGGREGATE PRIME COAT
 - ③ PROPOSED LEVELING BINDER (MACHINE METHOD) N70, 3/4" AND VARIES (1/2" TO 2 1/2")
 - ④ PROPOSED HOT-MIX ASPHALT SURFACE COURSE N70, 1 1/2" AND VARIES
 - ⑤ PROPOSED HOT-MIX ASPHALT BASE COURSE, IL-19.0, N70, 11"
 - ⑥ PROPOSED CURB AND GUTTER, TYPE B-6.24
 - ⑦ PROPOSED SUB-BASE GRANULAR MATERIAL, TYPE A 12"
 - ⑧ PROPOSED PAVEMENT MARKING, LINE 4"
 - ⑨ PROPOSED STRIP REFLECTIVE CRACK CONTROL TREATMENT
 - ⑩ PROPOSED LEVELING BINDER (MACHINE METHOD) N70, 1"



FILE NAME =	USER NAME = paul	DESIGNED - JWS	REVISED -	STATE OF ILLINOIS DEPARTMENT OF TRANSPORTATION	PROPOSED TYPICAL SECTIONS, IL ROUTE 160	F.A.P. RTE. 690	SECTION 41X-RS-1	COUNTY MADISON	TOTAL SHEETS 58	SHEET NO. 10	
®FILEL*	PLOT SCALE = 20,0000' / IN.	DRAWN - WJS	REVISED -			SCALE:	SHEET NO. 1 OF 6 SHEETS	STA.	TO STA.	FED. ROAD DIST. NO.	ILLINOIS FED. AID PROJECT
	PLOT DATE = 1/13/2009	CHECKED - BRM	REVISED -								
		DATE - 9-30-08	REVISED -								CONTRACT NO. 76C35