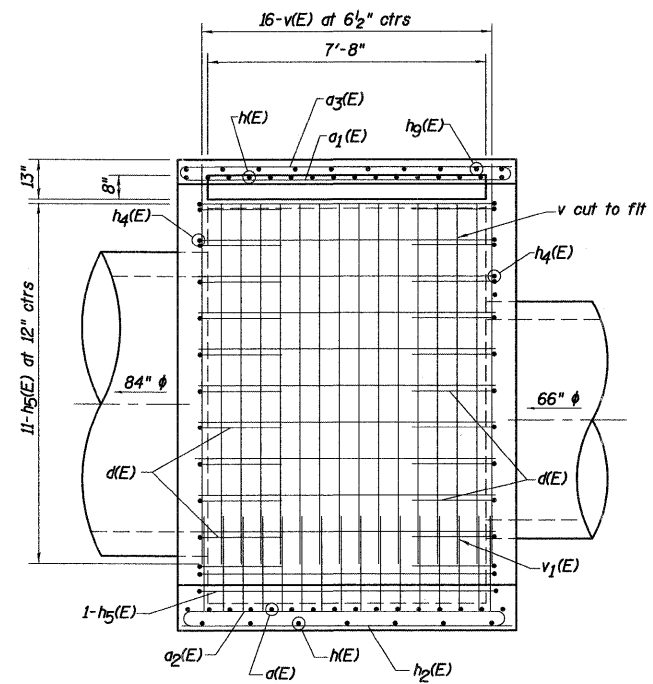
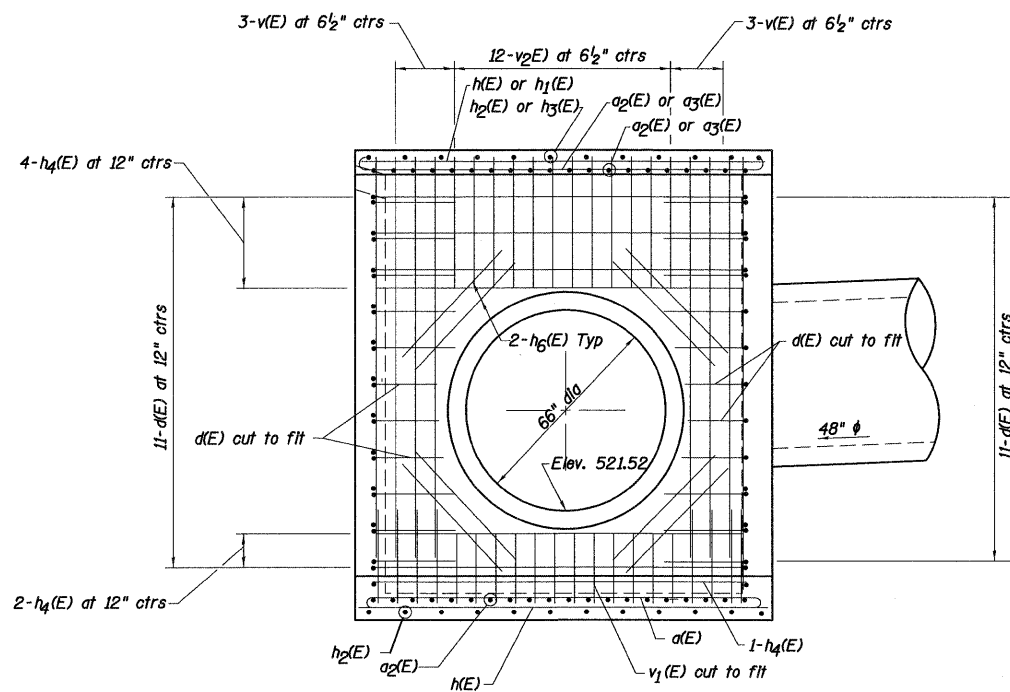


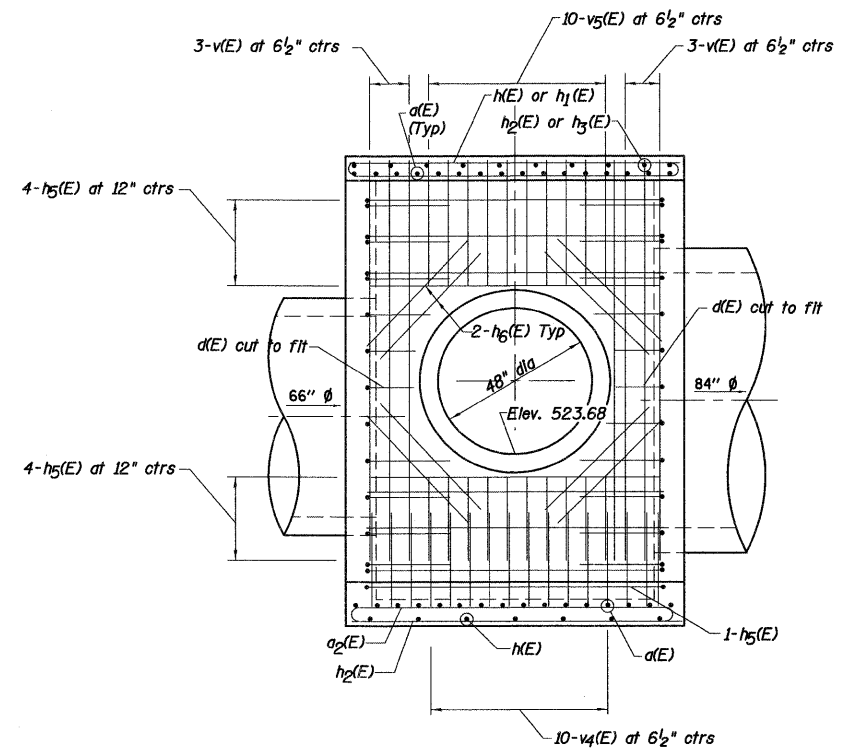
WALL A



WALL B



WALL C



WALL D

FILE NAME =	USER NAME = paul	DESIGNED - ESW	REVISED -	STATE OF ILLINOIS DEPARTMENT OF TRANSPORTATION	JUNCTION CHAMBER DETAIL			F.A.P. RTE. 690	SECTION 41X-RS-1	COUNTY MADISON	TOTAL SHEETS 58	SHEET NO. 42
S:\Projects\401-0029-RTY & 160 RIGHLAND\CAAD Sheets\10876C35-sh1-chamber.dgn	PLOT SCALE = 28.000' / IN.	DRAWN - WJS	REVISED -					SCALE: NONE	SHEET NO. 2 OF 2 SHEETS	STA. TO STA.	CONTRACT NO. 76C35	
	PLOT DATE = 1/13/2009	CHECKED - BRM	REVISED -		FED. ROAD DIST. NO. ILLINOIS FED. AID PROJECT							
		DATE - 10-2-08	REVISED -									