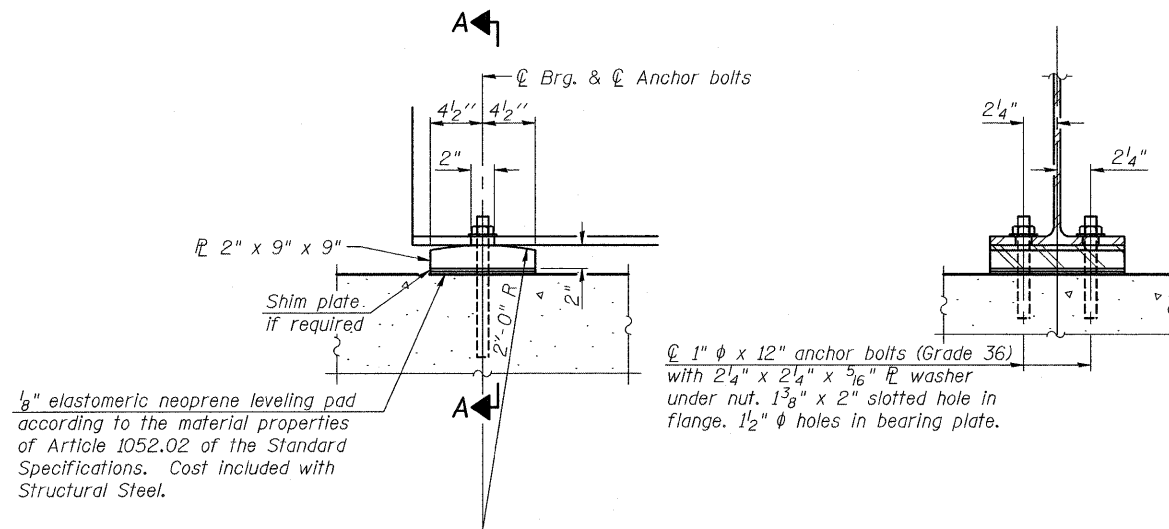


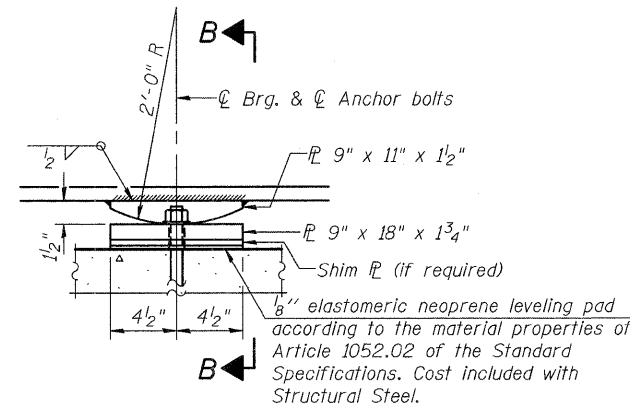
STATE OF ILLINOIS  
DEPARTMENT OF TRANSPORTATION



ELEVATION

SECTION A-A

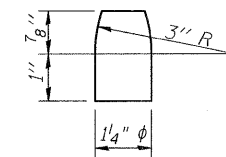
FIXED BEARING AT ABUTMENT  
(12 Required)



ELEVATION

SECTION B-B

FIXED BEARING AT PIER  
(12 Required)



PINTLE  
(24 Required)

Notes:

- Bearing plates and pintles shall be AASHTO M270 Grade 50.
- Anchor bolts shall be ASTM F1554 all-thread (or an Engineer-approved alternate material) of the grade(s) and diameter(s) specified, ASTM A307 Grade C anchor bolts may be used in lieu of ASTM F1554 Grade 36 (F<sub>y</sub>=36ksi). The corresponding specified grade of AASHTO M314 anchor bolts may be used in lieu of ASTM F1554.
- Anchor bolts at fixed bearings may either be cast in place or installed in holes drilled after the supported member is in place.
- Drilled and set anchor bolts shall be installed according to Article 521.06 of the Standard Specifications.
- Two 1/8 in. adjusting shims shall be provided for each bearing in addition to all other plates or shims and placed as shown on bearing details.

DESIGNED - CJW
CHECKED - DDB
DRAWN - JLR
CHECKED - CJW

BEARING DETAILS  
IL ROUTE 242 OVER  
SHELTON CREEK  
STATION 470+76

SHEET NO. 18	F.A.P. RTE.	SECTION	COUNTY	TOTAL SHEETS	SHEET NO.
	776	(102)B-1	HAMILTON	53	45
26 SHEETS	S.N. 033-0053		CONTRACT NO. 78016		
FED. ROAD DIST. NO.		ILLINOIS	FED. AID PROJECT		

**JACOBS**