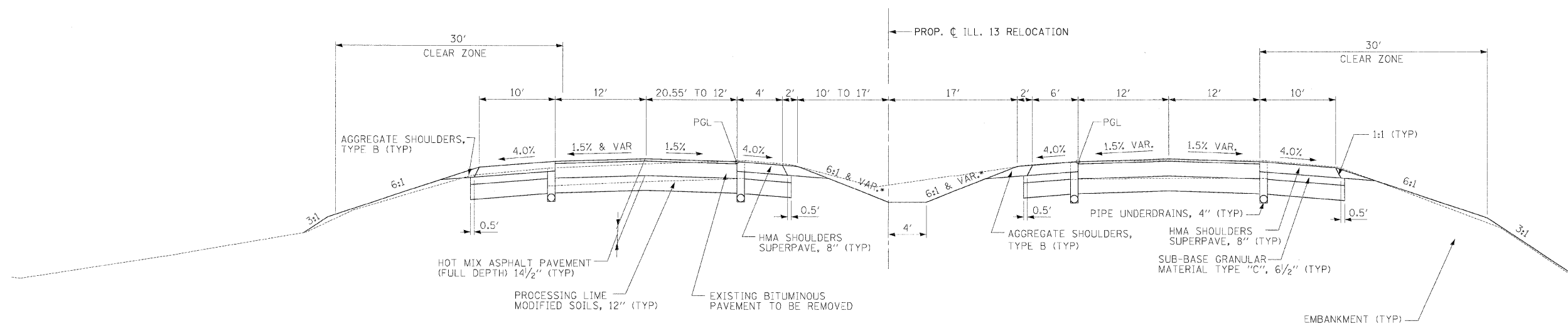


FAP RTE.	SECTION	COUNTY	TOTAL SHEETS	SHEET NO.
331	3-2, BX-1, 4-2	SALINE	220	10
STA.		+0 STA.		
FED. ROAD DIST. NO.		ILLINOIS	FED. AID PROJECT	

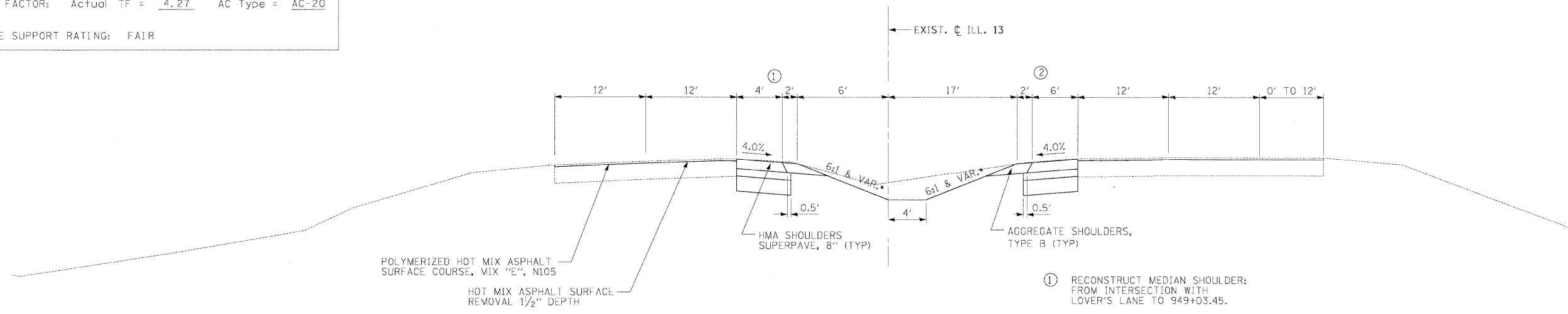
TYPICAL SECTIONS
PROPOSED ILL. 13 RELOCATION



TO BE USED: STA. 949+03.45 TO 950+83.65

STRUCTURAL DESIGN TRAFFIC:	Year <u>2022</u>
PV = <u>25,670</u>	SU = <u>545</u> MU = <u>545</u>
ROAD/STREET CLASSIFICATION:	Class <u>I</u>
PERCENT OF STRUCTURAL DESIGN TRAFFIC IN DESIGN LANE:	
P = <u>0.32</u>	S = <u>0.45</u> M = <u>0.45</u>
TRAFFIC FACTOR: Actual TF = <u>4.27</u>	AC Type = <u>AC-20</u>
SUBGRADE SUPPORT RATING:	FAIR

• FOR SIDE SLOPES SEE CROSS-SECTIONS



TO BE USED: STA. 949+00.00 TO 949+03.45

- ① RECONSTRUCT MEDIAN SHOULDER: FROM INTERSECTION WITH LOVER'S LANE TO 949+03.45.
- ② RECONSTRUCT MEDIAN SHOULDER AND REGRADE MEDIAN: FROM 941+00 TO INTERSECTION WITH LOVER'S LANE AND FROM INTERSECTION WITH LOVER'S LANE TO 949+03.45.

• FOR SIDE SLOPES SEE CROSS-SECTIONS

MIXTURE REQUIREMENTS:
THE FOLLOWING BITUMINOUS MIXTURE REQUIREMENTS ARE APPLICABLE TO THIS PROJECT:

LOCATIONS	MIXTURE USE	AC/PG	RAP% (MAX)	DESIGN AIR VOIDS	MIXTURE COMPOSITION	FRICION AGGREGATE
HOT MIX ASPHALT SURFACE COURSE	POLYMERIZED HOT-MIX ASPHALT SURFACE COURSE, MIX D, N105	SBS PG76-22	0	4.0% 105 GYRATIONS DESIGN	IL-9.5 MM OR IL-12.5 MM	E SURFACE
HOT MIX ASPHALT BINDER COURSE (TOP LIFT)	POLYMERIZED HOT-MIX ASPHALT BINDER COURSE, N105, IL-19.0	SBS PG76-22	0	4.0% 105 GYRATIONS DESIGN	IL-19.0 MM	NONE
HOT MIX ASPHALT BINDER COURSE (LOWER LIFT) AND TEMPORARY PAVEMENT LEVELING BINDER	HOT-MIX ASPHALT BINDER COURSE, N90, IL-19.0	PG 64-22	10	2.0% 90 GYRATIONS DESIGN	IL-19.0 MM	NONE
HOT MIX ASPHALT SURFACE COURSE (OLD ILL 13 CONNECTOR)	HOT-MIX ASPHALT SURFACE COURSE, MIX C, N90	PG 64-22	10	4.0% 90 GYRATIONS DESIGN	IL-9.5 MM OR IL-12.5 MM	NONE
HOT MIX ASPHALT BINDER COURSE (TOP LIFT OF OLD ILL 13 CONNECTOR)	POLYMERIZED HOT-MIX ASPHALT SURFACE COURSE, MIX D, N90	SBS PG76-22	0	4.0% 90 GYRATIONS DESIGN	IL-9.5 MM OR IL-12.5 MM	D SURFACE
HOT MIX ASPHALT BINDER COURSE (TOP LIFT OF OLD ILL 13 CONNECTOR)	POLYMERIZED HOT-MIX ASPHALT BINDER COURSE, N90, IL-19.0	SBS PG76-22	0	4.0% 90 GYRATIONS DESIGN	IL-19.0 MM	NONE

NOTES:
1) THE HOT MIX ASPHALT PAVEMENT (FULL DEPTH) WILL INCLUDE 1.5" SUPERPAVE SURFACE COURSE, MIX E

NOT TO SCALE

CHECKED BY: JMW PLOT DATE: 2/2/2009
DRAWN BY: DMS PLOT SCALE: 1/4"=1'-0"

M:\PROJECTS\PROJECTS\ROADWAY\COMMON\Reference Files
ACTIVE FILE: 1801321656.dgn