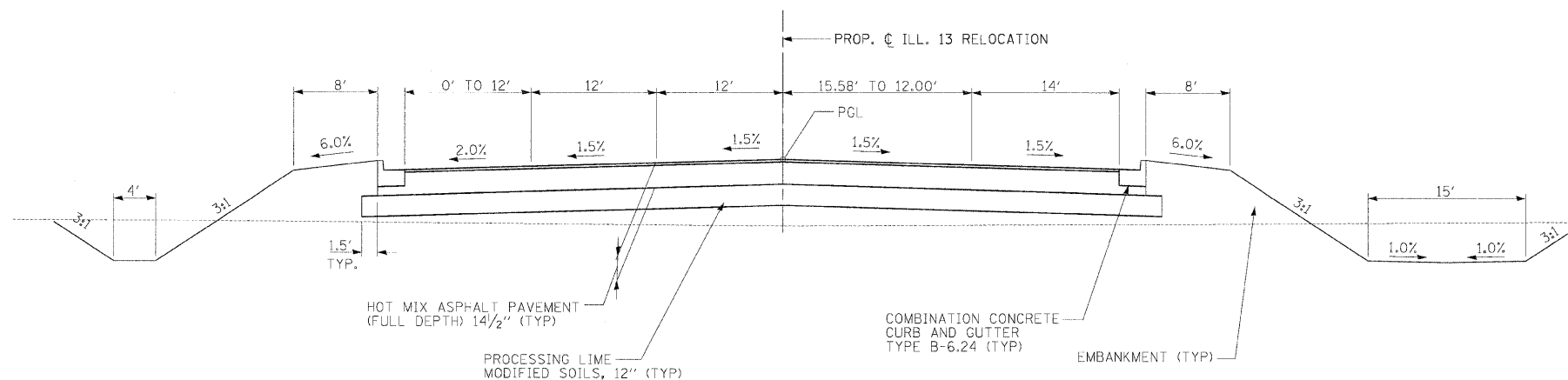


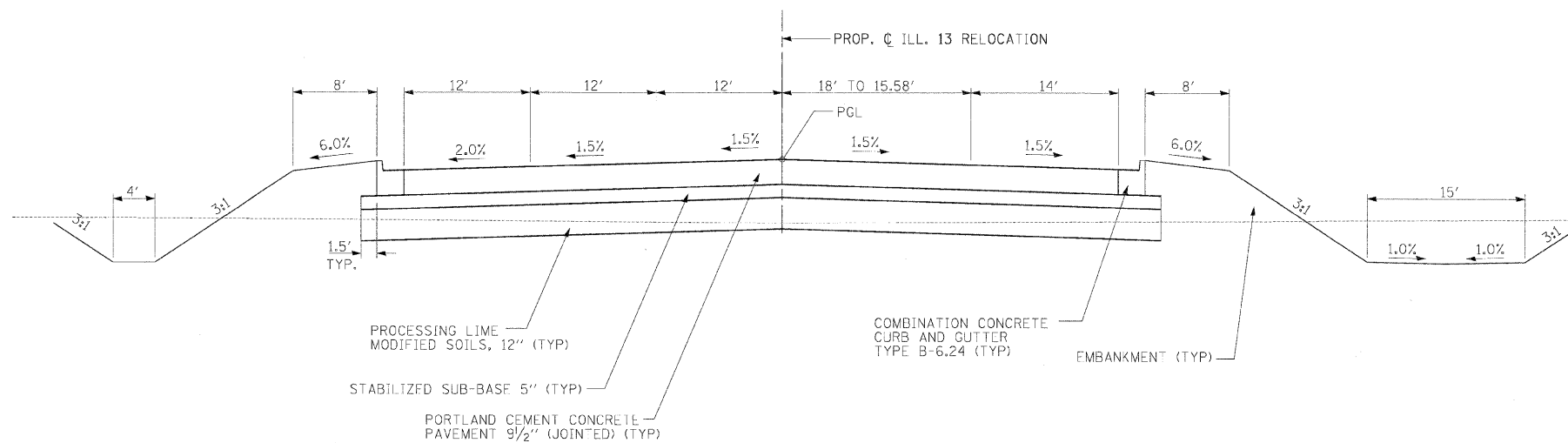
FAP RTE.	SECTION	COUNTY	TOTAL SHEETS	SHEET NO.
331	3-2, 8X-1, 4-2	SALINE	220	15
STA.		TO STA.		
FED. ROAD DIST. NO.		ILLINOIS	FED. AID PROJECT	

TYPICAL SECTIONS
PROPOSED ILL. 13 RELOCATION



TO BE USED: STA. 1075+25.47 TO 1076+90.25

STRUCTURAL DESIGN TRAFFIC:	Year	2022
PV = 25,670	SU = 545	MU = 545
ROAD/STREET CLASSIFICATION:	Class	I
PERCENT OF STRUCTURAL DESIGN TRAFFIC IN DESIGN LANE:		
P = 0.32	S = 0.45	M = 0.45
TRAFFIC FACTOR: Actual TF = 4.27	AC Type = AC-20	
SUBGRADE SUPPORT RATING: FAIR		



TO BE USED: STA. 1074+20.71 TO 1075+25.47

NOTES:

- 1) THE HOT MIX ASPHALT PAVEMENT (FULL DEPTH) WILL INCLUDE 1.5" SUPERPAVE SURFACE COURSE, MIX E

NOT TO SCALE

CHECKED BY BMM PLOT DATE 2/2/2009
DRAWN BY DMS PLOT SCALE 1/2"=1'-0"

M:\PROJECTS\PROJECTS\ROADWAY\COMMON\Reference Files\T8058-355606.dgn