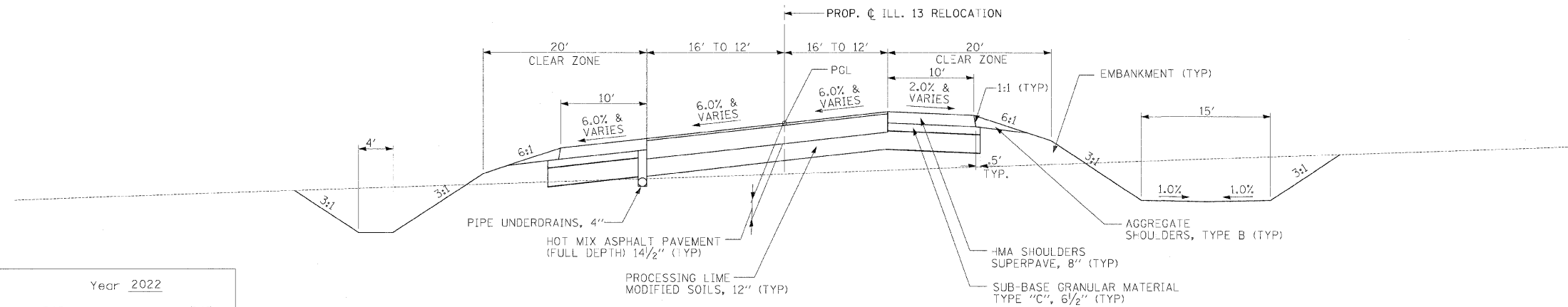


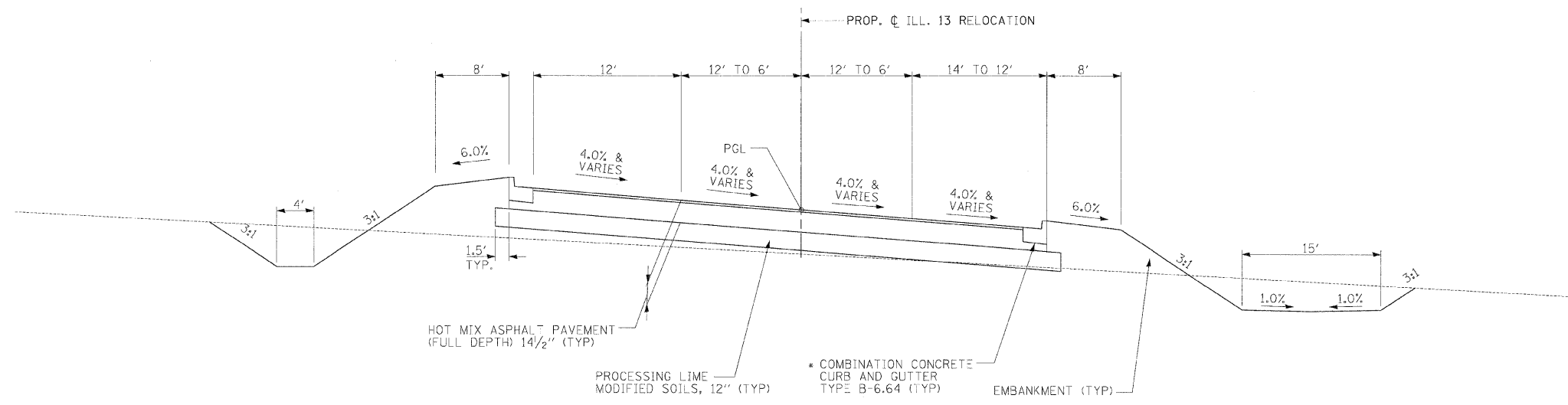
FAP RTE.	SECTION	COUNTY	TOTAL SHEETS	SHEET NO.
331	3-2, 8X-1, 4-2	SALINE	220	16
STA.		TO STA.		
FED. ROAD DIST. NO.	ILLINOIS	FED. AID PROJECT		

TYPICAL SECTIONS
PROPOSED ILL. 13 RELOCATION



TO BE USED: STA. 1081+97.89 TO 1093+66.24

STRUCTURAL DESIGN TRAFFIC:	Year <u>2022</u>
PV = <u>25,670</u>	SU = <u>545</u> MU = <u>545</u>
ROAD/STREET CLASSIFICATION:	Class <u>I</u>
PERCENT OF STRUCTURAL DESIGN TRAFFIC IN DESIGN LANE:	
P = <u>0.32</u>	S = <u>0.45</u> M = <u>0.45</u>
TRAFFIC FACTOR: Actual TF = <u>4.27</u>	AC Type = <u>AC-20</u>
SUBGRADE SUPPORT RATING:	FAIR



TO BE USED: STA. 1076+90.25 TO 1081+97.89

NOTES:
1) THE HOT MIX ASPHALT PAVEMENT (FULL DEPTH) WILL INCLUDE 1.5" SUPERPAVE SURFACE COURSE, MIX E

NOT TO SCALE

CHECKED BY: BWM PLOT DATE: 2/2/2009
DRAWN BY: DMS PLOT SCALE: 1/4"=1'-0"

M:\PROJECTS\PROJ\356\ROADWAY\COMMON
Active File:
1807-356.dgn