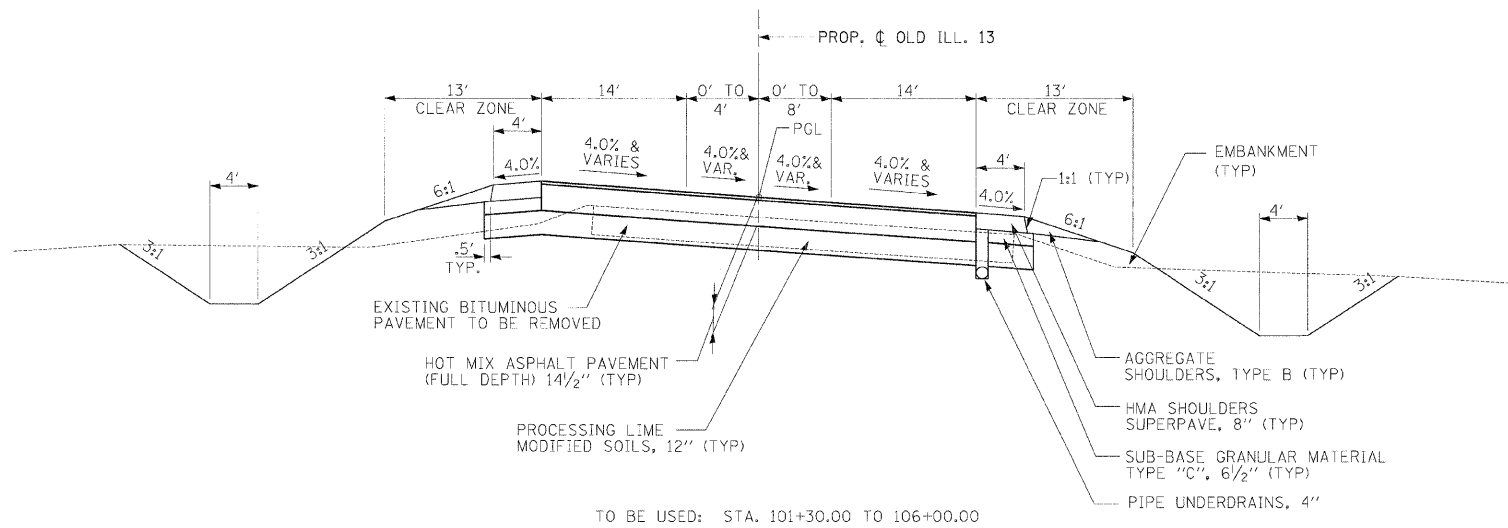


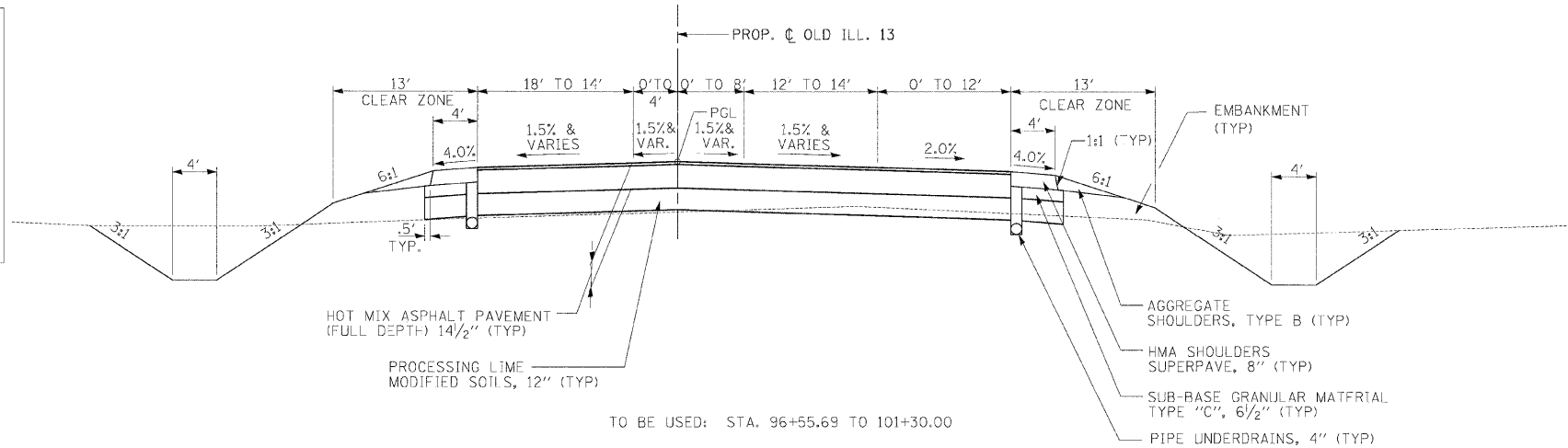
FAP RTE.	SECTION	COUNTY	TOTAL SHEETS	SHEET NO.
331	3-2, BX-1, 4-2	SALINE	220	18
STA.		TO STA.		
FED. ROAD DIST. NO.	ILLINOIS	FED. AID PROJECT		

TYPICAL SECTIONS
OLD ILL. 13

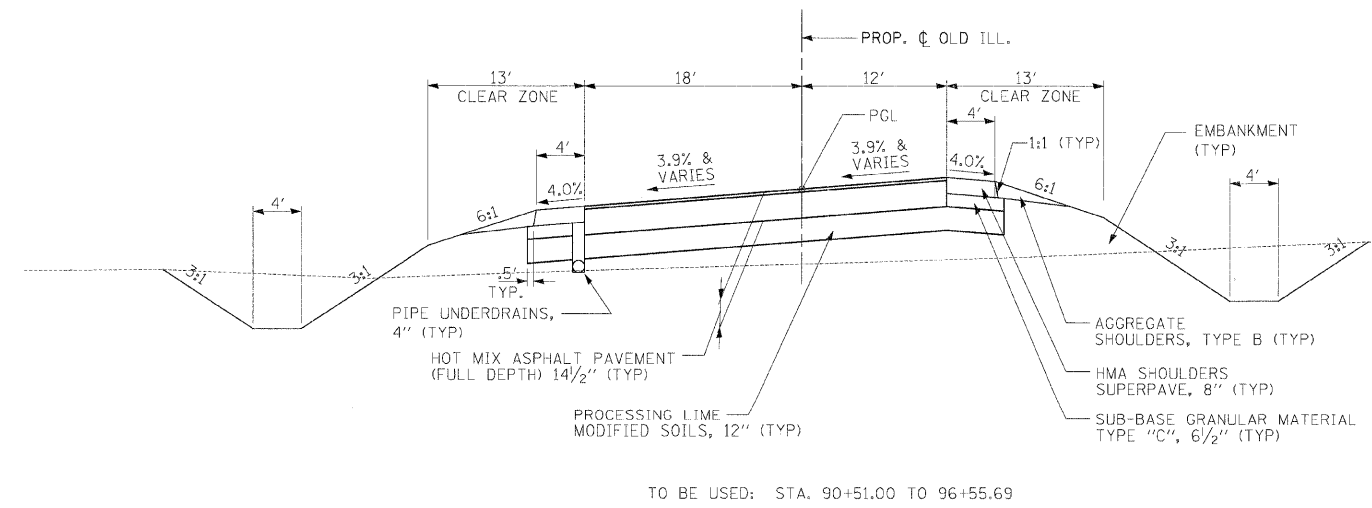


TO BE USED: STA. 101+30.00 TO 106+00.00

STRUCTURAL DESIGN TRAFFIC:	Year	2022
PV = 25,670	SU = 545	MU = 545
ROAD/STREET CLASSIFICATION:	Class	I
PERCENT OF STRUCTURAL DESIGN TRAFFIC IN DESIGN LANE:		
P = 0.32	S = 0.45	M = 0.45
TRAFFIC FACTOR: Actual TF = 4.27	AC Type =	AC-20
SUBGRADE SUPPORT RATING:	FAIR	



TO BE USED: STA. 96+55.69 TO 101+30.00



TO BE USED: STA. 90+51.00 TO 96+55.69

NOTES:
1) THE HOT MIX ASPHALT PAVEMENT (FULL DEPTH) WILL INCLUDE 1.5" SUPERPAVE SURFACE COURSE, MIX E

NOT TO SCALE

CHECKED BY: B.M. PLOT DATE: 2/22/2009
DRAWN BY: D.M.S. PLOT SCALE: 1"=40'

M:\PROJECTS\PROJECTS\ROADWAY\COMMON\Reference Files
Active File: T8058-325656.dgn