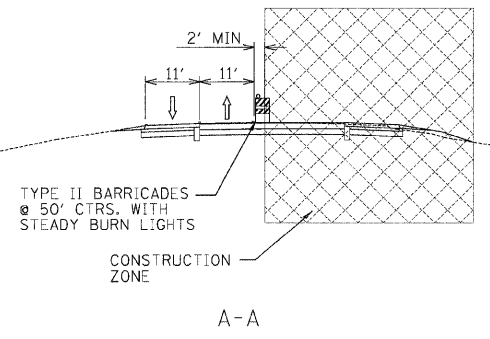
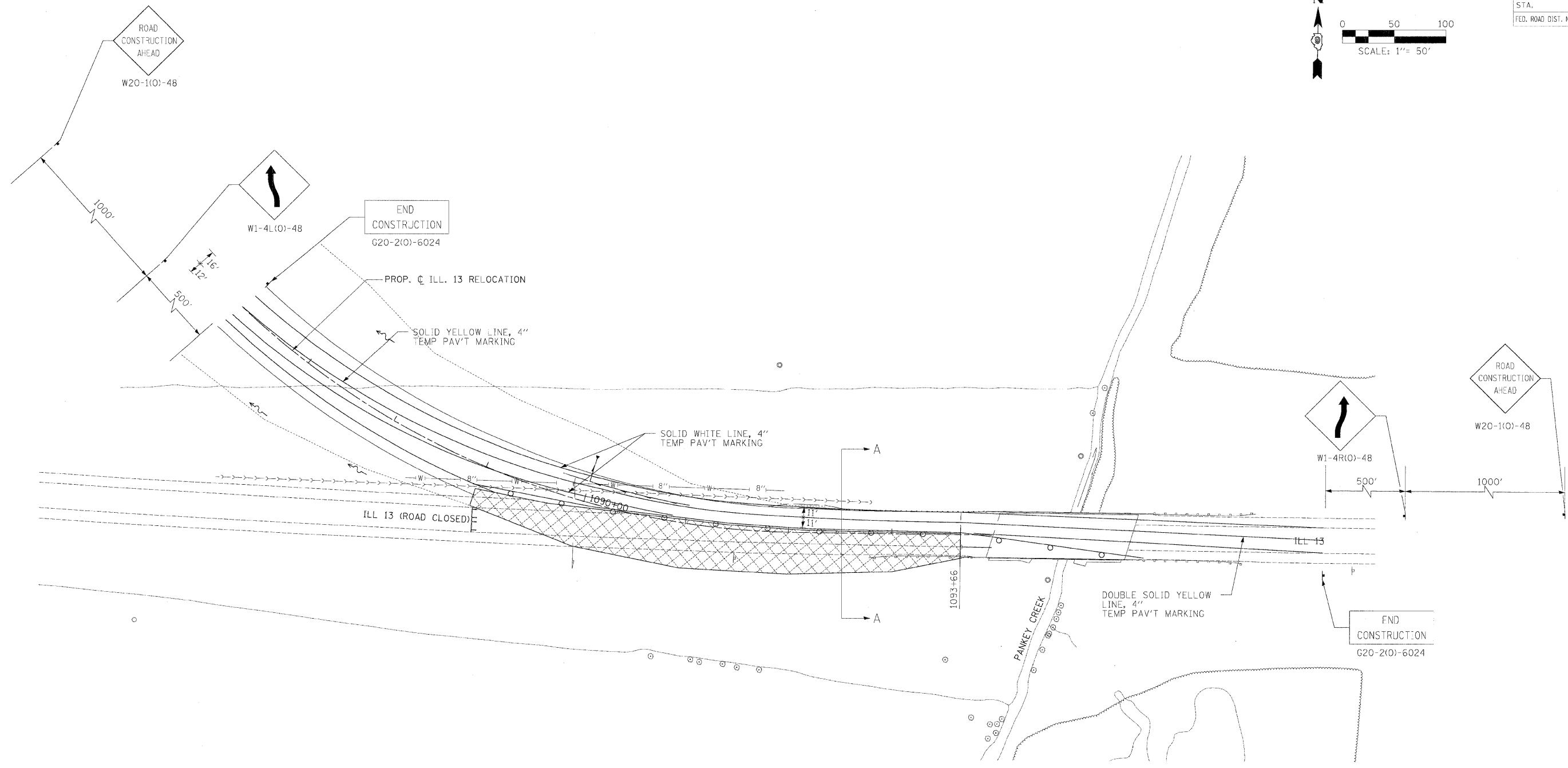
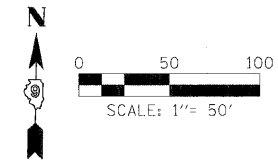


FAP RTE.	SECTION	COUNTY	TOTAL SHEETS	SHEET NO.
331	3-2, 8X-1, 4-2	SALINE	220	41
STA.		TO STA.		
FED. ROAD DIST. NO.	ILLINOIS	FED. AID PROJECT		



**LEGEND:**

	WORK ZONE
	TEMPORARY PAVEMENT
	BARRICADE, TYPE III
	BARRICADE, TYPE II OR DRUMS

NOTE:  
ALL EXISTING PAVEMENT MARKINGS  
THAT CONFLICT WITH NEW TRAFFIC  
PATTERN SHALL BE REMOVED.

CHECKED BY: R.W. PLOT DATE: 2/2/2009  
DRAWN BY: DMS PLOT SCALE: 1/4" = 50'

M:\PROJECTS\PROJ0856\ROADWAY\COMMON\  
Active Files: Reference Files:  
P01stg086-08113.cpl