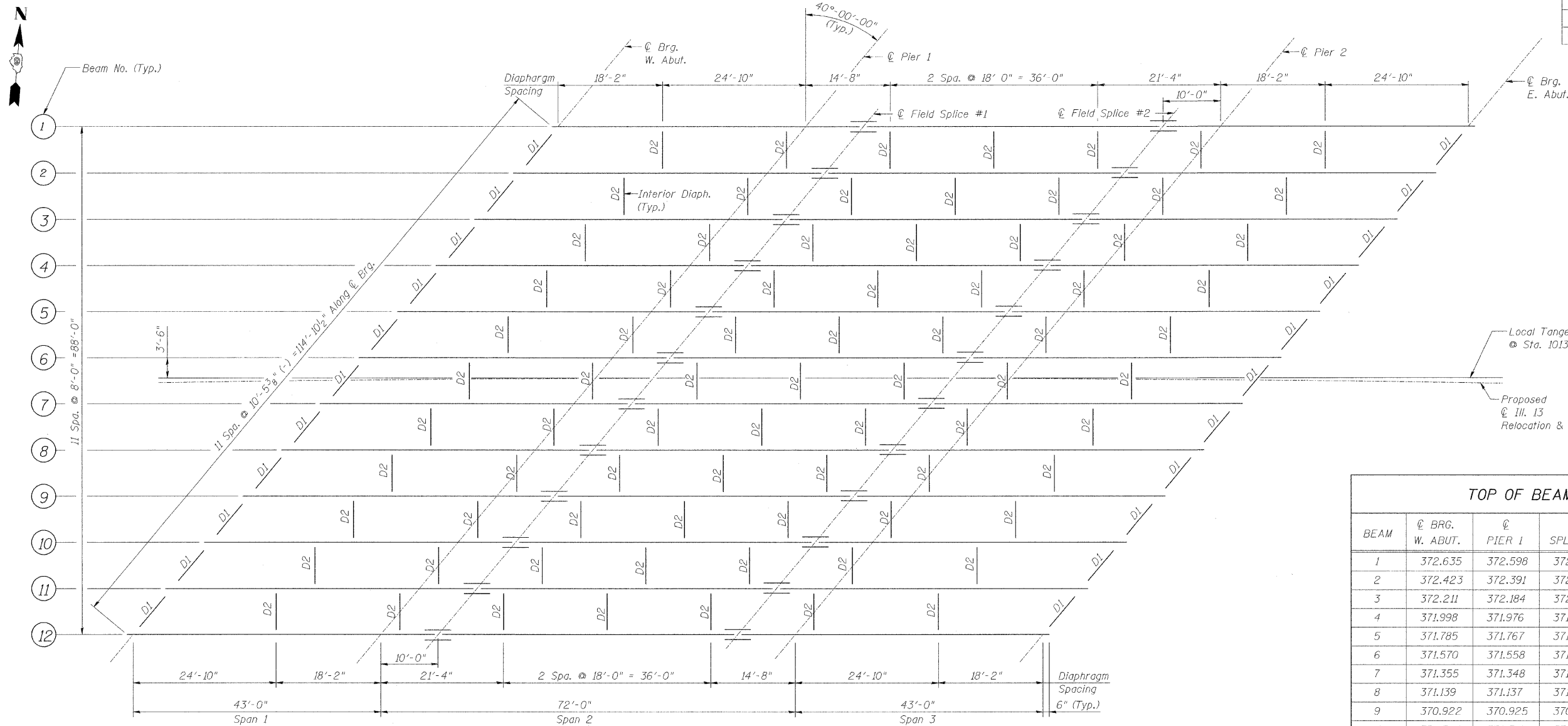


ROUTE No.	SECTION	COUNTY	TOTAL SHEETS	SHEET NO.
F.A.P. 331	(8X-1)B	SALINE CO.	220	129
STA.		TO STA.		
F.H.W.A. REGION		ILLINOIS	PROJECT	

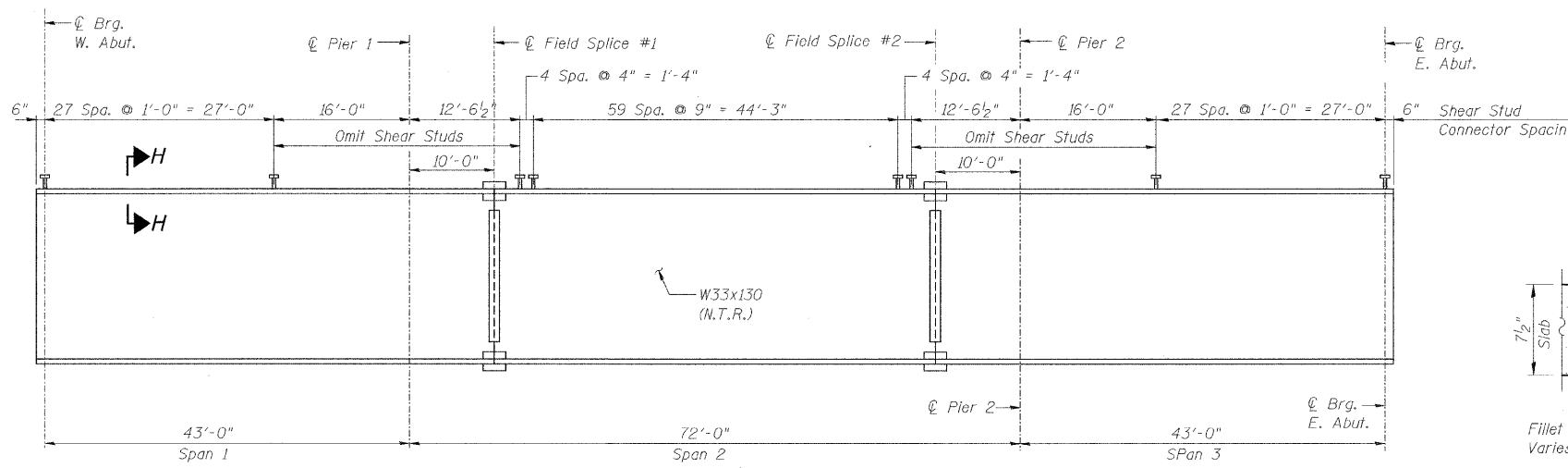
Contract # 78058



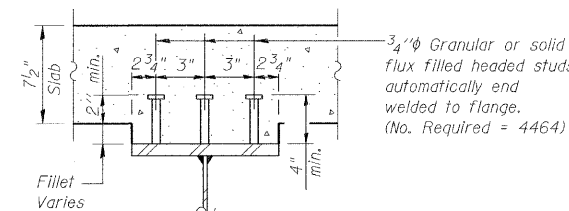
FRAMING PLAN

BEAM	℄ BRG. W. ABUT.	℄ PIER 1	℄ SPLICE 1	℄ SPLICE 2	℄ PIER 2	℄ BRG. E. ABUT.
1	372.635	372.598	372.589	372.542	372.533	372.492
2	372.423	372.391	372.384	372.343	372.334	372.298
3	372.211	372.184	372.178	372.143	372.135	372.104
4	371.998	371.976	371.971	371.942	371.936	371.909
5	371.785	371.767	371.764	371.740	371.735	371.713
6	371.570	371.558	371.555	371.538	371.534	371.517
7	371.355	371.348	371.346	371.335	371.332	371.320
8	371.139	371.137	371.136	371.131	371.129	371.122
9	370.922	370.925	370.926	370.926	370.925	370.923
10	370.704	370.712	370.714	370.721	370.721	370.724
11	370.485	370.499	370.502	370.514	370.516	370.524
12	370.266	370.284	370.289	370.307	370.310	370.323

\* For Fabrication use only.



BEAM ELEVATION



SECTION H-H

NOTES:

- All W33x130 beams and all Splice plates shall be AASHTO M 270 GR 50.
- For Structural Steel details see Sheet S13.
- For Bearing Details see Sheet S14.
- "N.T.R." denotes beams and plates to which notch toughness requirements are applicable.

DESIGNED	KWS/EJB
CHECKED	TL
DRAWN	LM
CHECKED	MRB

**benesch**

alfred benesch & company  
 Engineers • Surveyors • Planners  
 205 North Michigan Avenue, Suite 2400  
 Chicago, Illinois 60601  
 312-566-0460

ILLINOIS DEPARTMENT OF TRANSPORTATION  
 RELOCATED ILLINOIS ROUTE 13 OVER  
 HARRISBURG DITCH  
 F.A.P. 331 SECTION (8X-1)B  
 FRAMING PLAN AND BEAM ELEVATION

SN: 083-0060  
 SALINE CO., IL.

STA. 1013+38.50  
 DATE: FEB 4, 2009