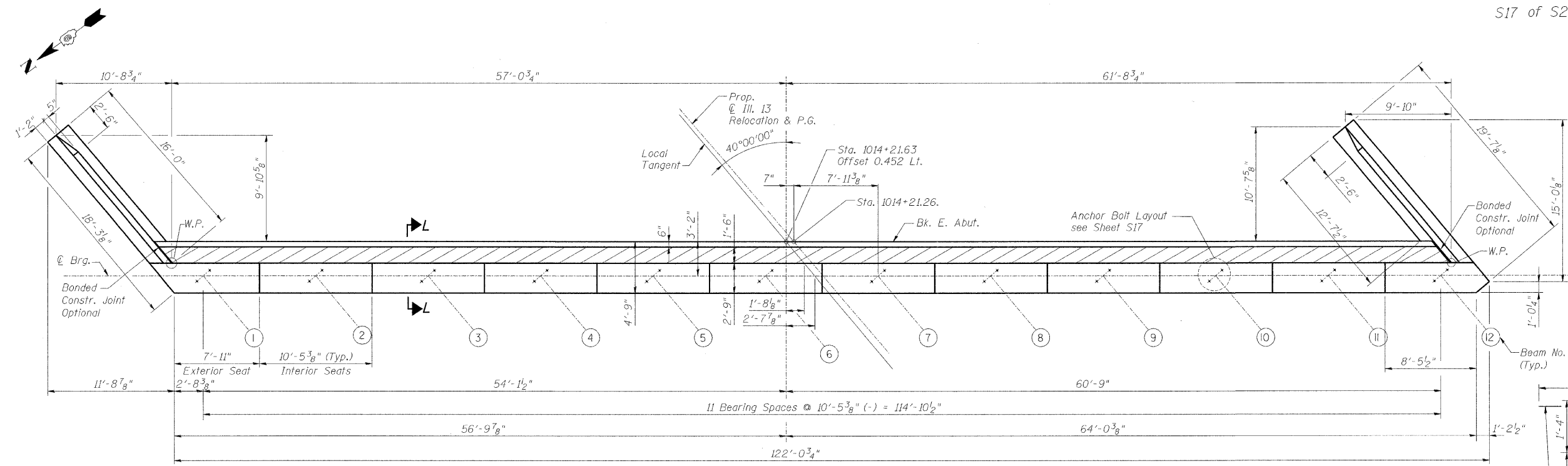
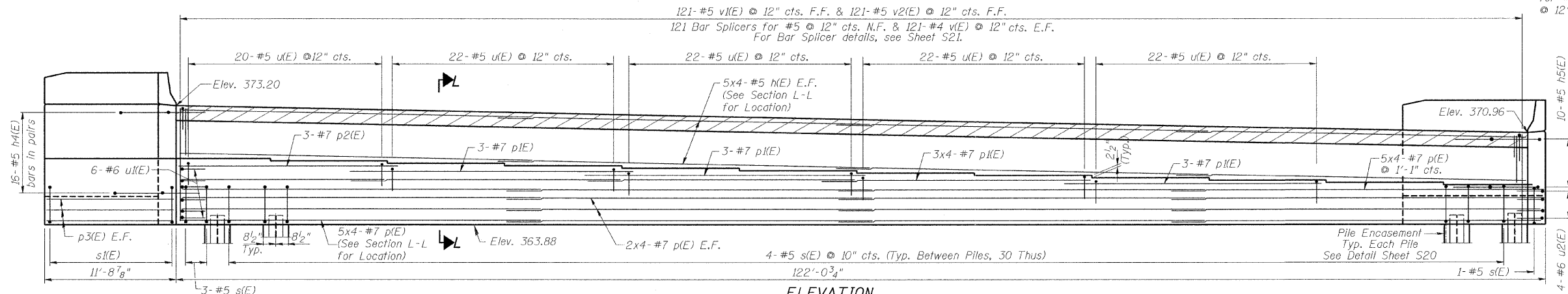


ROUTE NO.	SECTION	COUNTY	TOTAL SHEETS	SHEET NO.
F.A.P. 331	(8X-1)B	SALINE CO.	220	134
STA.		TO STA.		
F.H.W.A. REGION		ILLINOIS	PROJECT	

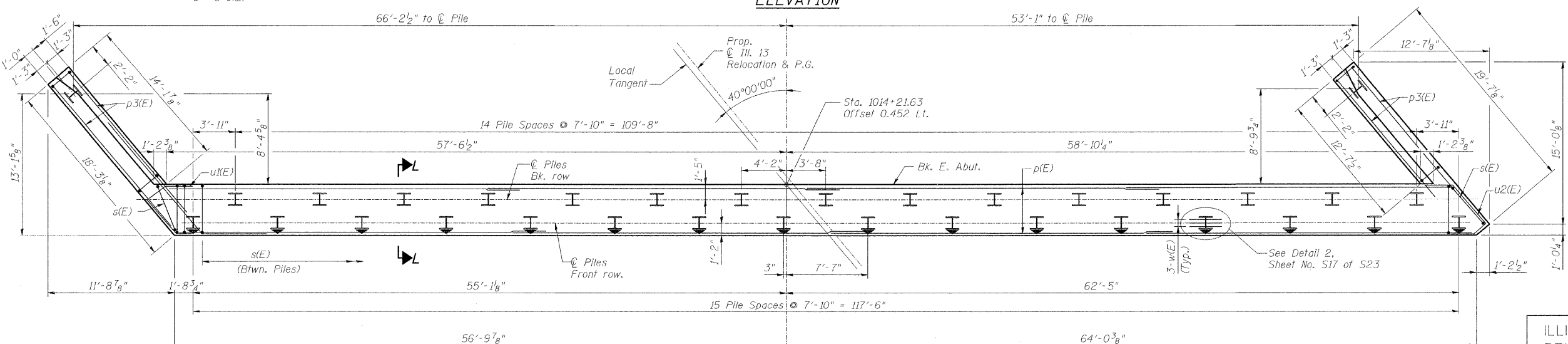
Contract # 78058



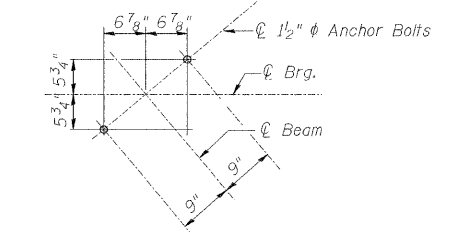
TOP PLAN



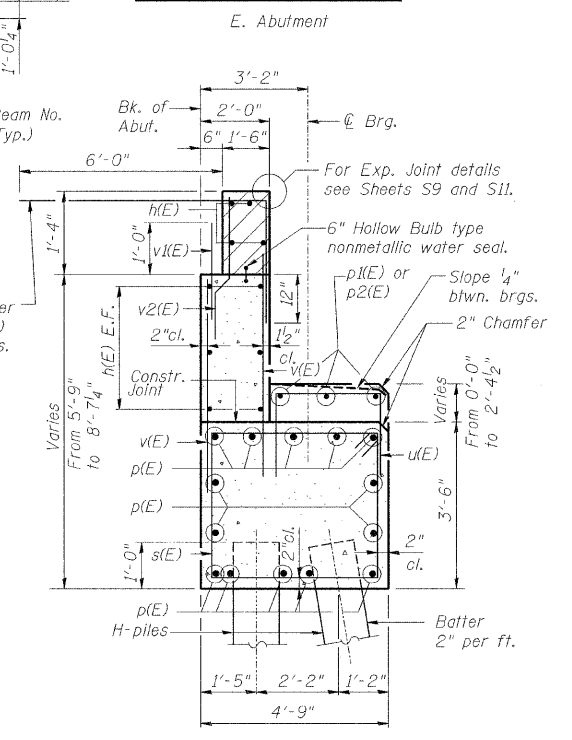
ELEVATION



PLAN-PILE CAP



ANCHOR BOLT LAYOUT



SEC. L-L THRU ABUT.

BEAM SEAT ELEVATION

Bm.	Elevation
1	369.55
2	369.35
3	369.16
4	368.96
5	368.77
6	368.57
7	368.37
8	368.18
9	367.98
10	367.78
11	367.58
12	367.38

PILE DATA

Type: HP14x73
 Nominal Required Bearing: 576 kips
 Allowable Resistance Available: 192 kips
 Est. Length: 70 ft.
 No. Production Piles: 32
 No. Test Piles: 1

DESIGNED	RJW
CHECKED	WJZ
DRAWN	LM
CHECKED	HMA

NOTES:

- Space reinforcement bars in cap to miss Anchor
- For Wingwall Elevation and Details see Sheet S18.
- Indicates Battered Pile.
- Pour Steps monolithically with cap.
- Bars Indicated thus: 5x4-#7 etc., indicates 5 lines of #7 bars with 4 lengths per line.
- E.F. denotes each face, F.F. denotes far face, N.F. denotes near face.
- Hatched area to be poured after superstructure forms have been removed. Quantity of concrete included with Concrete Superstructure.
- Use the following minimum lap lengths unless otherwise noted: #4 - 1'-8", #5 - 2'-2", #6 - 2'-8", and #7 - 4'-10".

benesch

alfred benesch & company
 Engineers • Surveyors • Planners
 205 North Michigan Avenue, Suite 2400
 Chicago, Illinois 60601
 312-565-0450
 JOB NO. 3526

ILLINOIS DEPARTMENT OF TRANSPORTATION
 RELOCATED ILLINOIS ROUTE 13 OVER
 HARRISBURG DITCH
 F.A.P. 331 SECTION (8X-1)B
 EAST ABUTMENT PLAN AND ELEVATION

SN: 083-0060
 SALINE CO., IL.

STA. 1013+38.50
 DATE: FEB 4, 2009