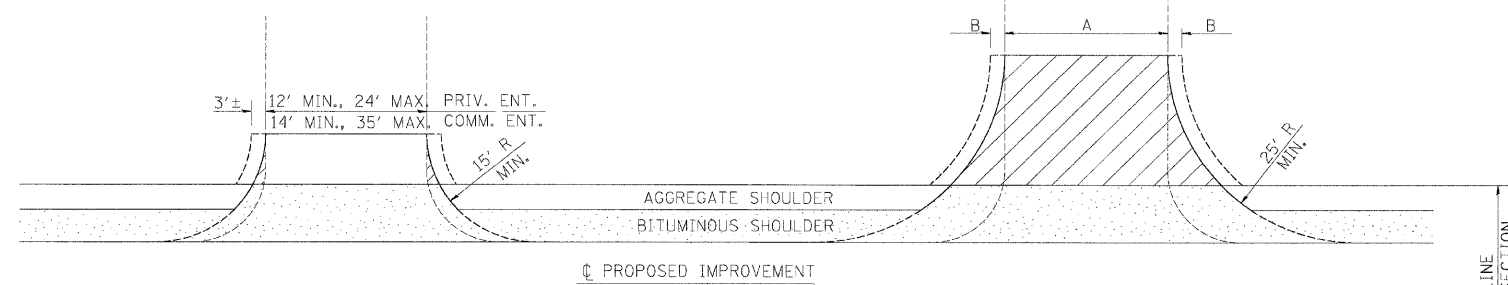


FAP RTE.	SECTION	COUNTY	TOTAL SHEETS	SHEET NO.
331	3-2, BX-1, 4-2	SALINE	220	156
STA.		TO STA.		
FED. ROAD DIST. NO.		ILLINOIS FED. AID PROJECT		

PRIVATE AND COMMERCIAL ENTRANCES

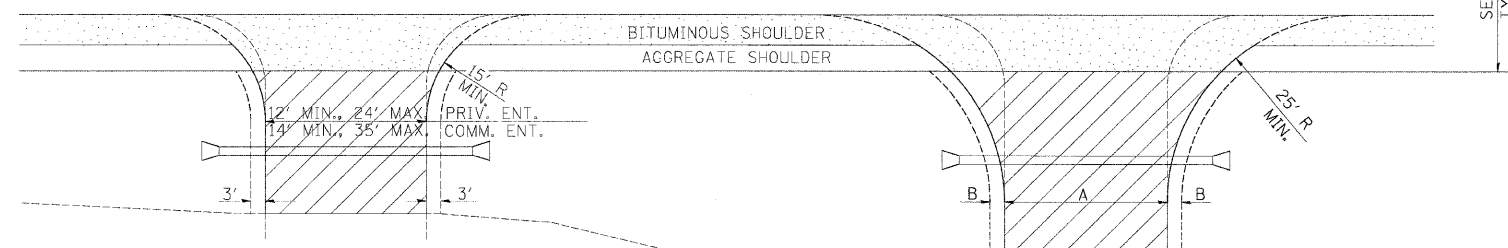
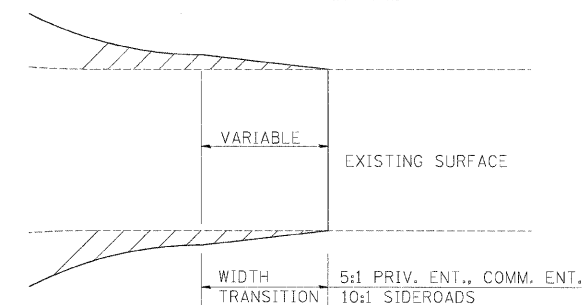
SIDEROADS



SIDEROAD DIMENSIONS (MIN.)

ADT	A (FT.)	B (FT.)
0 TO 250	18'	2'
250 TO 400	20'	2'
GREATER THAN 400	22'	4'

WIDTH TRANSITION DETAIL TO EXISTING (IF APPLICABLE)



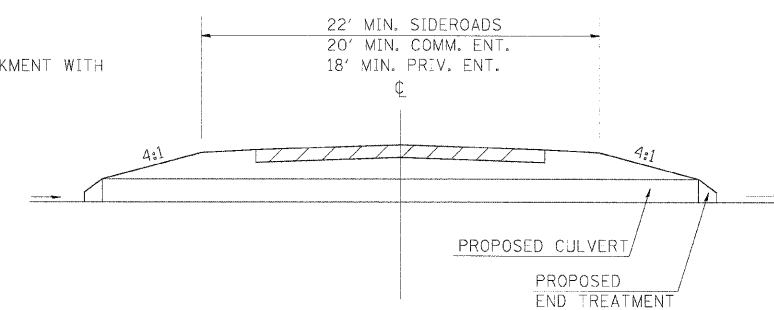
PRIVATE AND COMMERCIAL ENTRANCES (PROPOSED CULVERT)

SIDEROADS (PROPOSED CULVERT)

FIELD ENTRANCE TREATMENT

CONSTRUCT MAINLINE BITUMINOUS AND AGGREGATE SHOULDERS THROUGH FIELD ENTRANCES.
IF A PIPE IS REQUIRED, PROVIDE A 22' WIDE EARTH EMBANKMENT WITH 15' RADII AT THE INTERSECTION.

DETAIL FOR CALCULATING CULVERT LENGTH

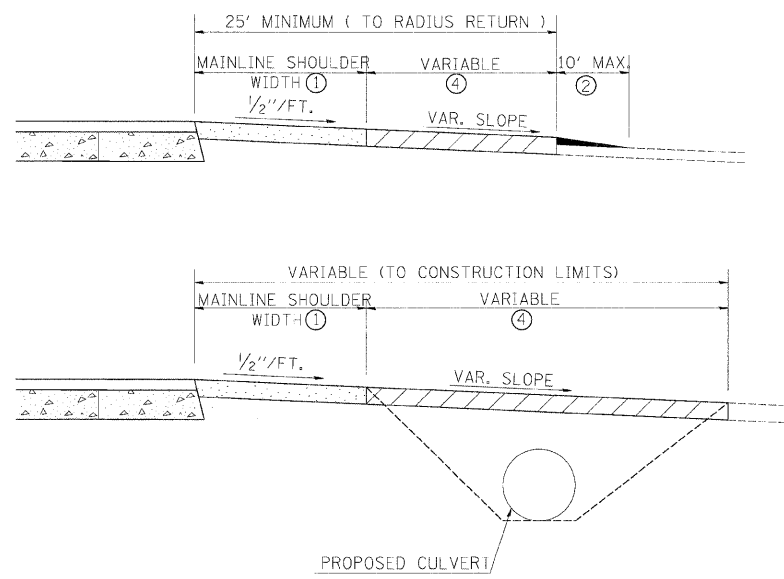
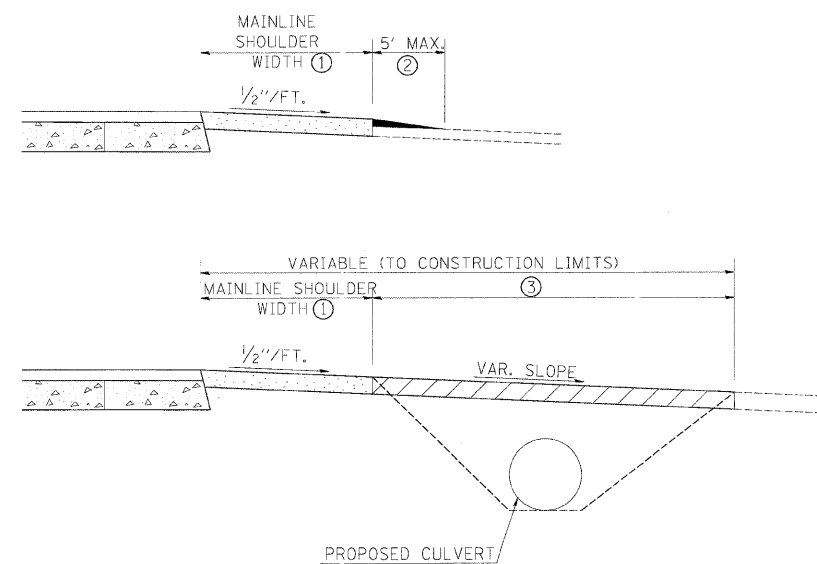


LEGEND

- ① CONSTRUCT BITUMINOUS SHOULDER "FULL SHOULDER WIDTH" THROUGH ENTRANCE/INTERSECTION UNLESS OTHERWISE SHOWN ON THE PLANS OR AS DIRECTED BY THE ENGINEER.
- ② IF REQUIRED, AGGREGATE TAPER FOR EXISTING GRAVEL SURFACE; BITUMINOUS TAPER FOR EXISTING HIGHER TYPE SURFACES.
- ③ 6" AGGREGATE SURFACE COURSE FOR EXISTING GRAVEL SURFACE; 2" BITUMINOUS RESURFACING ON 4" AGGREGATE BASE COURSE FOR EXISTING BITUMINOUS SURFACE;
- ④ 2" MINIMUM BITUMINOUS RESURFACING ON 8" MINIMUM AGGREGATE BASE COURSE FOR EXISTING GRAVEL SURFACE OR O.L & CHIP SURFACE; MATCH EXISTING FOR EXISTING HIGHER TYPE SURFACES.

PRIVATE AND COMMERCIAL ENTRANCES

SIDEROADS



GENERAL NOTES

- 1. ENTRANCE LOCATIONS ARE TO COMPLY WITH IDOT'S POLICY "ACCESS TO STATE HIGHWAYS".
- 2. IN GENERAL, RELOCATED PRIVATE ENTRANCES ARE TO HAVE A 16' WIDE SURFACE WITH 3' WIDE SHOULDERS (22' WIDE EMBANKMENT).
- 3. SEE PLANS FOR PROPOSED PROFILE GRADES AT ENTRANCES/SIDEROADS. THE DESIRABLE MAXIMUM PROFILE GRADE FOR ENTRANCES ARE 12% FOR PE; 10% FOR CE.
- 4. ENTRANCE PIPE CULVERTS ARE TO BE A MINIMUM 15" DIAMETER AND NORMALLY REPLACED IN KIND; SIDEROAD PIPE CULVERTS ARE GENERALLY TO BE CONCRETE (18" MINIMUM DIAMETER).
- 5. THE INTERSECTION RADII OF SIDEROADS CONSTRUCTED TO FULL POLICY STANDARDS SHOULD COMPLY WITH THAT NOTED IN THE BUREAU OF LOCAL ROADS ADMINISTRATIVE POLICIES MANUAL (5-8-13).

REVISIONS

DRAWN	3-15-91
REVISED	10-02-91
REVISED	5-15-92
REVISED	1-20-00

STD. 9-83

RURAL SIDE APPROACH DETAILS

CHECKED BY: BWM PLOT DATE: 2/2/2009
DRAWN BY: DMS PLOT SCALE: 1/4"=1'-0"

R:\PROJECTS\ROADWAY\CONTRACT 1\5\STANDARDS\Reference Files\std05-3526-06.dgn