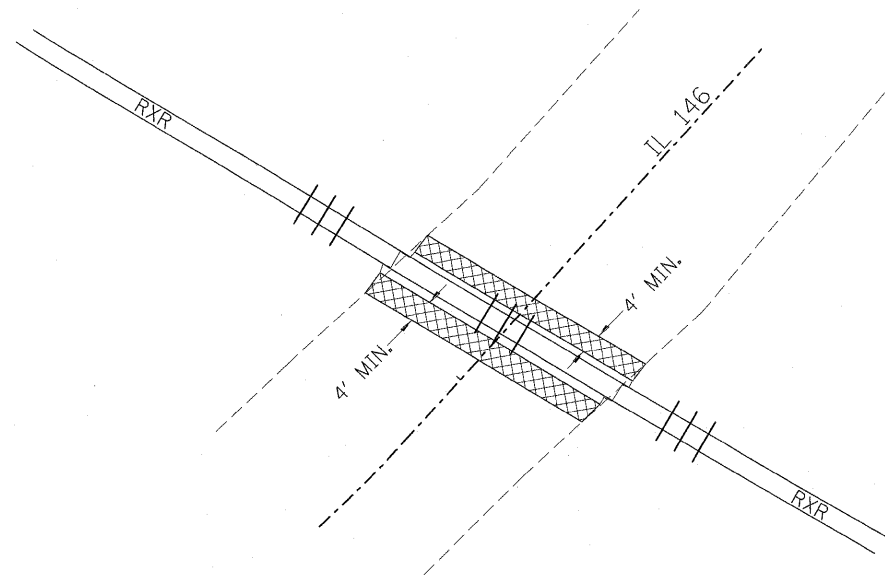
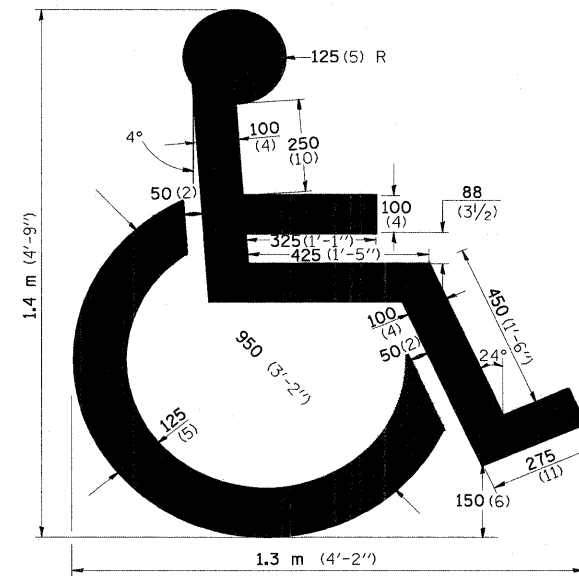


PATCHING DETAIL AT RAILROAD CROSSING

A 4' MINIMUM CLASS C PATCH WILL BE REQUIRED NEXT TO THE CONCRETE RAILROAD CROSSING PANELS.



HANDICAPPED PARKING SYMBOL



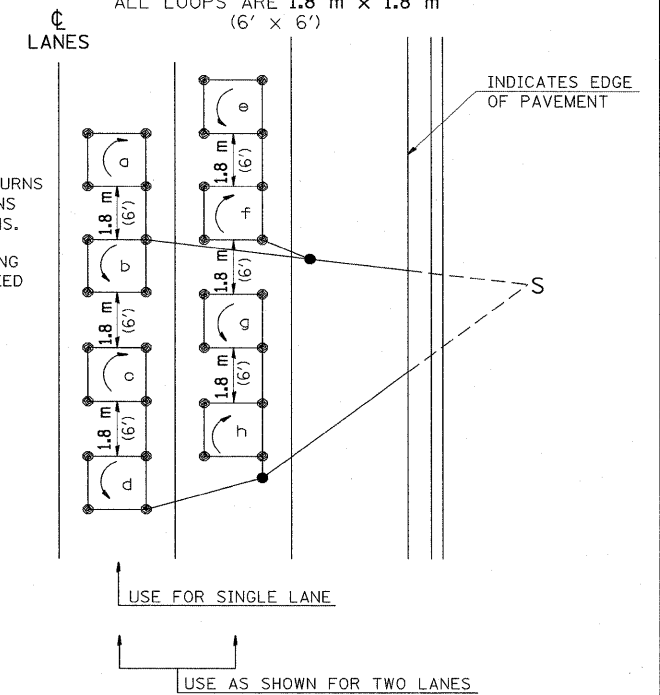
TO BE USED: STA. 66+27 LT. & 66+40 RT.

REVISIONS	
DRAWN	07-13-90
REVISED	10-12-93
REVISED	3-24-97
STD. 9M-80	

ALL DIMENSIONS ARE IN MILLIMETERS (INCHES) UNLESS OTHERWISE NOTED.

LOOP LAYOUT

ALL LOOPS ARE 1.8 m x 1.8 m (6' x 6')



NOTES

APPLIES TO 1.8 m x 1.8 m (6' x 6') LOOPS ONLY

1. THE DETECTOR LOOPS SHALL BE TYPE I. EACH DETECTOR LOOP SHALL HAVE 3 TURNS OF LOOP WIRE AND BE INSTALLED IN ACCORDANCE WITH THE APPLICABLE PORTIONS OF SECTION T418 OF THE STANDARD SPECIFICATIONS FOR TRAFFIC CONTROL ITEMS.
2. BEGINNING LEAD WIRES SHALL BE CONNECTED TO THE BLACK LEAD AND THE ENDING LEAD WIRES SHALL BE CONNECTED TO THE WHITE LEAD OF THE TWIN TWISTED FEED CABLES AT THE SPLICE POINT.

LOOP LEGEND

- () CLOCKWISE ROTATION FOR LOOP WIRES
- () COUNTERCLOCKWISE ROTATION FOR LOOP WIRES
- S INDICATES SPLICE POINT FOR DETECTOR LOOP LEAD
- INDICATES 50 (2) CORE-DRILL

DETAIL 1.8 m x 1.8 m (6' x 6') DETECTOR LOOPS

REVISIONS	
DRAWN	4-17-92
REVISED	10-20-93
REVISED	3-26-97
STD. 9M-92	

ALL DIMENSIONS ARE IN MILLIMETERS (INCHES) UNLESS OTHERWISE NOTED.

FILE NAME =	USER NAME = naasdp	DESIGNED -	REVISED -
c:\pwork\pwork\naasdp\dms43722\d978072_sht.pln.dgn		DRAWN -	REVISED -
PLOT SCALE = 5,0000' / IN.		CHECKED -	REVISED -
PLOT DATE = 1/21/2009		DATE -	REVISED -

**STATE OF ILLINOIS
DEPARTMENT OF TRANSPORTATION**

DETAILS

SCALE:	SHEET NO. OF SHEETS	STA. TO STA.	F.A. RTE. 885	SECTION 104RS-5, 13RS-1, 106RS-4	COUNTY UNION	TOTAL SHEETS 24	SHEET NO. 24
			FED. ROAD DIST. NO. ILLINOIS FED. AID PROJECT		CONTRACT NO. 78072		