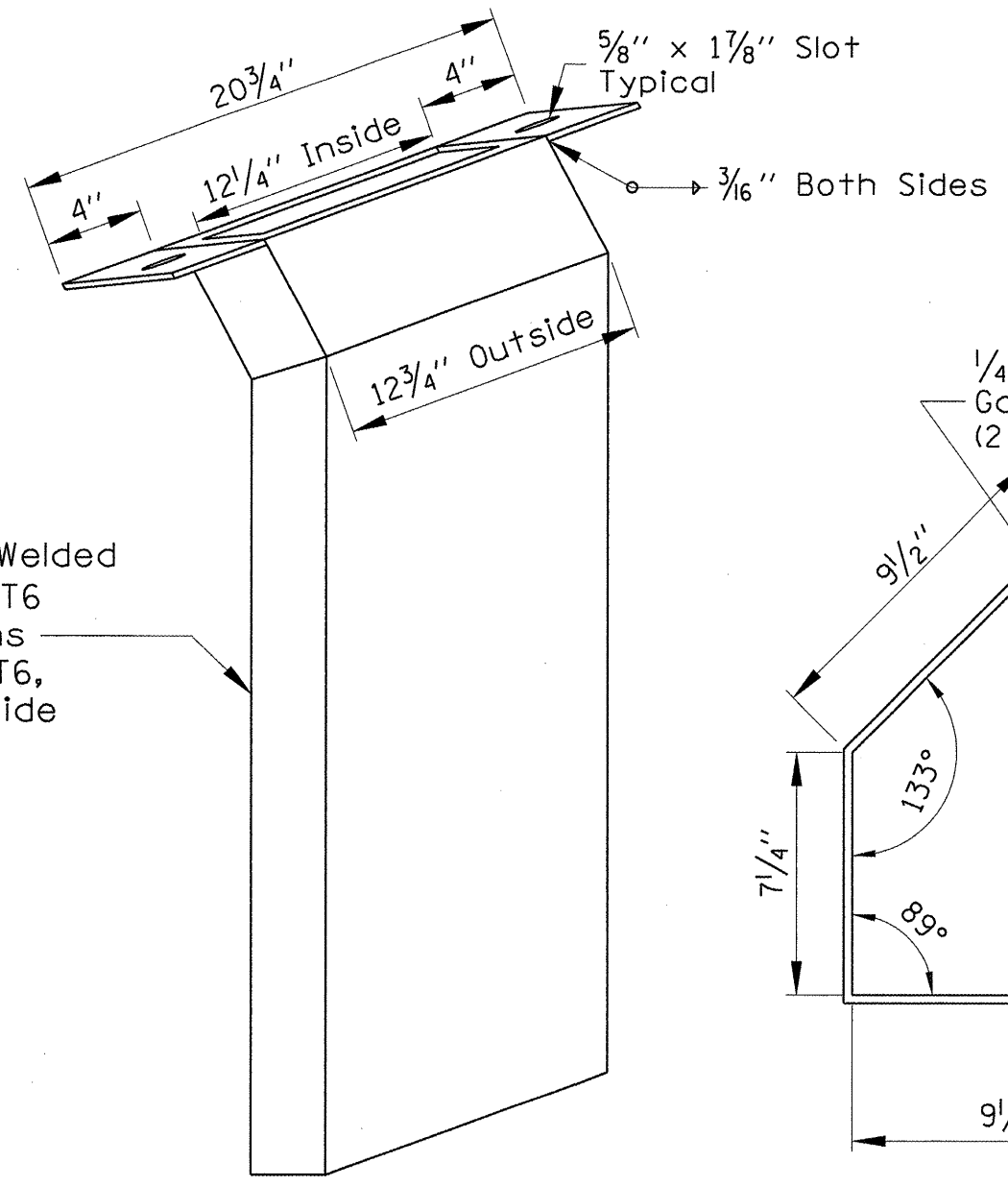
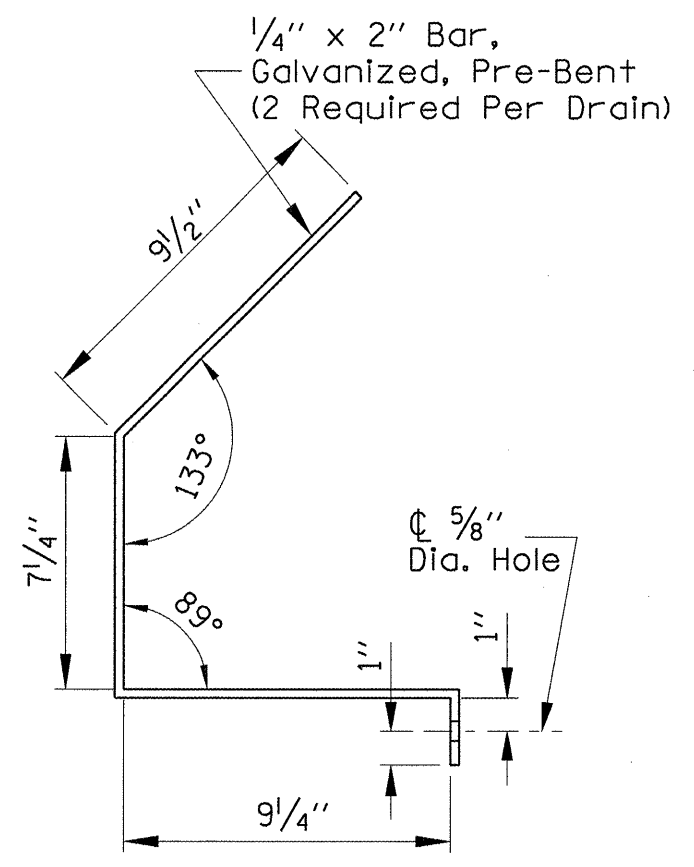


SECTION AT DRAIN



**FLOOR DRAIN
EXTENSION DETAIL**

4 Locations Each Structure



BRACKET DETAIL

FLOOR DRAIN EXTENSION

**044-0039
044-0040**

FILE NAME =	USER NAME = gautneyrk	DESIGNED -	REVISD -	STATE OF ILLINOIS DEPARTMENT OF TRANSPORTATION	F.A.I. RTE.	SECTION	COUNTY	TOTAL SHEETS	SHEET NO.
0:\Program Development\Studies and Plan	Downstairs Design\ZBRIDGE MAINT\CONTRACT	DRWAINS\78109_DRAINS.dgn	REVISD -		24	09 CM DECK DRAIN EXT FY09-1	JOHNSON MASSAC	16	6
PLOT SCALE = 5.2953 / IN.	CHECKED -	REVISD -	REVISD -		CONTRACT NO. 78109				
PLOT DATE = 12/22/2008	DATE -	REVISD -	REVISD -		FED. ROAD DIST. NO. ILLINOIS FED. AID PROJECT				