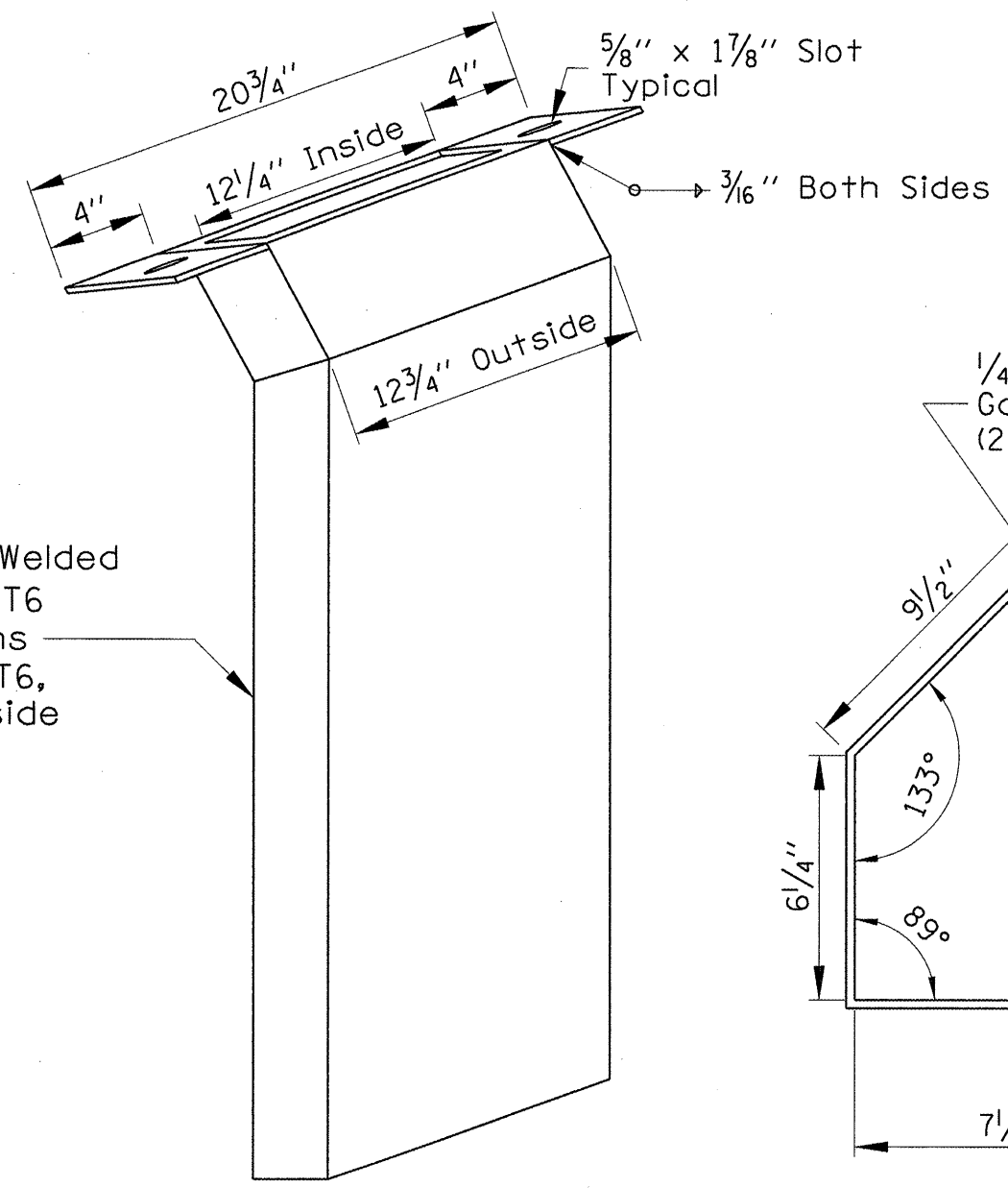
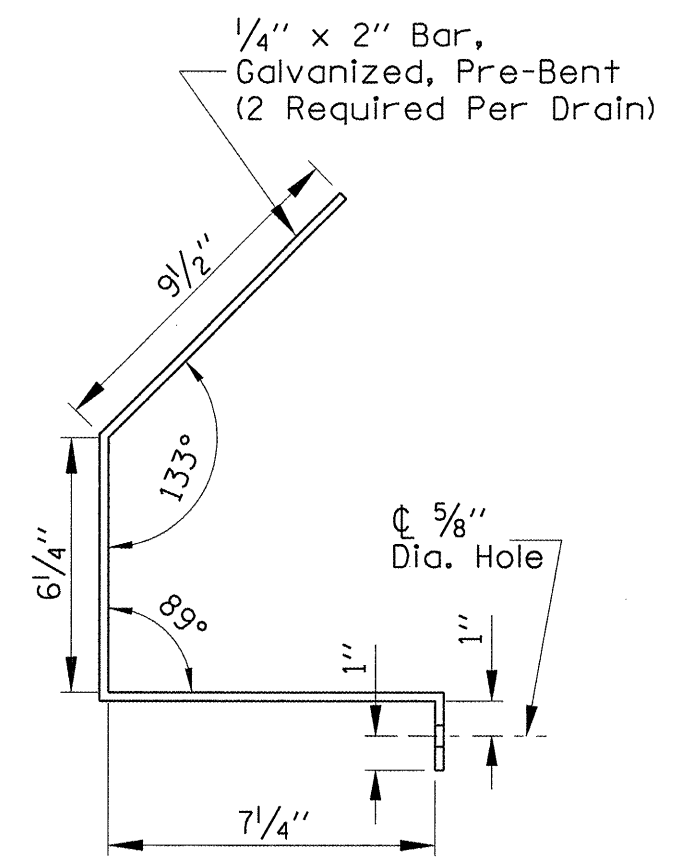


SECTION AT DRAIN



**FLOOR DRAIN
EXTENSION DETAIL**
16 Locations 044-0045
20 Locations 044-0046



BRACKET DETAIL

FLOOR DRAIN EXTENSION
044-0045
044-0046

FILE NAME =	USER NAME = gautneyrk	DESIGNED -	REVISED -	STATE OF ILLINOIS DEPARTMENT OF TRANSPORTATION	SCALE: _____ SHEET NO. _____ OF _____ SHEETS STA. _____ TO STA. _____	F.A.I. RTE.	SECTION	COUNTY	TOTAL SHEETS	SHEET NO.	
D:\Program Development\Studies and Plans\Downstate\Design\BRIDGE MAINT\CONTRACT	Drawings\78109_DRAIN.dgn	CHECKED -	REVISED -			24	09 CM DECK DRAIN EXT FY09-1	JOHNSON MASSACH	16	9	
PLOT SCALE = 5.2953' / IN.	DATE -	REVIS	REVIS			CONTRACT NO. 78109					
PLOT DATE = 12/22/2008	DATE -	REVIS	REVIS			FED. ROAD DIST. NO. ILLINOIS FED. AID PROJECT					