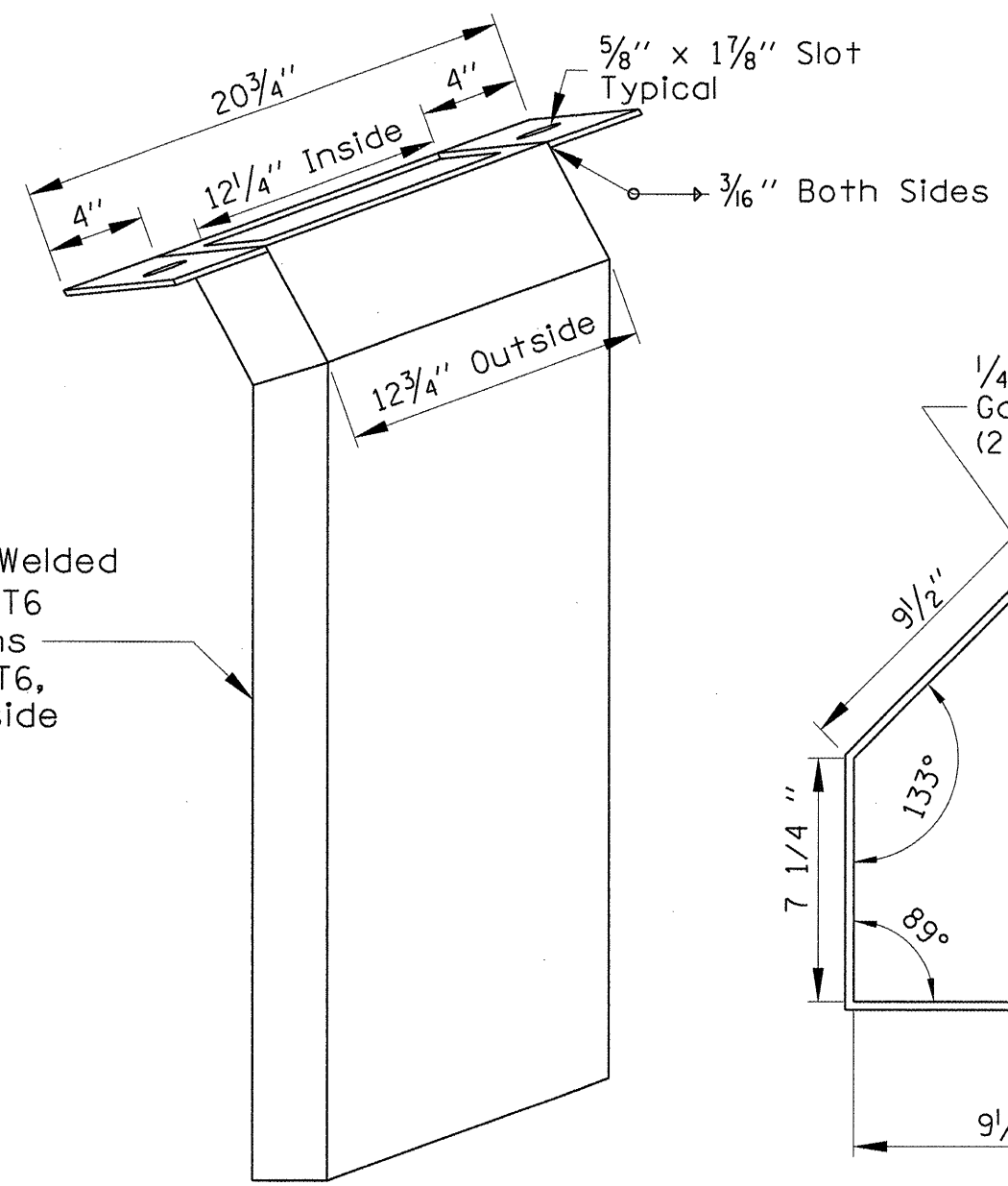
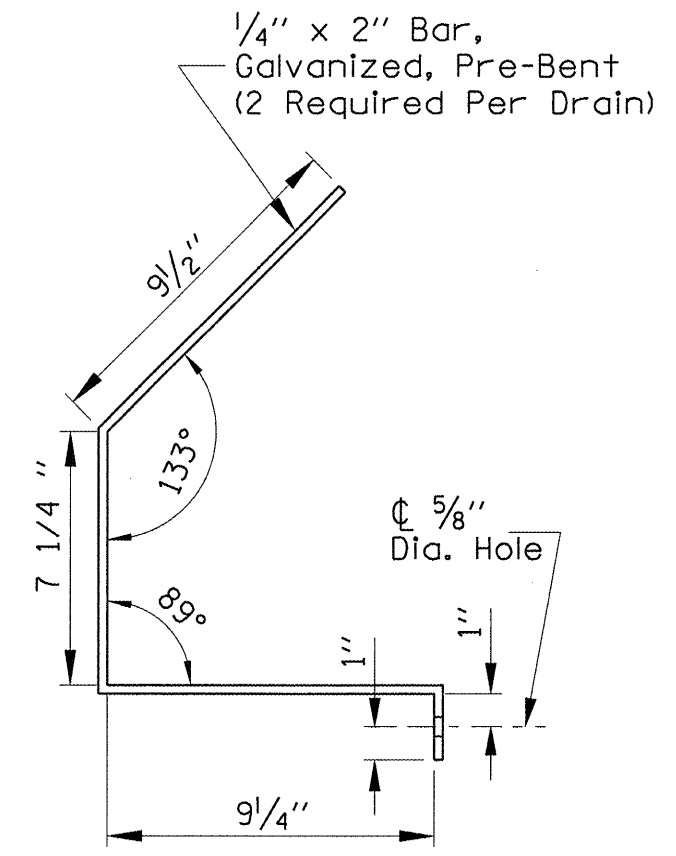


SECTION AT DRAIN



**FLOOR DRAIN
EXTENSION DETAIL**

2 Locations Each Structure



BRACKET DETAIL

FLOOR DRAIN EXTENSION

044-0047
044-0048

FILE NAME = O:\Program Development\Studies and Plan	USER NAME = gautneyrk \Downstairs Design\ZBRIDGE MAINT\CONTRACT	DESIGNED - DRAWINGS\78109_DRAINS.dgn	REVISED - REVISED - REVISED - REVISED -	STATE OF ILLINOIS DEPARTMENT OF TRANSPORTATION	F.A.I. SECTION RTE. 24 09 CM DECK DRAIN EXT FY09-1	COUNTY JOHNSON MASSAC	TOTAL SHEETS 16 SHEET NO. 10	
	PLOT SCALE = 5.2953' / IN.	CHECKED - DATE -	REVISED - REVISED -		SCALE: SHEET NO. OF SHEETS STA. TO STA.	CONTRACT NO. 78109	FED. ROAD DIST. NO. ILLINOIS FED. AID PROJECT	
	PLOT DATE = 12/22/2008	DATE -	REVISED -					