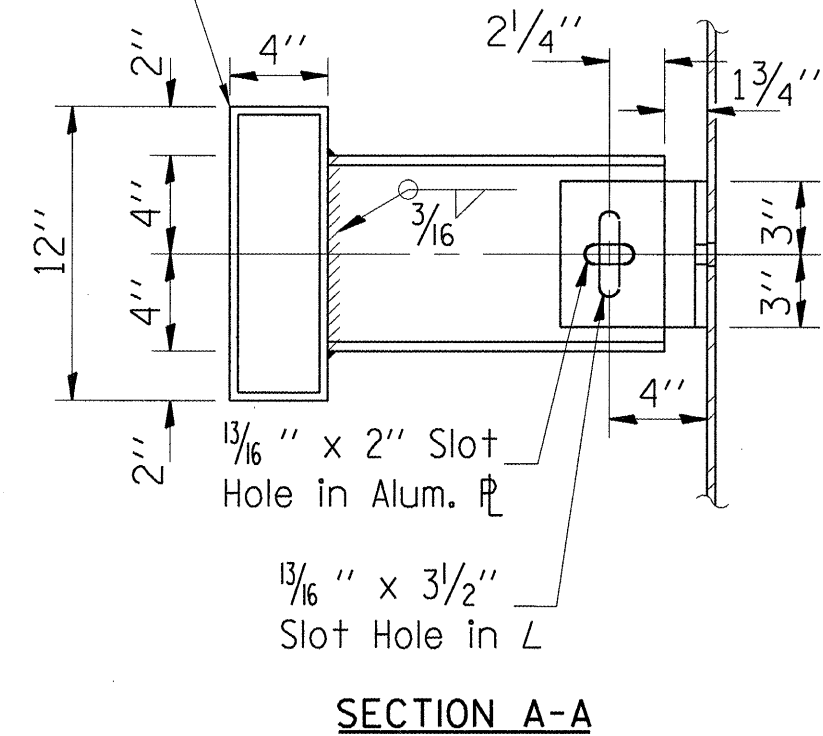
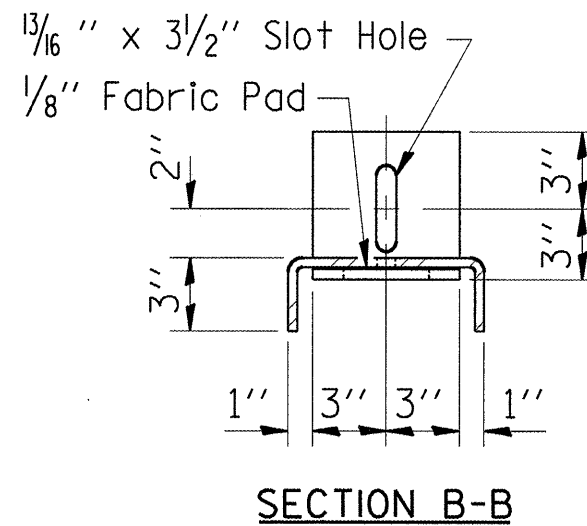


3/16" Aluminum Sheets Welded  
 ASTM: B209 alloy 6061-T6  
 or Aluminum Extrusions  
 ASTM: B221 alloy 6061-T6,



FLOOR DRAIN EXTENSION DETAIL  
 20 Locations

FLOOR DRAIN EXTENSION  
 064-0016

FILE NAME =	USER NAME = gautneyrk	DESIGNED -	REVISD -	<b>STATE OF ILLINOIS DEPARTMENT OF TRANSPORTATION</b>	SCALE: _____ SHEET NO. _____ OF _____ SHEETS STA. _____ TO STA. _____	F.A.L. RTE.	SECTION	COUNTY	TOTAL SHEETS	SHEET NO.	
D:\Program Development\Studies and Plan	\Downstears Design\ZBRIDGE MAINT\CONTRACT	DRAWN	REVISD			24	09 CM DECK DRAIN EXT FY09-1	JOHNSON	16	11	
PLOT SCALE = 5.2953' / IN.		CHECKED	REVISD			CONTRACT NO. 78109					
PLOT DATE = 12/22/2008		DATE	REVISD			ILLINOIS FED. AID PROJECT					