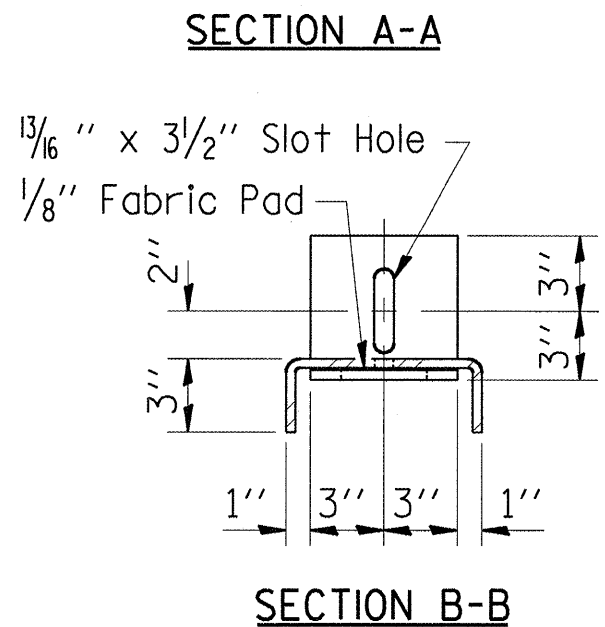
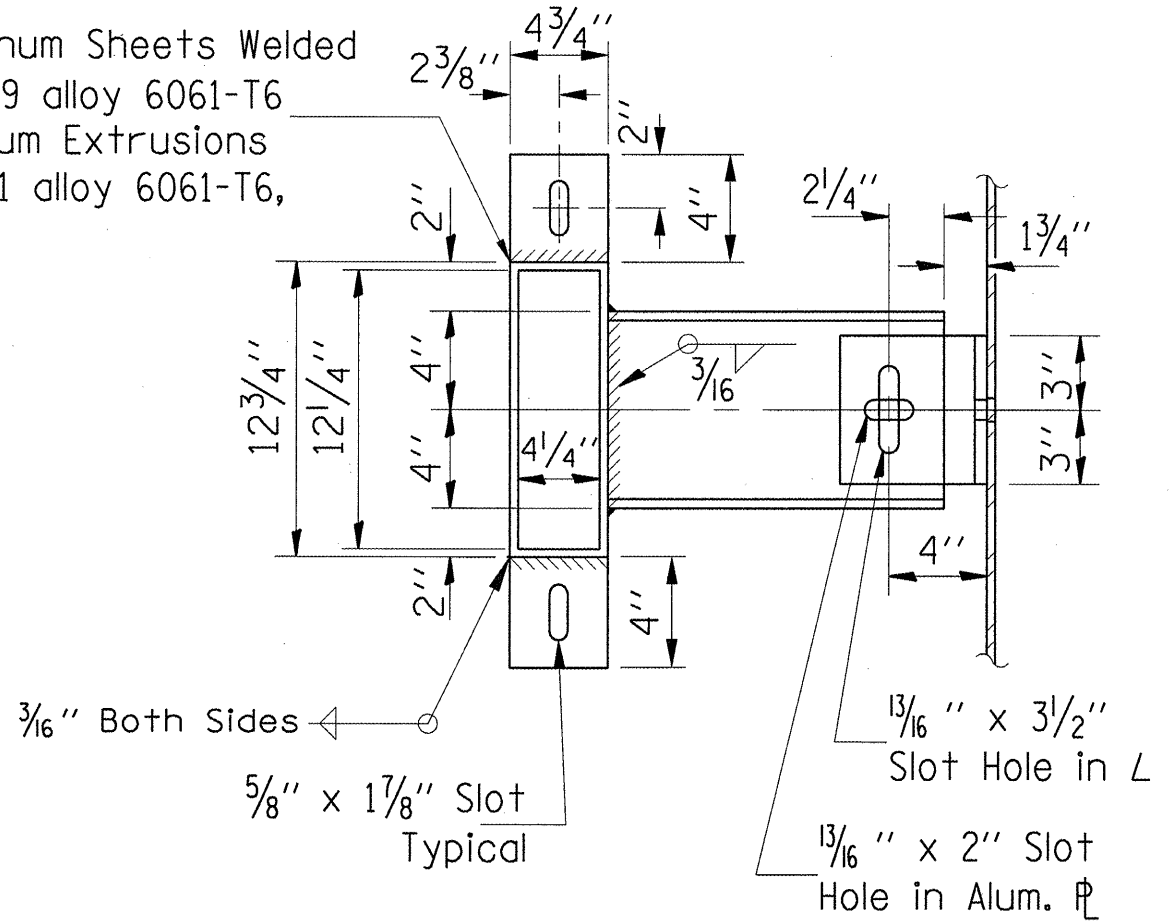
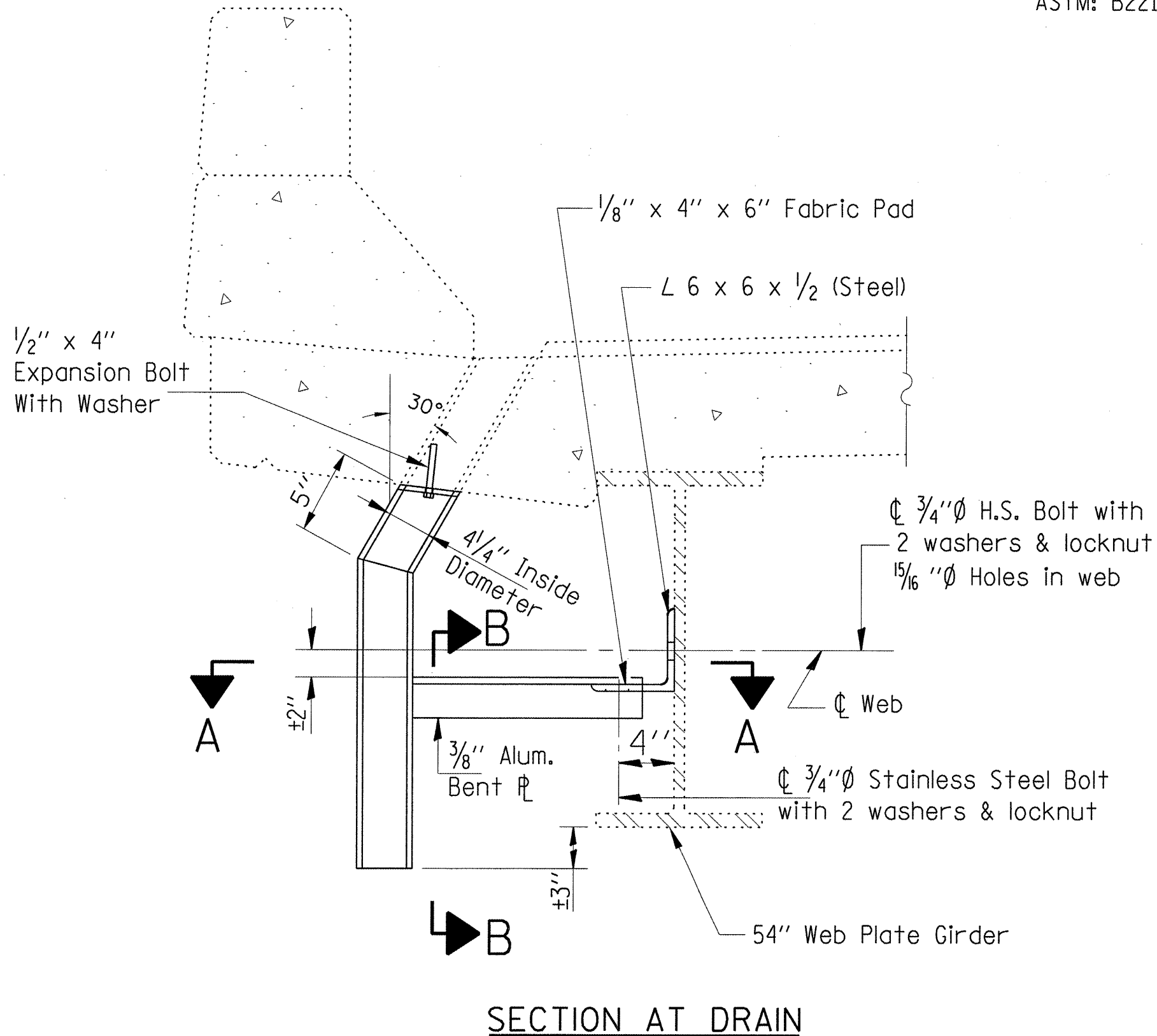


3/16" Aluminum Sheets Welded  
 ASTM: B209 alloy 6061-T6  
 or Aluminum Extrusions  
 ASTM: B221 alloy 6061-T6,



**FLOOR DRAIN EXTENSION DETAIL**  
 32 Locations  
**FLOOR DRAIN EXTENSION**  
 064-0022

FILE NAME =	USER NAME = gautneyrk	DESIGNED	REVISED	<b>STATE OF ILLINOIS</b> <b>DEPARTMENT OF TRANSPORTATION</b>	F.A.I. RTE.	SECTION	COUNTY	TOTAL SHEETS	SHEET NO.
0:\Program Development\Studies and Plan	\Downstairs Design\ZBRIDGE MAINT\CONTRACT	DRAWN	REVISED		24	09 CM DECK DRAIN EXT FY09-1	JOHNSON MASSAC	16	13
PLOT SCALE = 5.2953 / IN.		CHECKED	REVISED		CONTRACT NO. 78109				
PLOT DATE = 12/22/2008		DATE	REVISED		FED. ROAD DIST. NO. ILLINOIS FED. AID PROJECT				