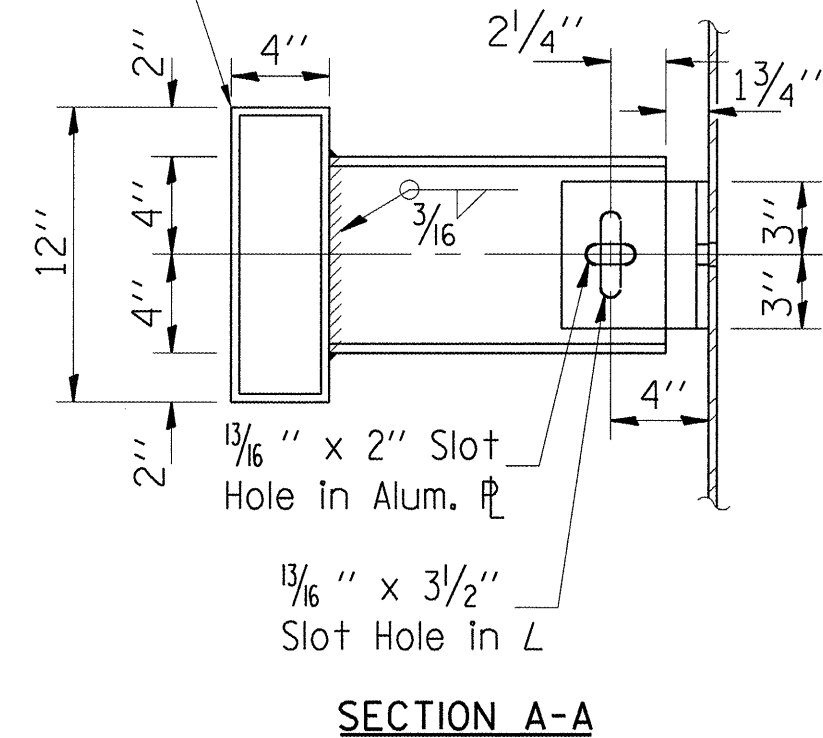
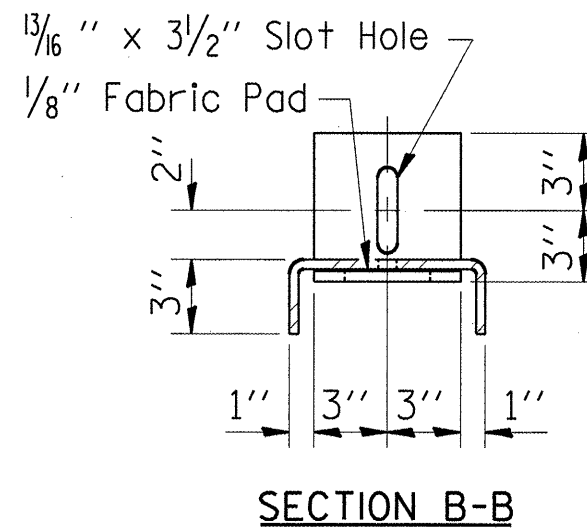


3/16" Aluminum Sheets Welded
 ASTM: B209 alloy 6061-T6
 or Aluminum Extrusions
 ASTM: B221 alloy 6061-T6,



FLOOR DRAIN EXTENSION DETAIL
 13 Locations

FLOOR DRAIN EXTENSION
 064-0037

FILE NAME =	USER NAME = gautneyrk	DESIGNED -	REVISED -
D:\Program Development\Studies and Plans\Downstairs Design\ZBRIDGE MAINT.CONTRACT	DRAWN: INS\76189_DRAINS.dgn	CHECKED -	REVISED -
PLOT SCALE = 5.2953' / IN.	DATE -	DATE -	REVISED -
PLOT DATE = 12/22/2008			

STATE OF ILLINOIS
 DEPARTMENT OF TRANSPORTATION

SCALE: _____	SHEET NO. _____ OF _____ SHEETS	STA. _____ TO STA. _____
--------------	---------------------------------	--------------------------

F.A.L. RTE.	SECTION	COUNTY	TOTAL SHEETS	SHEET NO.
24	09 CM DECK DRAIN EXT FY09-1	JOHNSON MASSAC.	16	15
CONTRACT NO. 78109				
FED. ROAD DIST. NO. [ILLINOIS] FED. AID PROJECT				