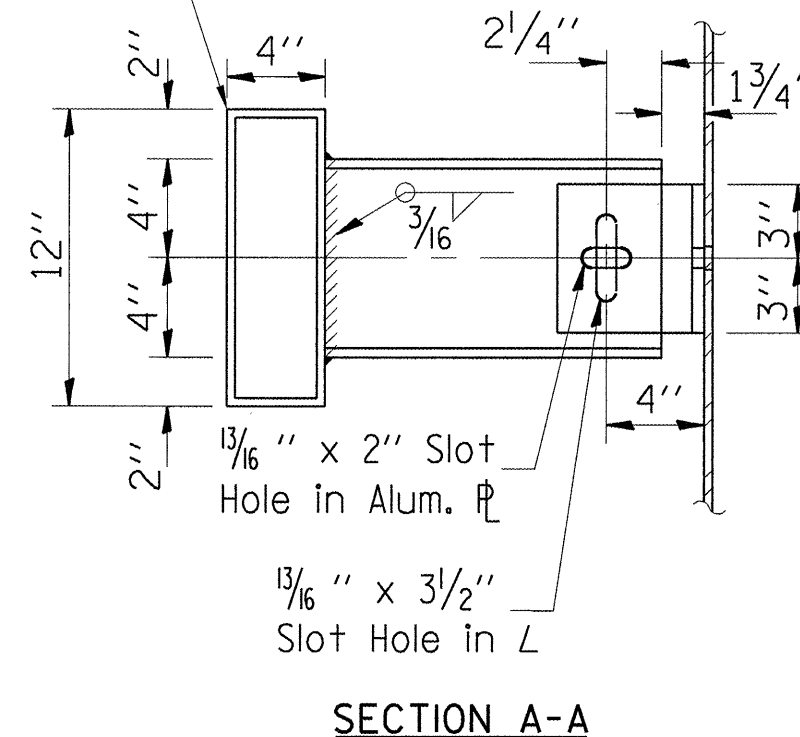
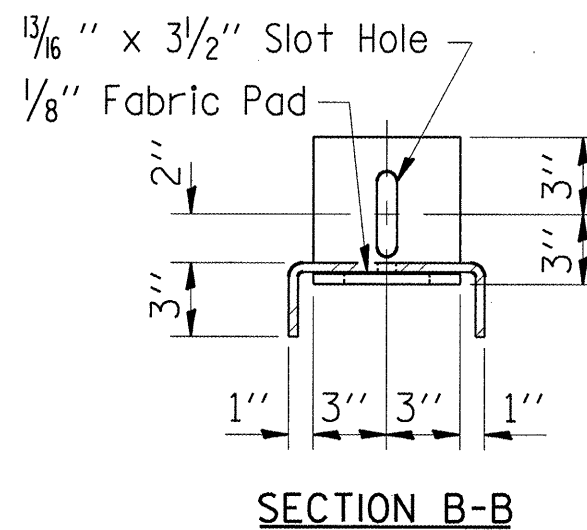


3/16" Aluminum Sheets Welded  
 ASTM: B209 alloy 6061-T6  
 or Aluminum Extrusions  
 ASTM: B221 alloy 6061-T6,



FLOOR DRAIN EXTENSION DETAIL  
 10 Locations

FLOOR DRAIN EXTENSION  
 064-0038

|   |                            |            |           |
|---|----------------------------|------------|-----------|
| FILE NAME =   | USER NAME = gautneyrk      | DESIGNED - | REVISED - |
| D:\Program Development\Studies and Plans\Downstairs Design\ZBRIDGE MAINT\CONTRACT | DRAIN\INS\78109_DR@INS.dgn | CHECKED -  | REVISED - |
| PLOT SCALE = 5.2953' / IN.  | DATE -                     | DATE -     | REVISED - |
| PLOT DATE = 12/22/2009  |                            |            |           |

STATE OF ILLINOIS  
 DEPARTMENT OF TRANSPORTATION

|              |                                 |                          |
|--------------|---------------------------------|--------------------------|
| SCALE: _____ | SHEET NO. _____ OF _____ SHEETS | STA. _____ TO STA. _____ |
|--------------|---------------------------------|--------------------------|

| F.A.I. RTE.                                   | SECTION                     | COUNTY         | TOTAL SHEETS | SHEET NO. |
|---|-----------------------------|----------------|--------------|-----------|
| 24  | 09 CM DECK DRAIN EXT FY09-1 | JOHNSON MASSAC | 16           | 16        |
| CONTRACT NO. 78109                            |                             |                |              |           |
| FED. ROAD DIST. NO. ILLINOIS FED. AID PROJECT |                             |                |              |           |