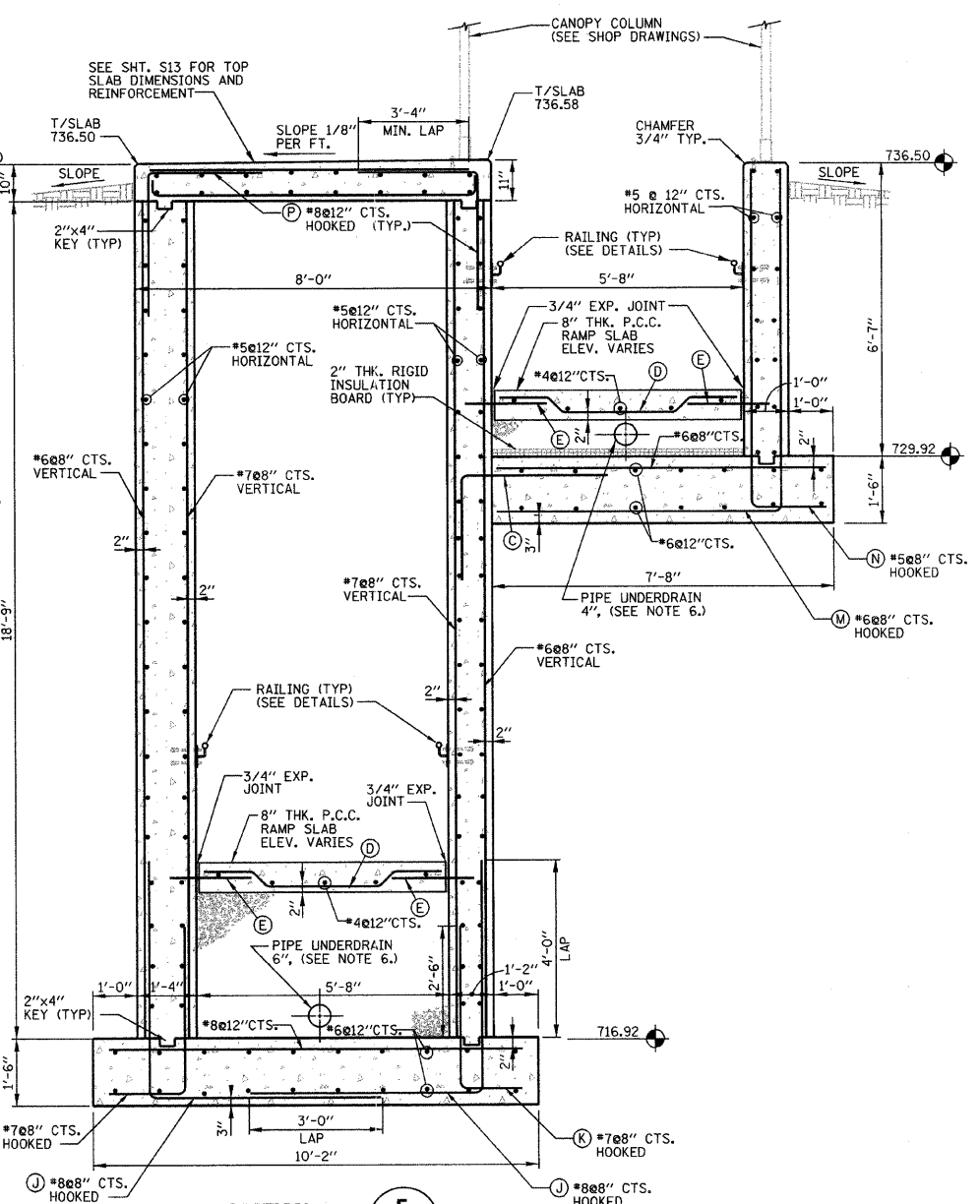
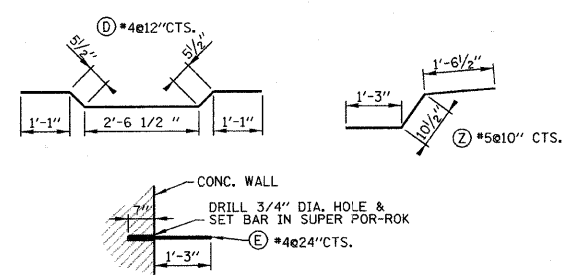


**SECTION 4**  
 SCALE: 1/2" = 1'-0"  
**S5**

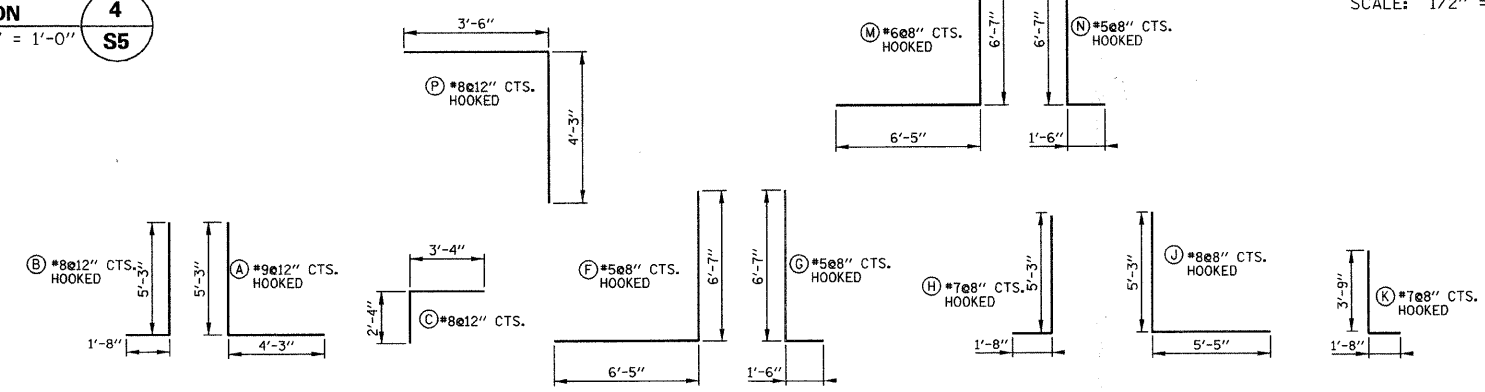


**SECTION 5**  
 SCALE: 1/2" = 1'-0"  
**S5**

- NOTES:**
- ALL CONCRETE SHALL BE CLASS "SI".
  - ALL REBAR CLEARANCE DIMENSIONS ARE CLEAR COVER (NOT TO THE CENTER OF THE BAR).
  - ALL CONCRETE WALL SURFACES TO BE EXPOSED IN THE FINAL CONDITION SHALL HAVE Voids FILLED WITH NON-SHRINK GROUT AND BE RUBBED SMOOTH. EXPOSED WALL SURFACES SHALL THEN BE FINISHED WITH A GLOSS EPOXY LIGHT GRAY PROTECTIVE COATING (TMEMEC OR APPROV. EQUAL) ACCORDING TO THE SPECIFICATIONS TO A HEIGHT OF SIX INCHES BELOW THE FINISHED GRADE ELEVATION.
  - ALL CONCRETE SURFACES THAT WILL BE IN CONTACT WITH EARTH BACKFILL AND/OR PAVEMENT SHALL BE PROVIDED WITH WATERPROOF TAR EPOXY PAINT COATING ON EXTERIOR OF CONCRETE WALLS TO A HEIGHT OF 6 INCHES BELOW THE FINISHED GRADE ELEVATION.
  - RAMP SURFACES AND TUNNEL FLOOR MEMBRANE CURING SHALL BE APPLIED AS SPECIFIED IN SECTION 722 OF THE STATE OF ILLINOIS "STANDARD SPECIFICATIONS FOR ROAD AND BRIDGE CONSTRUCTION", LATEST EDITION, W.R. MEADOWS VOCOMP-20 CURE & SEAL, OR APPROVED EQUAL. SHALL BE USED PER MANUFACTURER'S SPECIFICATIONS. FINISHED SURFACES SHALL RECEIVE A LIGHT BROOM FINISH AT RIGHT ANGLES TO THE EDGES OF THE RAMP. EXPANSION AND CONTRACTION JOINTS SHALL BE CONSTRUCTED PER I.D.O.T. STD. 42001-07 WHERE SHOWN ON THE PLANS.
  - PIPE UNDERDRAIN SHALL BE PERFORATED CORRUGATED POLYETHYLENE TUBING WITH FILTER SOCK PER I.D.O.T. 1040.04
  - SEE SHT. S7 FOR NORTH RAMP BILL OF MATERIALS.



**TYPICAL REINFORCEMENT DETAILS**  
 SCALE: 1/2" = 1'-0"



**TYPICAL REINFORCEMENT DETAILS**  
 SCALE: 1/4" = 1'-0"

IN:\DGN\VF\VF451\SHEETS\STRUCTURAL\VF451-SB-NRAMP-SECT1.DGN  
 12/19/2008 3:11:06 PM

This drawing shall not be used nor reproduced either wholly or in part except when authorized by the engineer - Rempe-Sharpe

ACTION	NAME	No.	Date	Revisions	By
Design	J.B.				
Drawn	D.B.E.				
Checked	S.S.				

**REMPE-SHARPE**  
 CONSULTING ENGINEERS  
 IL P.D.F. LICENSE NO. 184-000895  
 324 WEST STATE STREET - GENEVA, ILLINOIS 60134  
 Telephone (830) 232-0827 - Fax (830) 232-1628

PROJECT  
**PEDESTRIAN UNDERPASS  
 AT METRA STATION  
 WINFIELD, ILLINOIS**

SHEET TITLE  
**NORTH RAMP  
 SECTIONS AND DETAILS**

SCALE	PROJECT NO.	SHEET
NOTED	WF-451	No. <b>S8</b>
	DATE	Of <b>S16</b>
	DEC. 19, 2008	