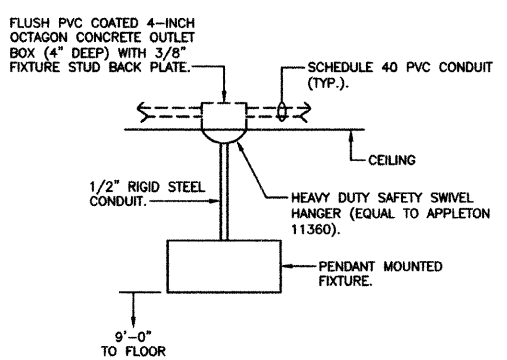
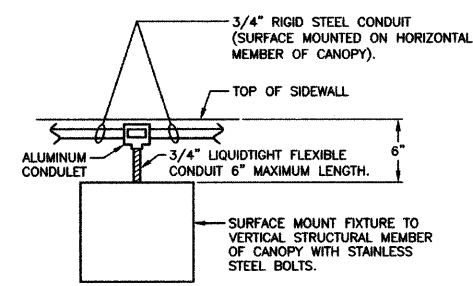


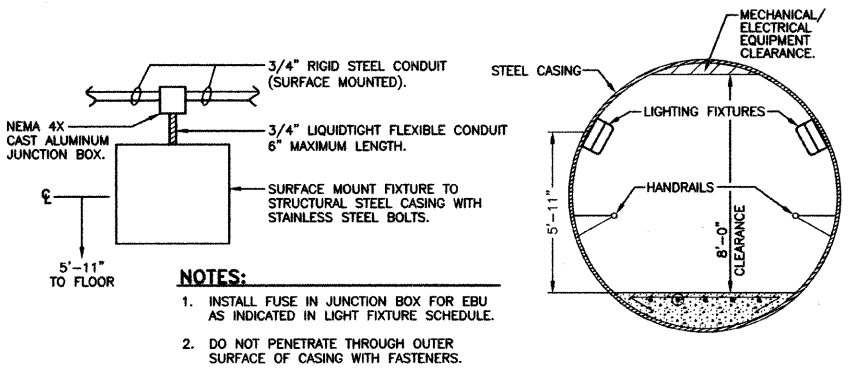
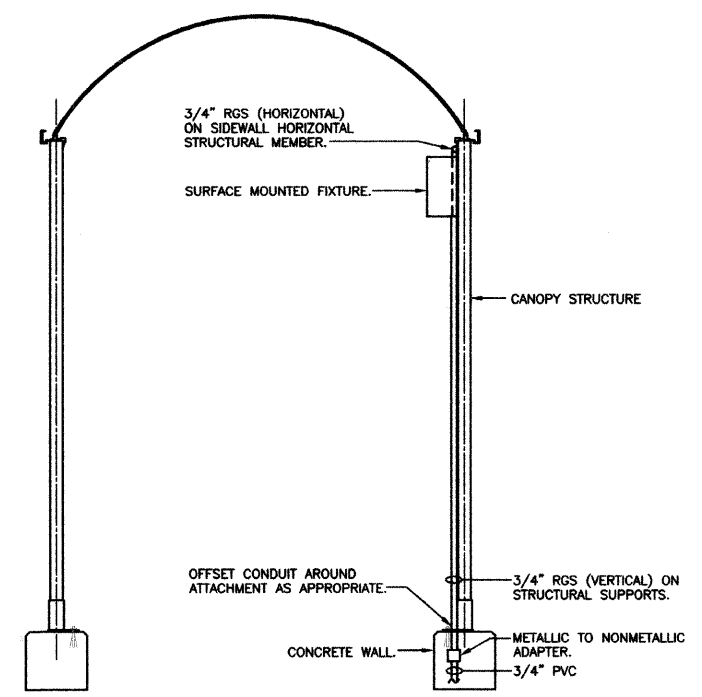
1 FIXTURE TYPE A MOUNTING DETAIL
E4 NOT TO SCALE



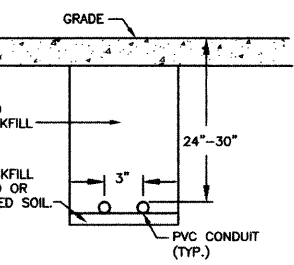
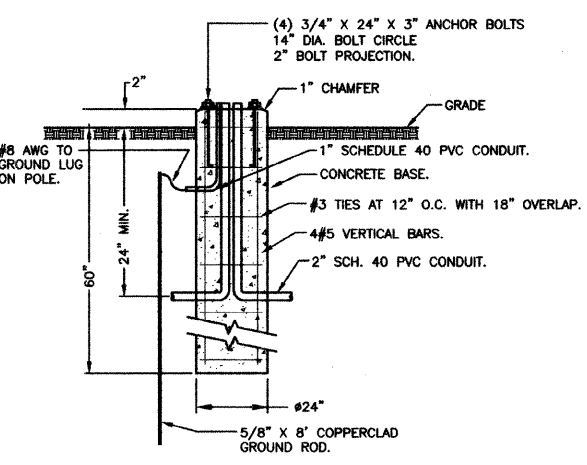
2 FIXTURE TYPE A1 MOUNTING DETAIL
E4 NOT TO SCALE



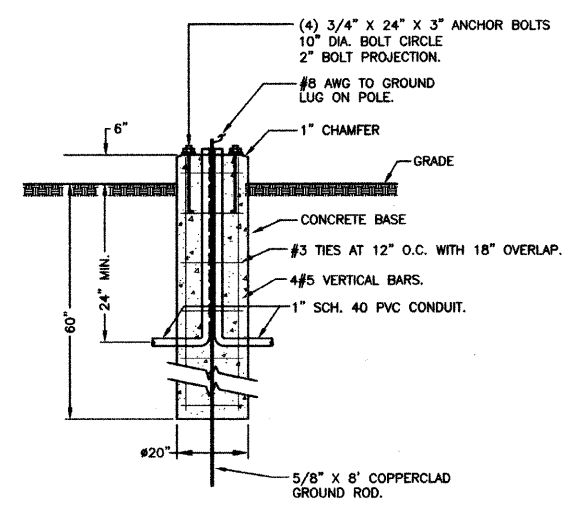
3 FIXTURE TYPE C AND EBU (IN CANOPY AREAS) MOUNTING DETAIL
E4 NOT TO SCALE



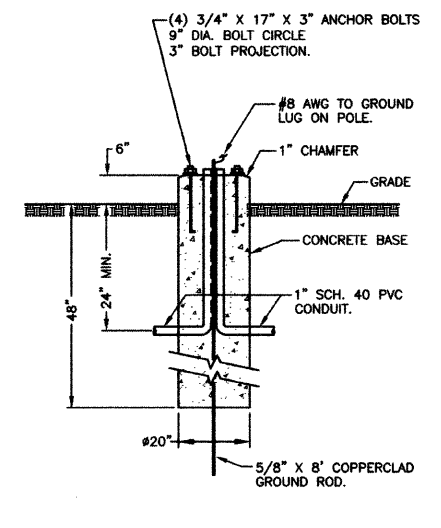
4 FIXTURE TYPE B AND EBU (IN STEEL CASING) MOUNTING DETAIL
E4 NOT TO SCALE



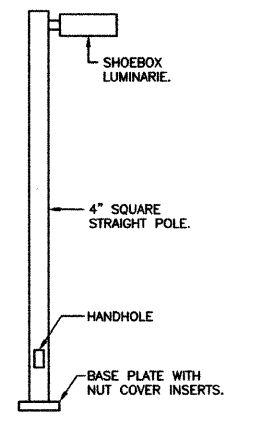
7 LIGHTING UNITS E1-E4 CONCRETE BASE DETAIL
E4 NOT TO SCALE



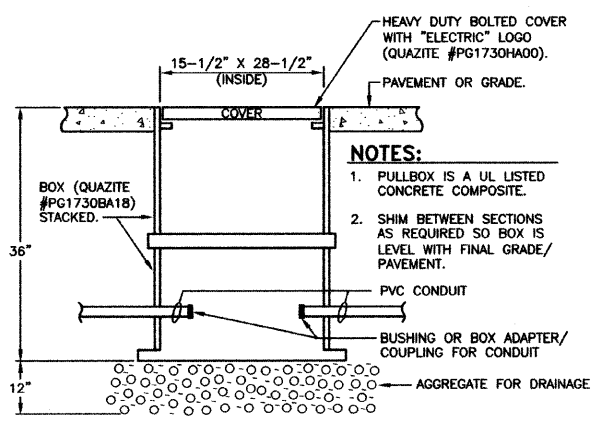
8 LIGHTING UNIT E8 CONCRETE BASE DETAIL
E4 NOT TO SCALE



9 LIGHTING UNIT D CONCRETE BASE DETAIL
E4 NOT TO SCALE



10 TYPE D LIGHTING UNIT DETAIL
E4 NOT TO SCALE



5 PULL BOX DETAIL
E4 NOT TO SCALE

This drawing shall not be used nor reproduced either wholly or in part except when authorized by the engineer - Rempe-Sharpe

ACTION	NAME	No.	Date	Revisions	By
Design	G.S.				
Drawn	B.E.F.				
Checked	G.S.				

Powrtex Engineering, Inc.
20900 SWENSON DR., SUITE 570
WAUKESHA, WI 53088
VOICE: 262.827.9875
FAX: 262.827.9645

REMPE-SHARPE CONSULTING ENGINEERS
IL P.D.F. LICENSE NO. 184-000895
324 WEST STATE STREET - GENEVA, ILLINOIS 60134
Telephone (830) 232-0827 - Fax (830) 232-1629

PROJECT
PEDESTRIAN UNDERPASS WINFIELD, ILLINOIS

SHEET TITLE
ELECTRICAL DETAILS

SCALE	PROJECT NO.	SHEET
NONE	WF-451	No. E4
	DATE	Of E5
	DEC. 19, 2008	