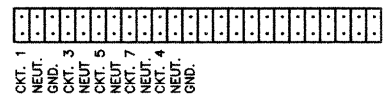
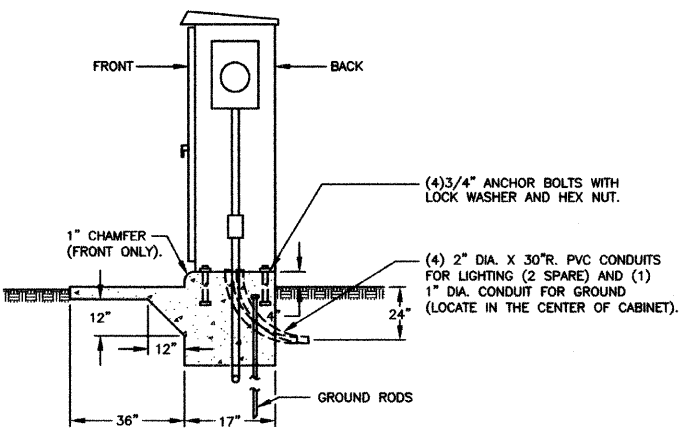


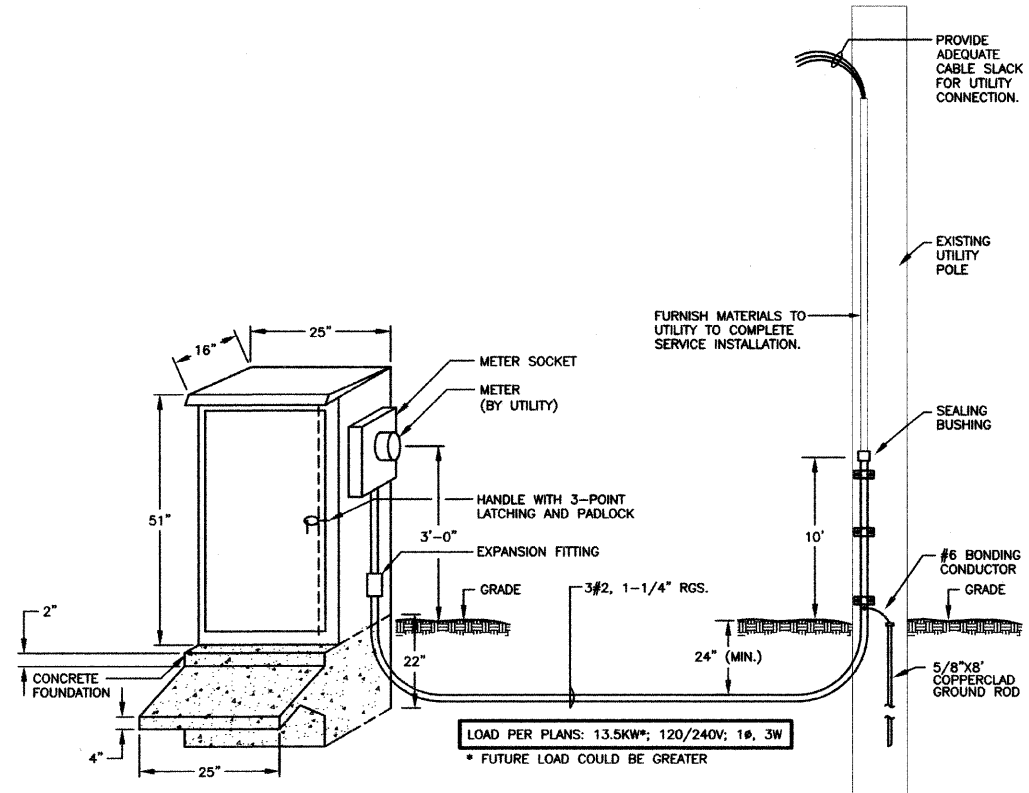
EQUIPMENT LAYOUT



TERMINAL STRIP DETAIL



SIDE VIEW



CABINET VIEW

EQUIPMENT:

- (A) UTILITY APPROVED 0-200A, 1PH, 3W, 120/240V METER SOCKET
- (B) 100A MCB, 120/240V, 1PH, 3W, 20CKT. 14" WIDE X 26" HIGH SQUARE D NOOD PANELBOARD WITH (4) 30A/1P (LTG), (1) 15A/2P (SURGE ARRESTER), (1) 15A/1P (CAB. LT/RECEPT), (1) 20A/1P (SUMP PUMP) AND (1) 15A/1P (CONTROL) BOLT-ON BRANCH CIRCUIT BREAKERS. RATED 22K AIC (MIN.).
- (C) 30A, 8P, 600V (SQUARE D LG SERIES) ELECTRICALLY HELD CONTACTOR, WITH 120V CONTROL COIL, AND HAND-OFF-AUTO SWITCH IN FACTORY ASSEMBLED NEMA 1 ENCLOSURE. PROVIDE "EXTERIOR LIGHT" ENGRAVED PLAQUE ON COVER.
- (D) PHOTOCCELL INSTALLED IN OVERHANG OF CABINET ABOVE DOOR (FACING DOWN).
- (E) FIELD WIRING TERMINATION STRIP (24 SQ. D GD6 BLOCKS WITH END BARRIERS AND STANDARD MOUNTING TRACK).
- (F) TRANSIENT VOLTAGE SURGE SUPPRESSOR (EQUAL TO INTERMATIC IG1240RC).
- (G) PHENOLIC LAMP HOLDER (75A19 LAMP) WITH PULL CHAIN.
- (H) GFCI RECEPTACLE (EQUAL TO P&S 1594HG).

NOTES:

- 1. ALL CONTROL WIRING SHALL BE COLOR CODED #12 AWG, USE/XLP UNLESS OTHERWISE NOTED.
- 2. ALL POWER AND CONTROL WIRING SHALL BE NEATLY ROUTED, LABELED AND SUPPORTED.
- 3. THE LIGHTING CONTROL CABINET SHALL BE COMPLETELY WIRED UP TO THE FIELD WIRING TERMINATION STRIP BY A UL LISTED PANEL BUILDER AND TESTED PRIOR TO INSTALLATION AT THE SITE.
- 4. A COPY OF THIS SHEET WITH AS-BUILT (RECORD) CONDITIONS SHALL BE PUT IN A PLASTIC PROTECTOR IN THE CABINET.
- 5. THE CONTRACTOR SHALL COMPLY WITH UTILITY INSTALLATION AND METERING REQUIREMENTS.
- 6. USE #12AWG CONDUCTORS FROM THE 15A CB'S, #10AWG CONDUCTORS FROM THE 30A CB'S AND #6AWG CONDUCTORS FROM THE 60A CB TO THE FIELD WIRING TERMINATION STRIP. PROVIDE A GROUND WIRE AND NEUTRAL WIRE TO FIELD WIRING TERMINATION STRIP FROM PANELBOARD FOR EACH UNDERGROUND CABLE RUN AS REQUIRED.
- 7. ROUTE CIRCUITS 1 & 3 ONLY THROUGH THE CONTACTOR.
- 8. CABINET TO OPEN AWAY FROM ROADWAY/SIDEWALK.
- 9. COORDINATE TELEPHONE CONNECTION WITH TELEPHONE COMPANY AND OWNER.

1 LIGHTING CONTROL CABINET
E5 NOT TO SCALE

This drawing shall not be used nor reproduced either wholly or in part except when authorized by the engineer - Rempe-Sharpe	ACTION	NAME				<p>20900 SWENSON DR., SUITE 570 WAUKESHA, WI 53886 PHONE: 262-827-9979 FAX: 262-827-9485</p>	<p>REMPE-SHARPE CONSULTING ENGINEERS IL P.D.F. LICENSE NO. 184-000895 324 WEST STATE STREET - GENEVA, ILLINOIS 60134 Telephone (630) 232-0827 - Fax (630) 232-1629</p>	PROJECT	SHEET TITLE	SCALE	PROJECT NO.	SHEET	
	Design	G.S.							PEDESTRIAN UNDERPASS WINFIELD, ILLINOIS	ELECTRICAL DETAILS	NONE	WF-451	No. E5
	Drawn	B.E.F.										DATE	Of E5
	Checked	G.S.	No.	Date	Revisions			By				DEC. 19, 2008	