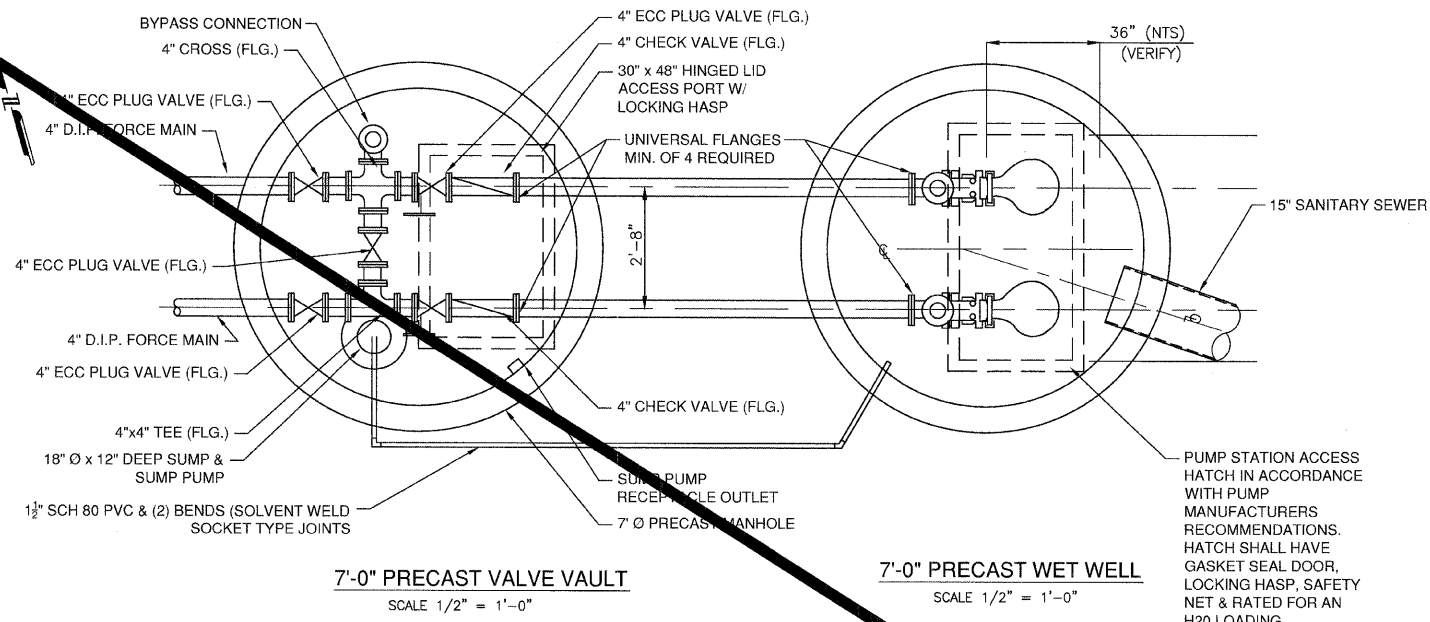


DATE	
BY	
PROJECT	
PLANNING	
DESIGN	
CONSTRUCTION	
OPERATION	
NO.	

DATE	
BY	
PROJECT	
PLANNING	
DESIGN	
CONSTRUCTION	
OPERATION	
NO.	

DATE	
FILE NAME	
SCALE	
USER NAME	

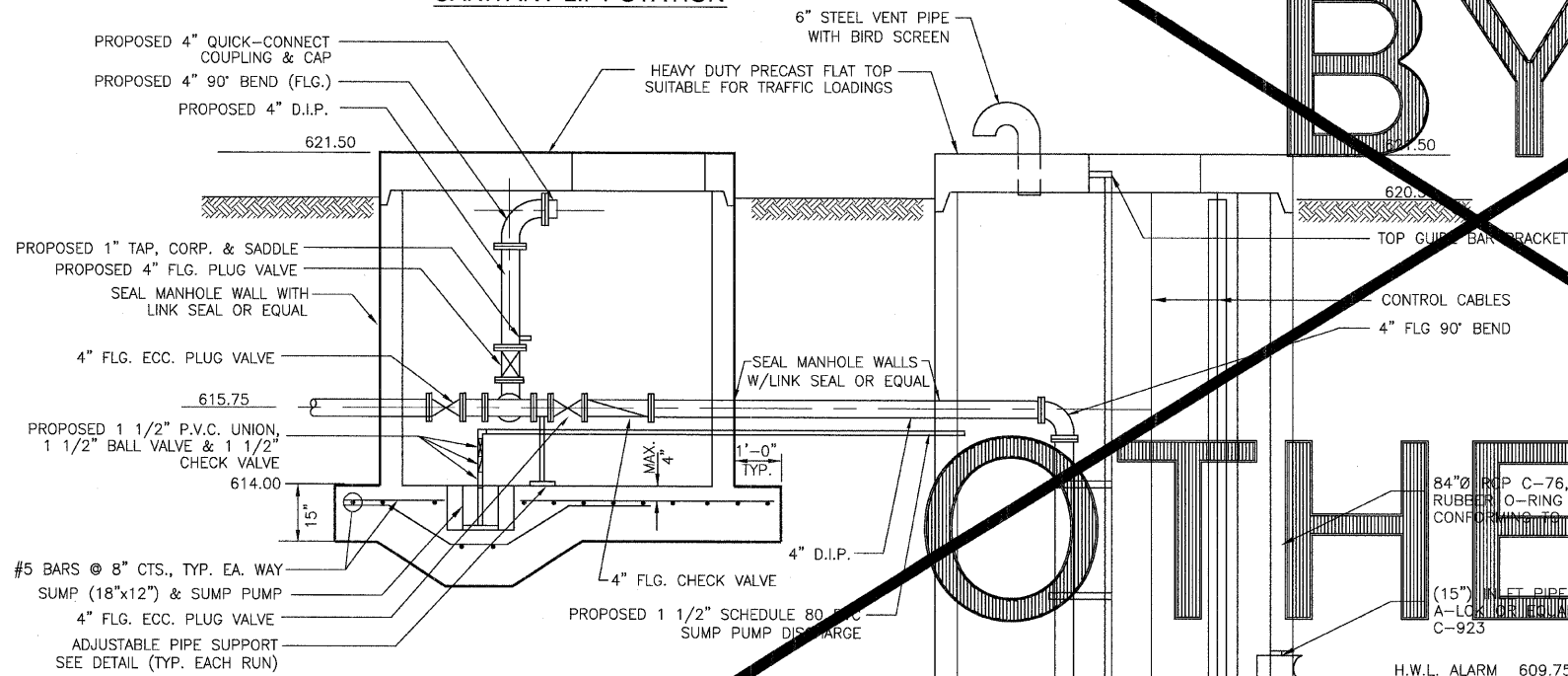


7'-0" PRECAST VALVE VAULT  
SCALE 1/2" = 1'-0"

7'-0" PRECAST WET WELL  
SCALE 1/2" = 1'-0"

PLAN  
SANITARY LIFT STATION

BY

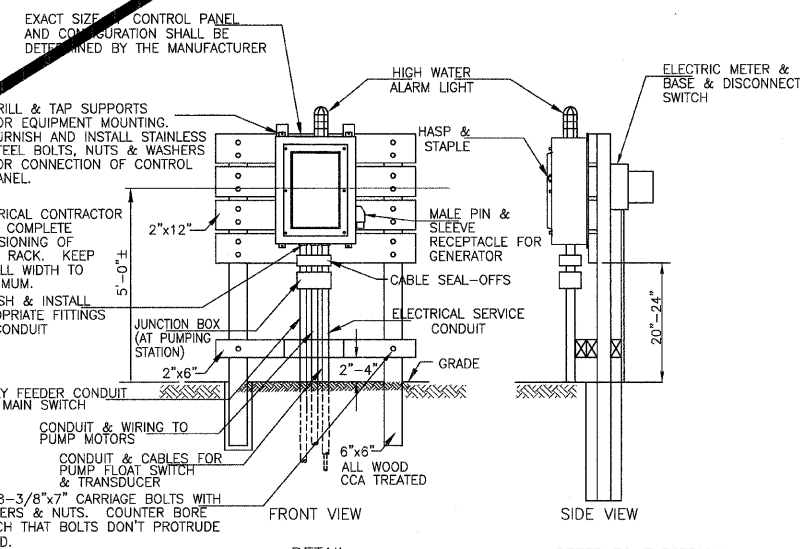


NOTE:  
BASE SECTION TO BE  
POURED IN BASE SLAB  
O-RING M.H. JOINT BETWEEN  
BASE SLAB & BARREL SECTION  
ACCEPTABLE ALTERNATE

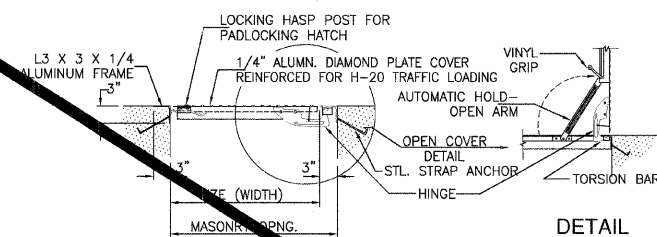
7'-0" PRECAST VALVE VAULT  
ELEVATION  
SCALE 1/2" = 1'-0"

7'-0" PRECAST WET WELL  
ELEVATION  
SCALE 1/2" = 1'-0"

FOOTNOTHERS



CONTROL PANEL ENCLOSURE  
NO SCALE



ALUMINUM COVERS  
TYPICAL CROSS SECTION  
NO SCALE

- H.W.L. ALARM 609.75
- 2 PUMPS ON 609.04
- PUMP ON 605.43
- L.W.L. 605.25
- CONT. FLOW W/ALIVE WATER STOP 603.25
- 84"Ø RCP C-76, CLASS I WITH RUBBER O-RING GASKETS CONFORMING TO ASTM C 1425
- (15") ST. PIPE E. 609.04 A-LOCK EQUALIZER ASST. C-923
- FASTEN 6" P.V.C. STILLING PIPE WITH B-LINE STRUTS. B-22 S.S. WITH PIPE STRANDS, S.S. HARDWARE & CHEM. ANCHOR BOLTS. USE S.S. STRUCTURAL MEMBERS TO BLOCK STRUTS IF REQ'D.