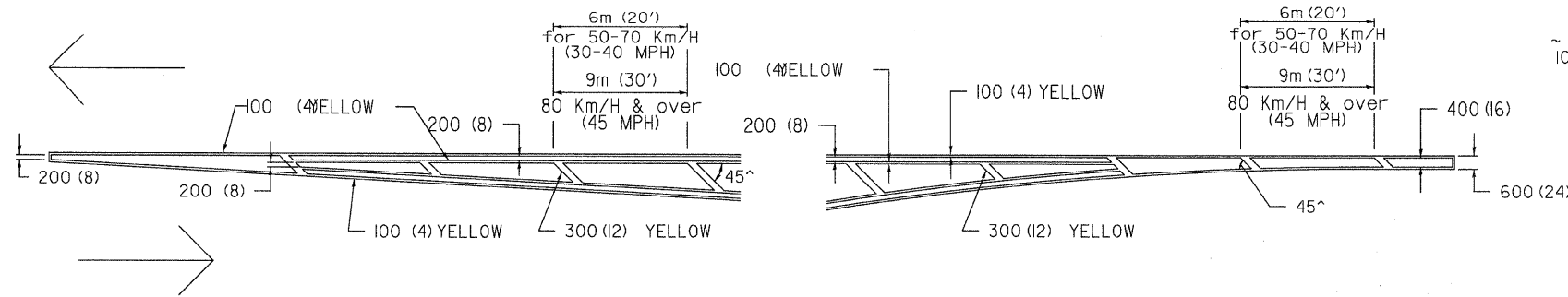
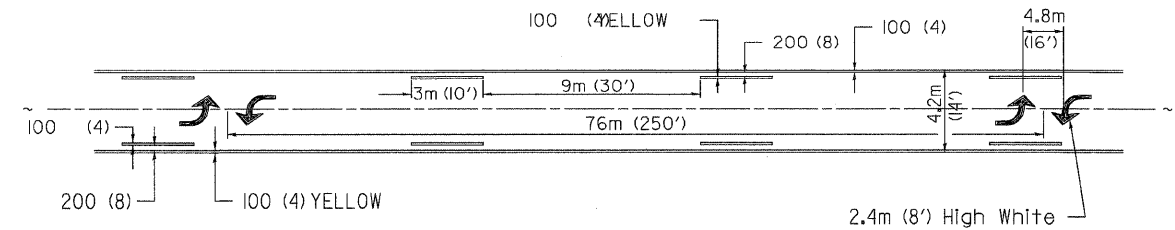


TYPICAL PAVEMENT MARKINGS

TYPICAL PAVEMENT MARKING FOR FLUSH MEDIAN AT LEFT TURN LANE

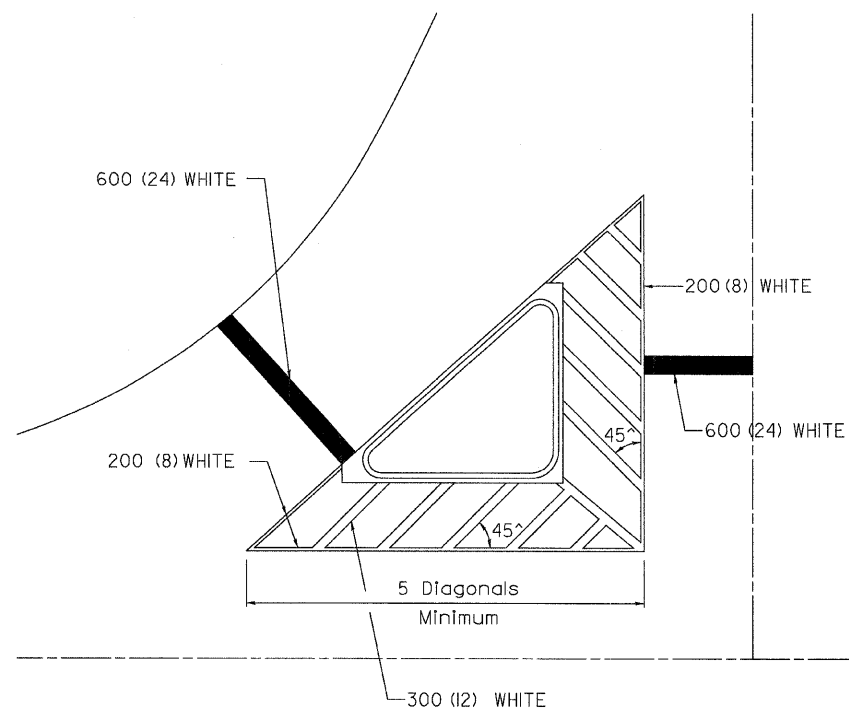


MEDIAN PAVEMENT MARKING

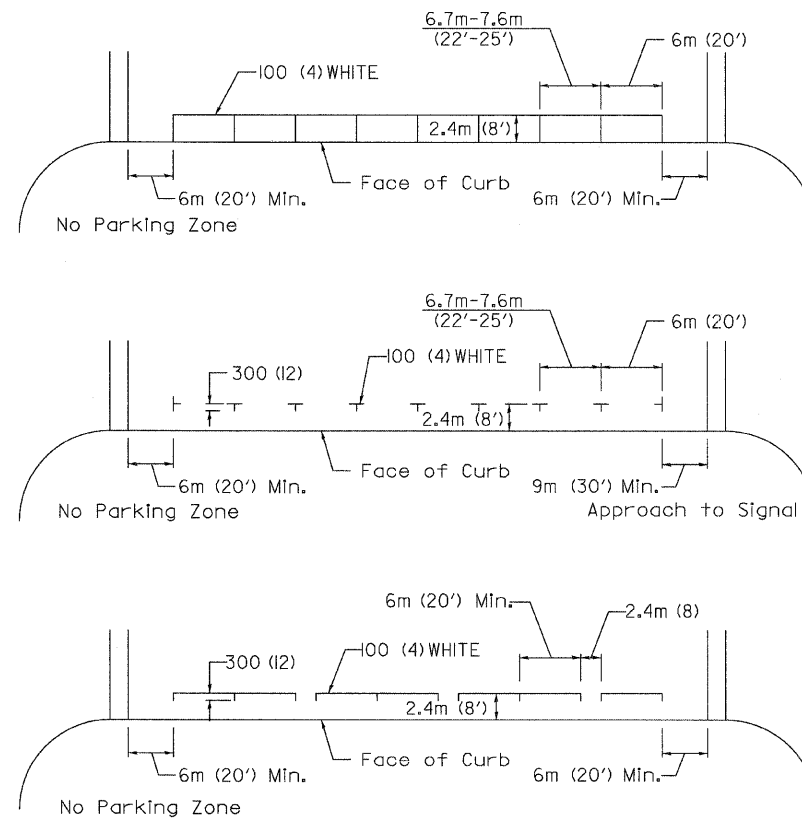


•• ALL DIMENSIONS ARE IN MILLIMETERS (INCHES) UNLESS OTHERWISE NOTED.

TYPICAL ISLAND OFFSET SHOULDER WIDTH

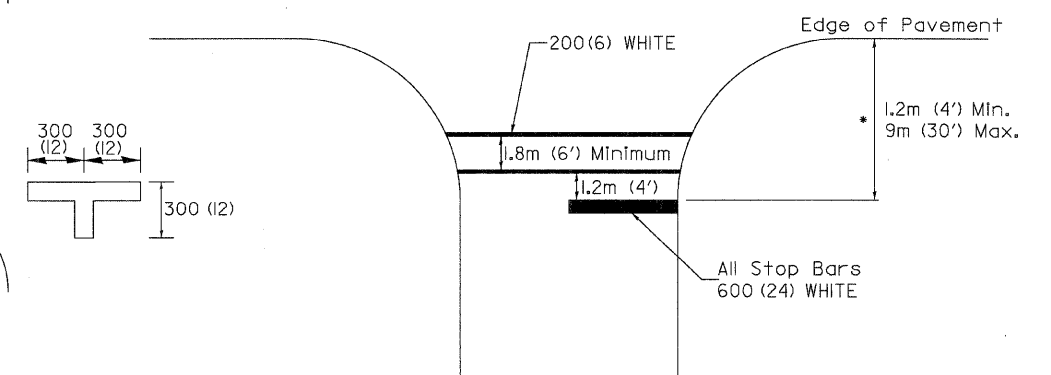


TYPICAL PARKING SPACING



STANDARD CROSSWALK MARKING

See Schedules for Locations



* Distance to the nearest edge of the intersecting roadway in the absence of a marked crosswalk.

FILE NAME = *FILEL*	USER NAME = *USER*	DESIGNED - ---	REVISED - 10-21-08	STATE OF ILLINOIS DEPARTMENT OF TRANSPORTATION	REGION 2 / DISTRICT 2 STANDARD	LOCAL RTE. MS. 1040	SECTION 05-00010-00-PV	COUNTY HENRY	TOTAL SHEETS 136	SHEET NO. 127	
	PLOT SCALE = *SCALE*	DRAWN - ---	REVISED - ---			SCALE: -----	SHEET NO. 127 OF 136 SHEETS	STA. ----- TO STA. -----	FED. ROAD DIST. NO. - ILLINOIS FED. AID PROJECT	CONTRACT NO. 85428	
	PLOT DATE = *DATE*	CHECKED - ---	REVISED - ---								
		DATE - -----	REVISED - ---								