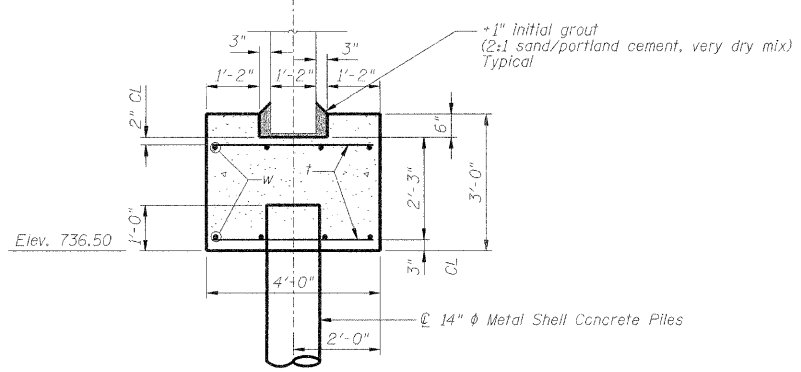
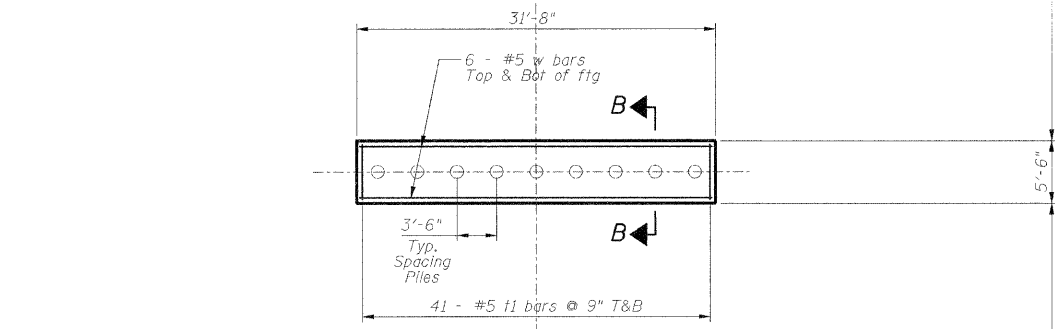
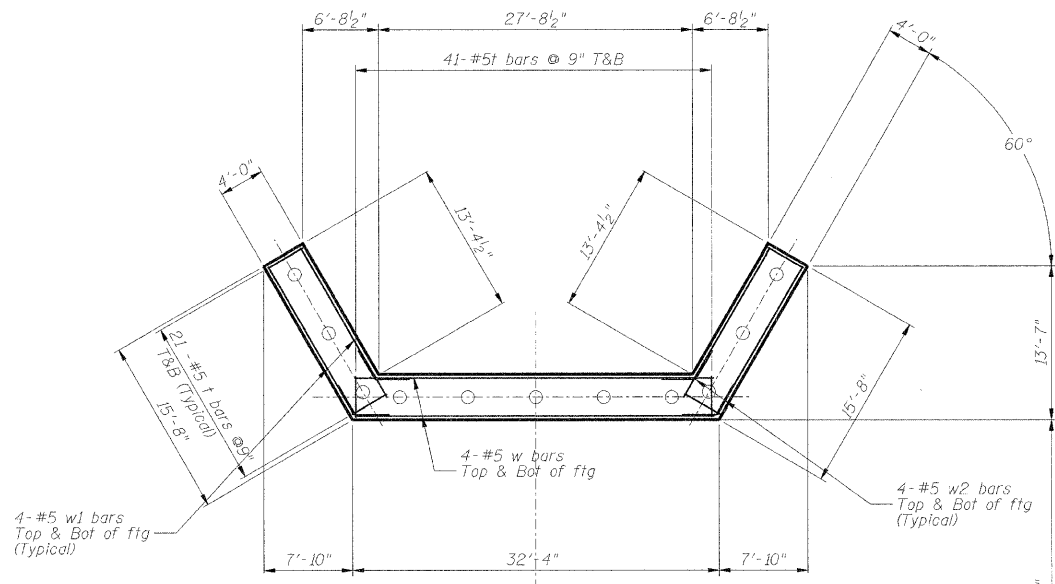
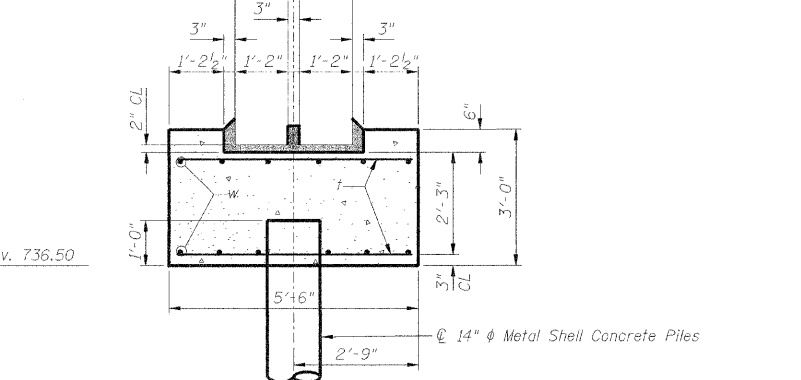


C.H.	SECTION	COUNTY	TOTAL SHEETS	SHEET NO.
23	06-0004-00-00	WINNEBAGO	10	7
FED. ROAD DIST. NO.		ILLINOIS	PROJECT	

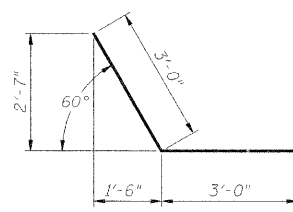


SECTION A-A

SECTION B-B



SECTION C-C



BAR w2
MIN BAR LAP
#5 bars = 2'-2"

BILL OF MATERIAL

Bar	No.	Size	Length	Shape
i	332	#5	3'-8"	—
i1	82	#5	5'-2"	—
w	28	#5	31'-0"	—
w1	32	#5	15'-0"	—
w2	32	#5	6'-0"	—
Concrete Structures			Cu. Yd.	74.0
Reinforcement Bars			Pound	3320

NOTES

- Structure footing is to be poured monolithically with wingwall footing.
- Bars indicated thus 8x3-#5 etc indicates 8 lines of bars with 3 lengths per line.
- Minor field variations may be required for three sided system selected. Major deviations shall be approved by the Engineer.
- Structure excavation is included with "Three Sided Precast Concrete Structure 36' Span."
- Precast units shall be constructed and installed in accordance with manufacturer's specifications.

FOUNDATION PLAN

PLOT DATE: 4/9/2008 4:45:39 PM f-gplan.dgn

FOOTING PLAN AND DETAILS

REVISIONS	WHEELER ROAD OVER OTTER CREEK	WINNEBAGO COUNTY	DECATUR CHICAGO
NO. DATE INITIALS	CHECKED BY DATE	PROJECT NO.	5219
1	TS 08/07	SHEET NO.	
2			
3			
4			
5			
6			
7			
8			
9			
10			

HOMER L. CHASTAIN & ASSOCIATES, LLP
CONSULTING ENGINEERS
184-001397

ROCKFORD (815) 489-0050