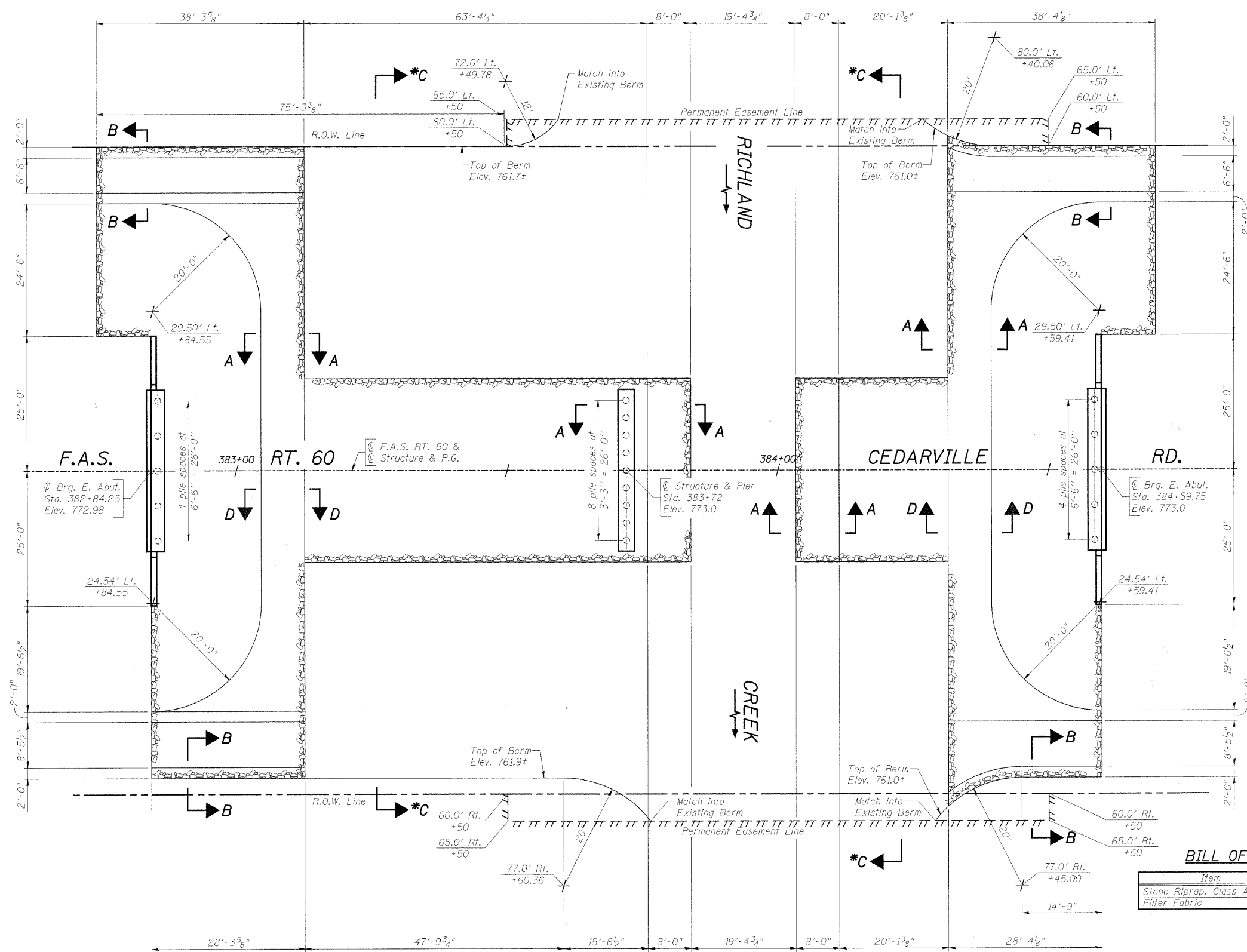
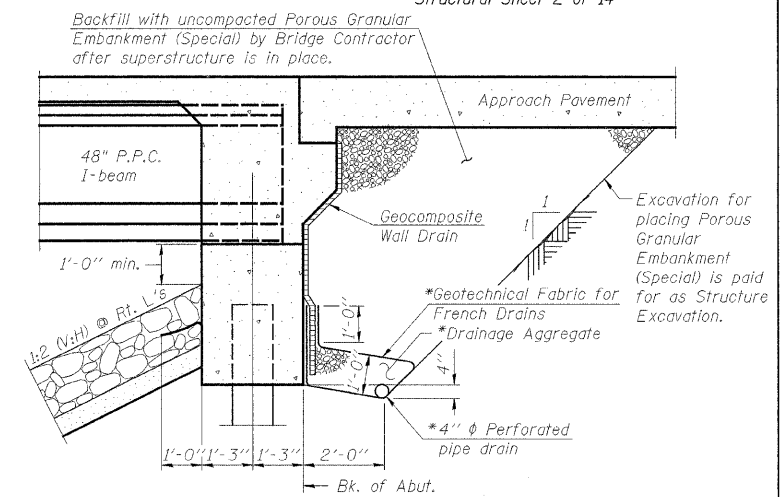


ROUTE	SECTION	COUNTY	SHEET	SHEET
60	07-00172-00-BR	STEPHENSON	31	II
FED. ROAD DIST. NO. 7		ILLINOIS	FED. AID PROJECT - BRS-601121	

Structural Sheet 2 of 14

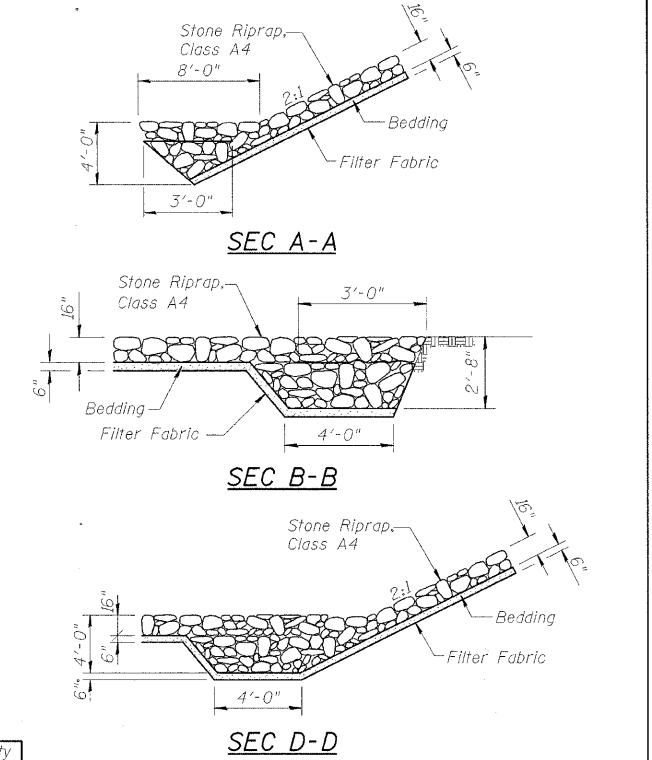


PLAN VIEW



SECTION THRU INTEGRAL ABUTMENT  
(Horiz. dim. @ Rt. L's)

\* Included in the cost of Pipe Underdrains for Structures 4"  
 Note:  
 All drainage system components shall extend to 2'-0" from the end of each wingwall except an outlet pipe shall extend until intersecting with the side slopes. The pipes shall drain into concrete headwalls. (See Article 601.05 of the Standard Specifications and Highway Standard 60110).



STONE RIPRAP ANCHOR DETAILS

**BILL OF MATERIAL**

Item	Unit	Quantity
Stone Riprap, Class A4	Sq. Yd.	1,232
Filter Fabric	Sq. Yd.	1,232

**RIPRAP AND PILE LAYOUT  
 CEDARVILLE ROAD (FAS 60) OVER RICHLAND CREEK  
 STA. 383+72 (S.N. 089-3282)  
 SECTION 07-00172-00-BR  
 STEPHENSON COUNTY**

**NOTE:**  
 \* See Cross Section Sheet 31 of 31 for Section C-C