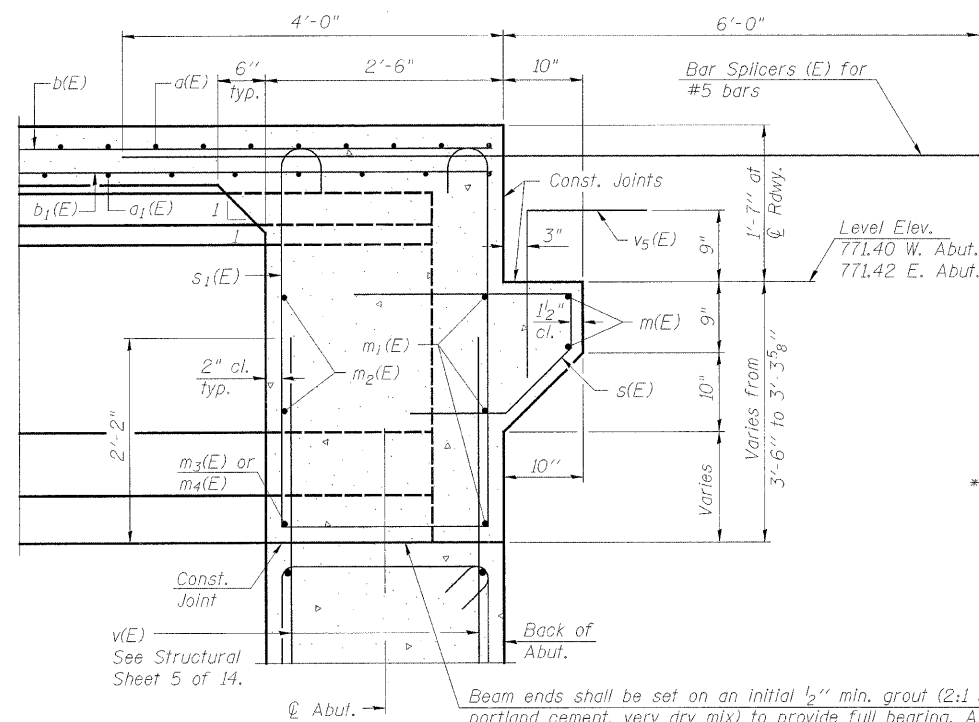


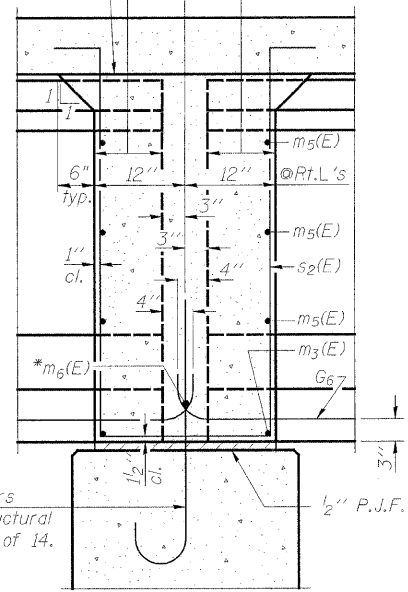
PROJECT NO.	SECTION	COUNTY	DISTRICT	SHEET NO.
60	07-00172-00-BR	STEPHENSON	31	15
FED. ROAD DIST. NO. 7	ILLINOIS	FED. AID PROJECT-	BRS-6C(12)	
Structural Sheet 6 of 14				



SECTION A-A

Pour diaphragm flush with bott. of slab. Concrete in slab above this line shall be placed not less than 45 min. nor more than 90 min. after diaphragm has been poured.

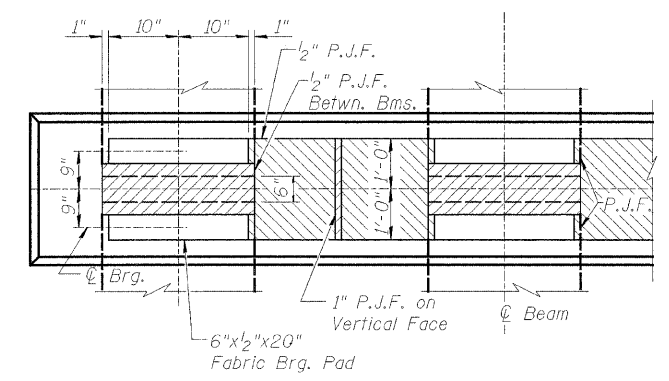
Roofing felt shall be bonded to side of beam embedded into diaphragm.



SECTION B-B

* Tightly fasten the #8 bars together with No. 9 wire ties.

Beam ends shall be set on an initial 1/2" min. grout (2:1 sand and portland cement, very dry mix) to provide full bearing. Any excess grout squeezed out from under the beam shall be removed. Cost included with Concrete Structures.

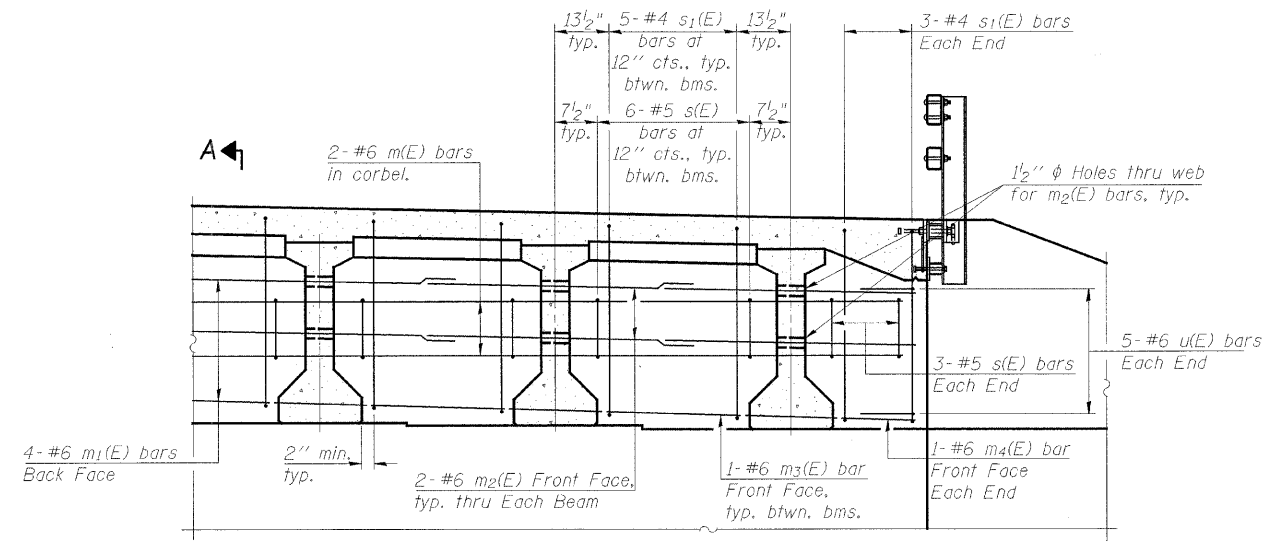


PLAN VIEW-PIERS

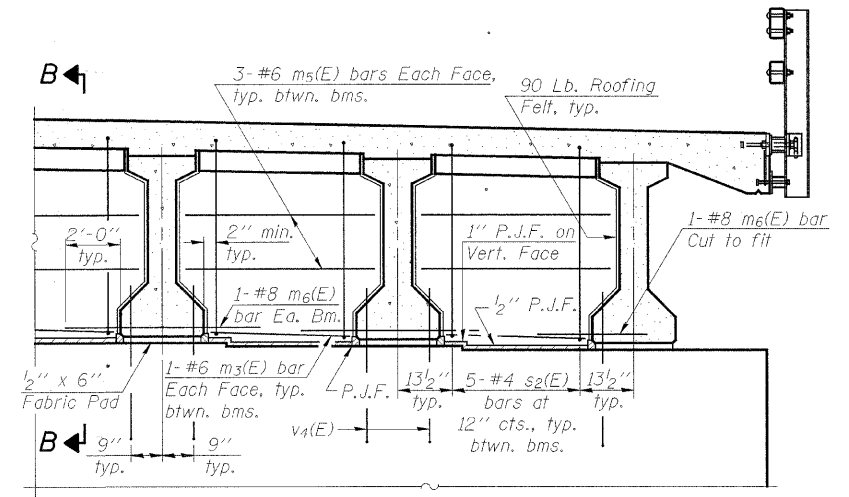
NOTES:

- See Structural Sheet 5 of 14 for location of Sections A-A and B-B.
- Reinforcement bars in diaphragm are billed with superstructure on Structural Sheet 5 of 14.
- Concrete in diaphragm is included with Concrete Superstructure on Structural Sheet 5 of 14.
- For details of bars s(E), s1(E) and s2(E), see Structural Sheet 5 of 14.
- Cost of 90 Lb. roofing felt is included with Concrete Superstructure.

BAR	LAP
#4	1'-8"
#5	2'-2"
#6	2'-7"
#7	3'-5"
#8	4'-6"



DIAPHRAGM ELEVATION AT ABUTMENT



DIAPHRAGM AT PIER

DIAPHRAGM DETAILS
CEDARVILLE ROAD (FAS 60) OVER RICHLAND CREEK
STA. 383+72 (S.N. 089-3282)
SECTION 07-00172-00-BR
STEPHENSON COUNTY
WHA #1106D07