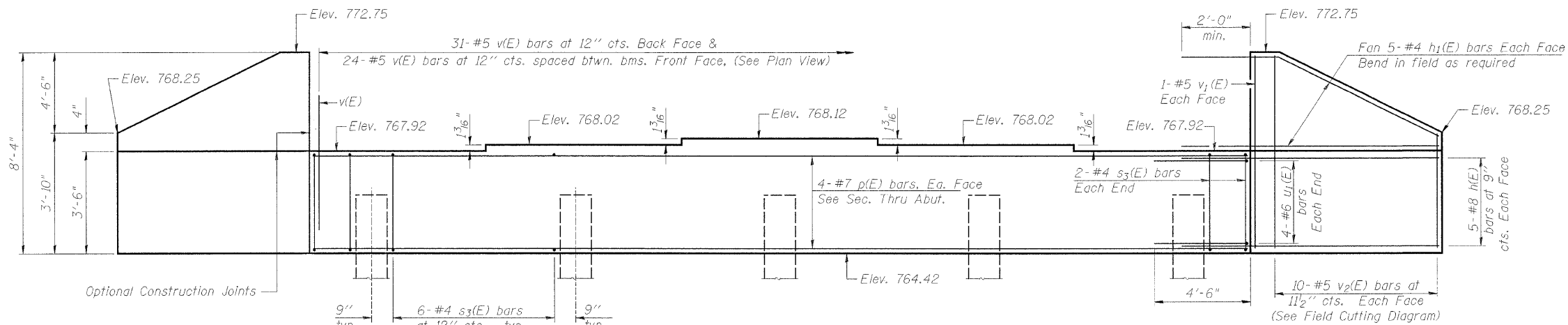
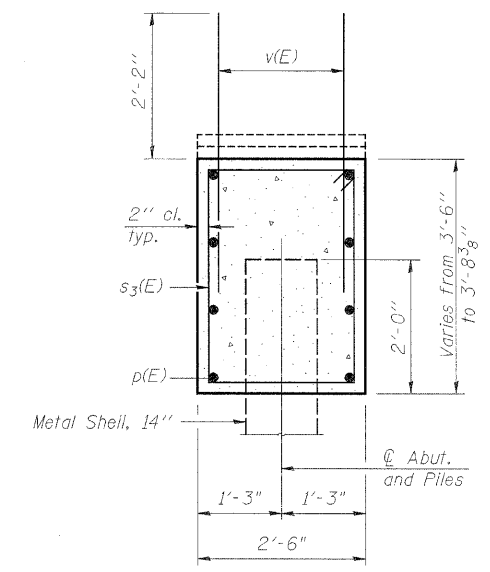


PROJECT	SECTION	COUNTY	SHEET	TOTAL SHEETS
60	07-00172-00-BR	STEPHENSON	31	18
FED. ROAD DIST. NO. 7	ILLINOIS	FED. AID PROJECT	BRS-60(12)	

Structural Sheet 9 of 14



**ELEVATION**  
(Looking West)



**SEC. THRU ABUT.**

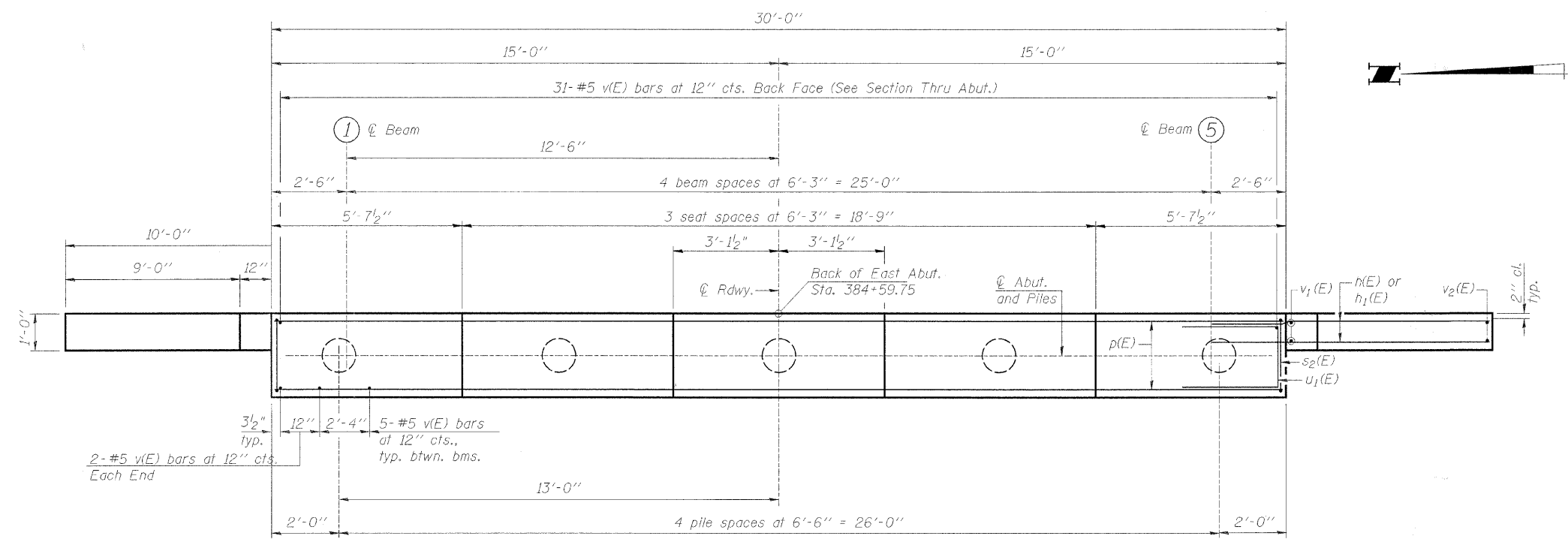
**BILL OF MATERIAL - EAST ABUT.**

Bar	No.	Size	Length	Shape
h(E)	20	#8	14'-4"	—
h1(E)	20	#4	12'-0"	—
p(E)	8	#7	28'-8"	—
s3(E)	28	#4	11'-5"	□
u1(E)	8	#6	9'-1"	□
v(E)	55	#5	4'-11"	—
v1(E)	4	#5	8'-1"	—
v2(E)	20	#5	11'-8"	—
Porous Granular Embankment (Special)		Cu. Yd.	61	
Concrete Structures		Cu. Yd.	14.2	
Reinforcement Bars, Epoxy Coated		Pound	2,280	
Furnishing Metal Shell Piles 14" x 0.250"		Foot	120	
Driving Piles		Foot	120	
Test Pile Metal Shells		Each	1	
Geocomposite Wall Drain		Sq. Yd.	24	
Concrete Headwall for Pipe Drains		Each	2	
Pipe Underdrains for Structures 4"		Foot	67	

**NOTES:**

- Four steps monolithically with cap.
- Reinforcement bars designated (E) shall be epoxy coated.
- Wing reinforcement shown is typical each wing.
- Unless otherwise noted.
- All exposed edges shall have standard 3/4" chamfers.
- Except as noted.

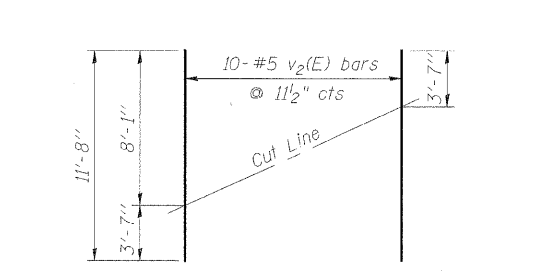
**EAST ABUTMENT**  
CEDARVILLE ROAD (FAS 60) OVER RICHLAND CREEK  
STA. 383+72 (S.N. 089-3282)  
SECTION 07-00172-00-BR  
STEPHENSON COUNTY  
WHA #1106D07



**PLAN**

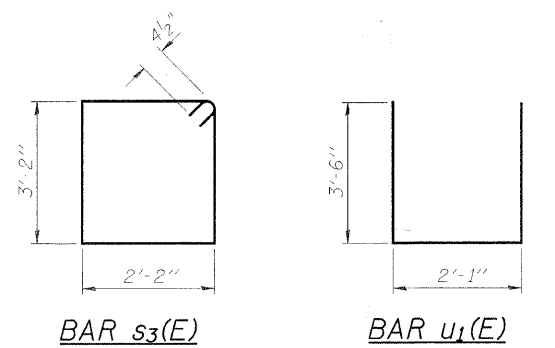
**PILE DATA**

Type: ..... Metal Shell-14" x 0.250"  
Nominal Required Bearing:..... 416k  
Factored Resistance Available:..... 208k  
Est. Length:..... 30'  
No. Production Piles:..... 4  
No. Test Piles:..... 1



**FIELD CUTTING DIAGRAM v2(E) BARS**

Order v2(E) full length. Cut as shown and use remainder of bars in opposite face.



**BAR s3(E)**

**BAR u1(E)**