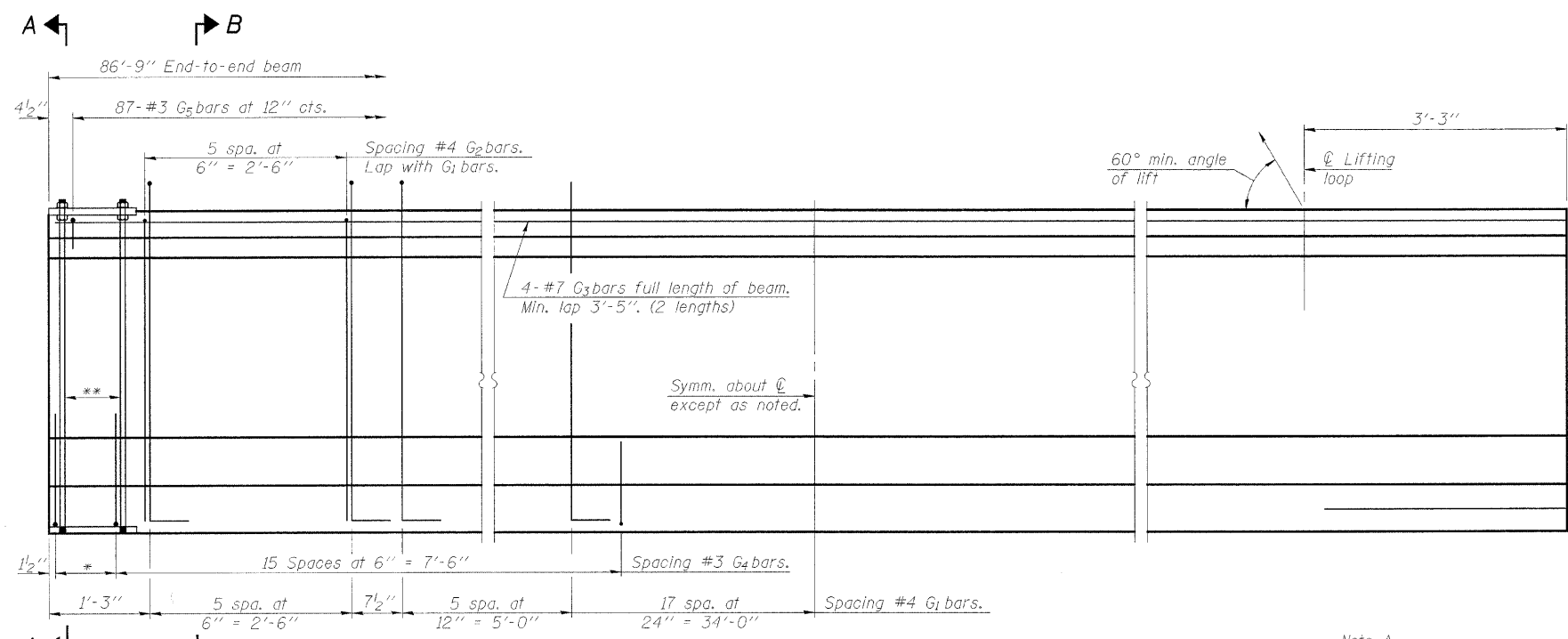


ROUTE	SECTION	COUNTY	SHEETS	SHEET
F.A.S. 60	07-00172-00-BR	STEPHENSON	31	19
FED. ROAD DIST. NO. 7	BLINDS	FED. AID PROJECT-	BRS-60(12)	

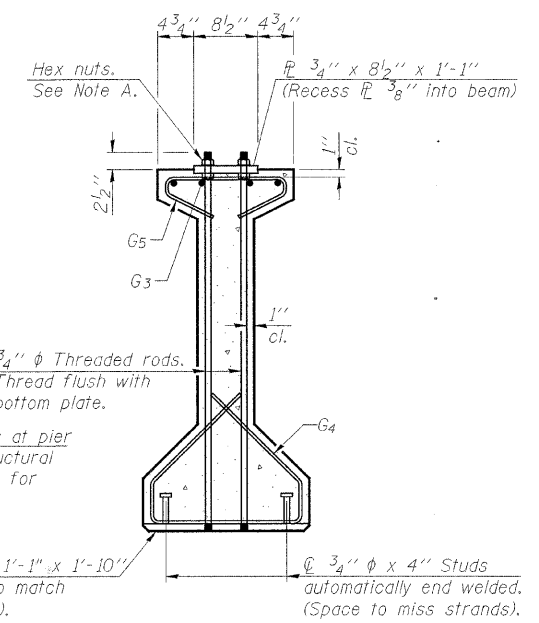
Structural Sheet 10 of 14



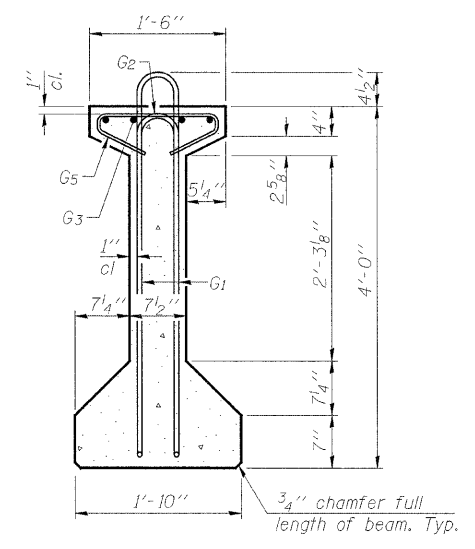
**ELEVATION OF BEAM**  
(Showing reinforcement & dimensions)

\*3 spaces at 3" = 9".  
\*\*4-3/4" φ threaded dowel rods at 3" cts., Each Face.

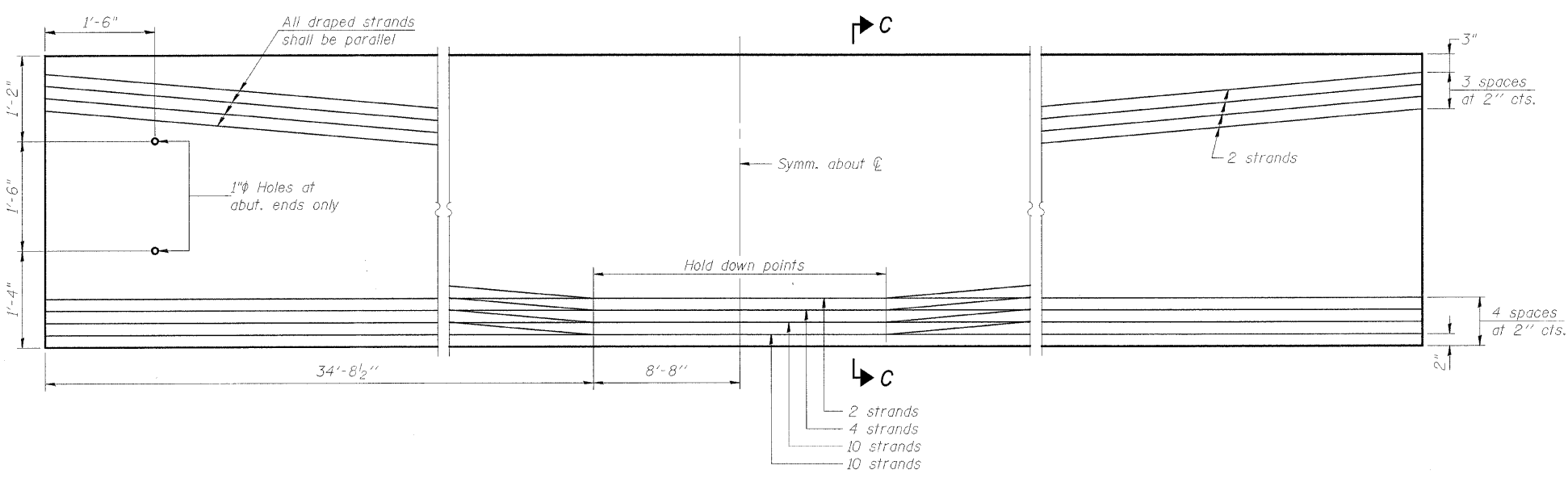
Note A:  
Hex nuts (top and bottom) with lock washers (top). Only tighten sufficiently to compress lock washers.



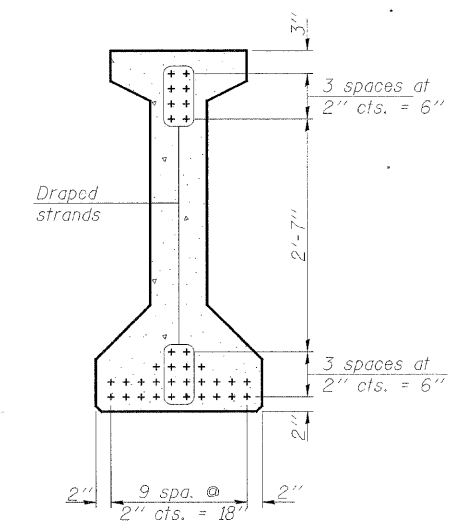
**SECTION A-A**



**SECTION B-B**



**ELEVATION OF BEAM**  
(Showing prestressing steel)



**SECTION C-C**

**\*\*\*BAR LIST  
ONE BEAM ONLY**

Bar	No.	Size	Length	Shape
G1	57	#4	9'-6"	NL
G2	12	#4	7'-11"	U
G3	8	#7	44'-11"	U
G4	38	#3	5'-3"	U
G5	87	#3	2'-9"	U
G6	2	#8	3'-9"	U

\*\*\*For information only

**NOTES:**

See Structural Sheet 11 of 14 for additional details and Bill of Material.  
Required release strength, f'ci, shall be 6,000 psi.

**PRESTRESSED BEAM DETAILS**  
**CEDARVILLE ROAD (FAS 60) OVER RICHLAND CREEK**  
**STA. 383+72 (S.N. 089-3282)**  
**SECTION 07-00172-00-BR**  
**STEPHENSON COUNTY**  
WHA #1106D07