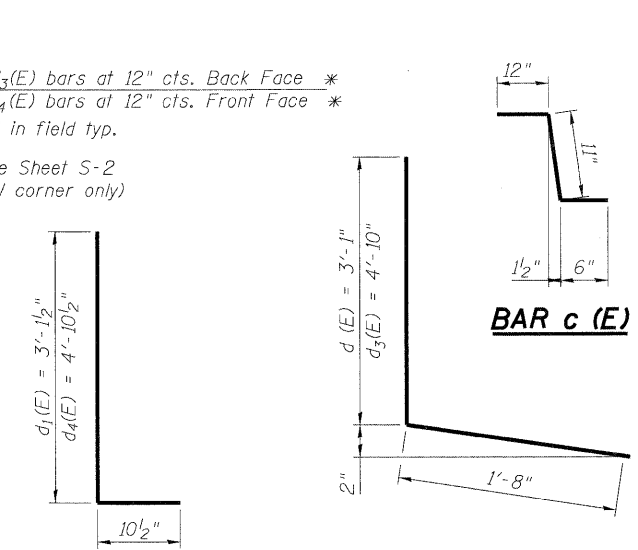
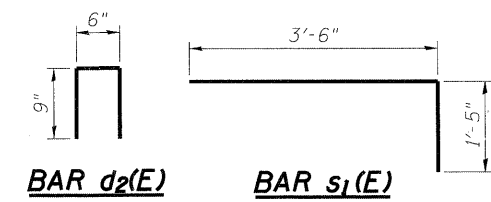


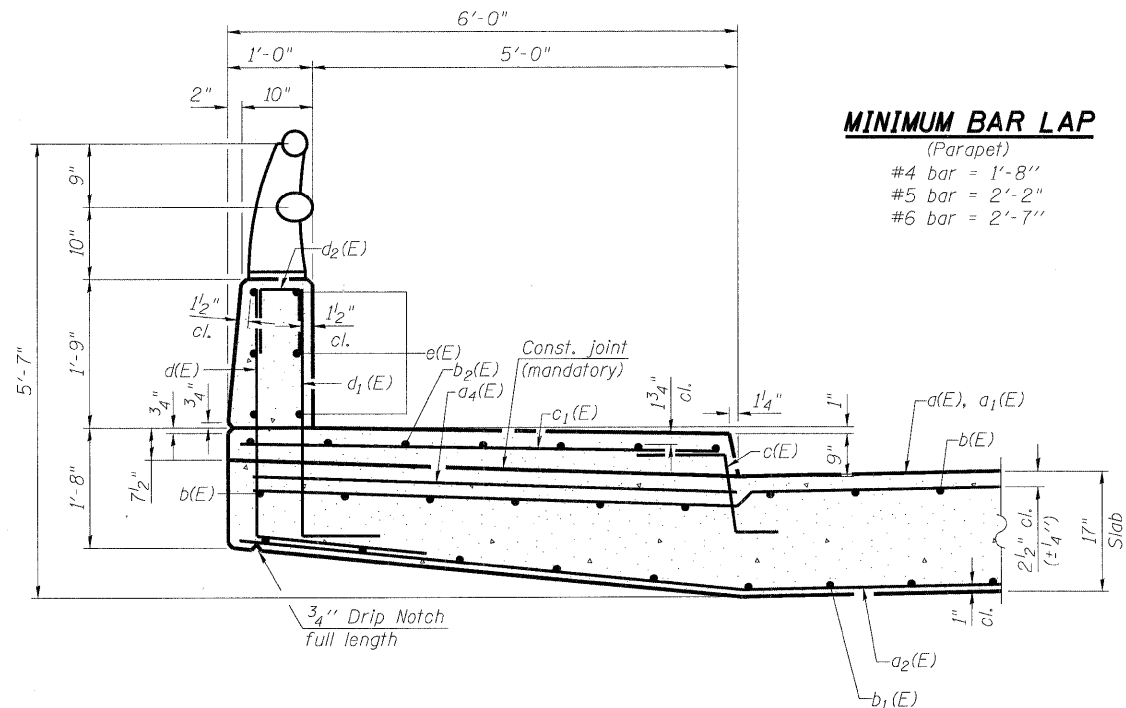
INSIDE ELEVATION OF PARAPET
* Trim bars to fit



SUPERSTRUCTURE BILL OF MATERIAL

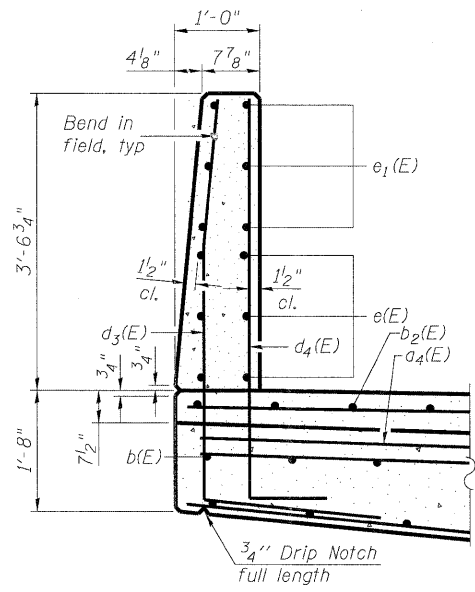
Bar	No.	Size	Length	Shape	
d(E)	21	#5	19'-10"	—	
a1(E)	21	#5	24'-10"	—	
a2(E)	60	#5	22'-4"	—	
a3(E)	12	#5	8'-0"	—	
a4(E)	42	#6	6'-0"	—	
b(E)	41	#5	27'-8"	—	
b1(E)	81	#8	29'-6"	—	
b2(E)	14	#5	28'-8"	—	
c(E)	60	#5	2'-5"	—	
c1(E)	60	#5	5'-11"	—	
d(E)	42	#4	4'-9"	—	
d1(E)	42	#6	4'-0"	—	
d2(E)	12	#4	2'-0"	—	
d3(E)	20	#4	6'-6"	—	
d4(E)	20	#6	5'-9"	—	
e(E)	36	#4	9'-2"	—	
e1(E)	24	#4	3'-8"	—	
s(E)	82	#5	6'-1"	—	
s1(E)	36	#5	4'-11"	—	
s2(E)	36	#5	4'-6"	—	
Reinforcement Bars, Epoxy Coated				Pound	13,170
Concrete Superstructure				Cu. Yds.	75.1
Bridge Deck Grooving				Sq. Yds.	84
Protective Coat				Sq. Yds.	152

Bars indicated thus 1 x 2 - #8 etc. indicates 1 line of bars with 2 lengths per line.

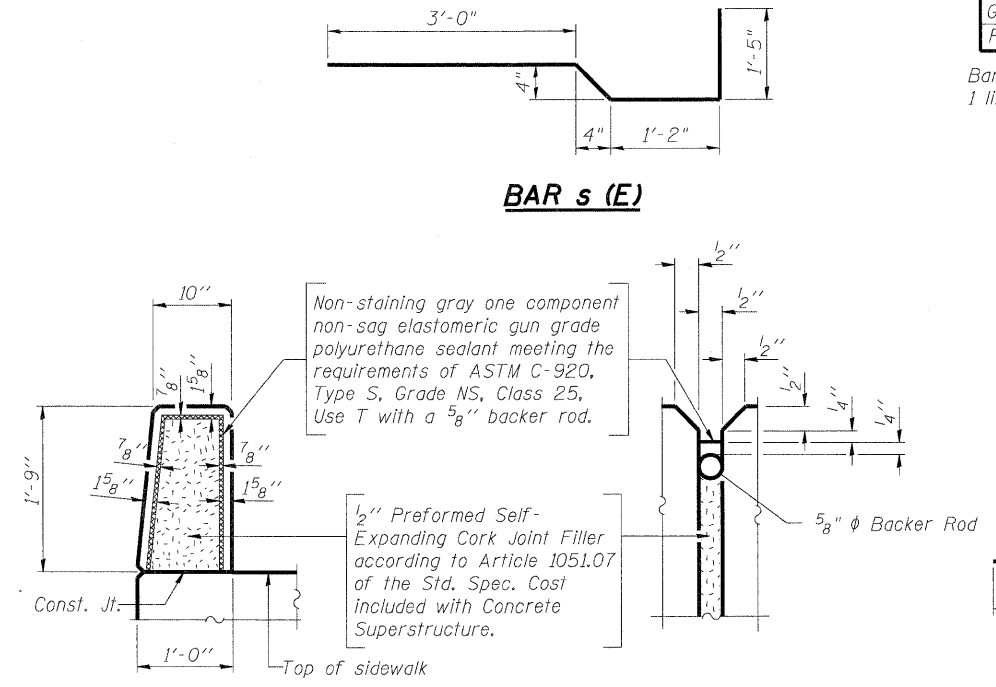


SECTION THRU SIDEWALK

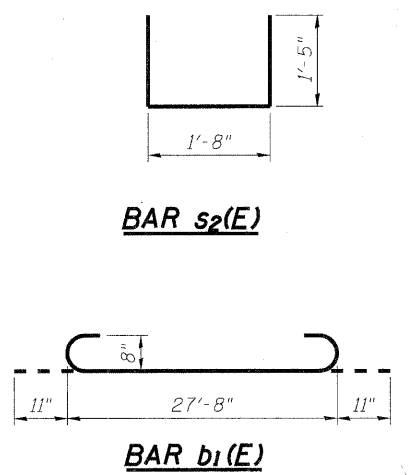
MINIMUM BAR LAP
(Parapet)
#4 bar = 1'-8"
#5 bar = 2'-2"
#6 bar = 2'-7"



SECTION C-C
See Section Thru Sidewalk for additional details.



PARAPET JOINT DETAILS



BAR s2(E)

BAR b1(E)

SUPERSTRUCTURE DETAILS

SEARLES AVENUE (FAU ROUTE 5156)
OVER THE NORTHWEST DRAINAGEWAY
CITY OF ROCKFORD
WINNEBAGO COUNTY
S.N. 101-6004

DATE: 2/6/09

DESIGNED	KMA
CHECKED	RGD
DRAWN	WJH
CHECKED	RGD

S-D 5-16-08

SEC GROUP, INC.
Illinois Professional Design Firm # 184-000108
• Engineering • Surveying • Planning • Landscape Architecture
4500 Prime Parkway, McHenry, IL 60050
t. 815.386.1778 f. 815.386.1781
www.secgroupinc.com
• McHenry, IL • Yorkville, IL • New Lenox, IL • Chicago, IL

SHEET NO. S-4 S-6 SHEETS	F.A.U. RTE.	SECTION	COUNTY	TOTAL SHEETS	SHEET NO.
	5156	08-00550-00-BR	Winnebago	15	11
FED. ROAD DIST. NO. 2 ILLINOIS FED. AID PROJECT			CONTRACT NO. 85444 BHM 5099 (077)		