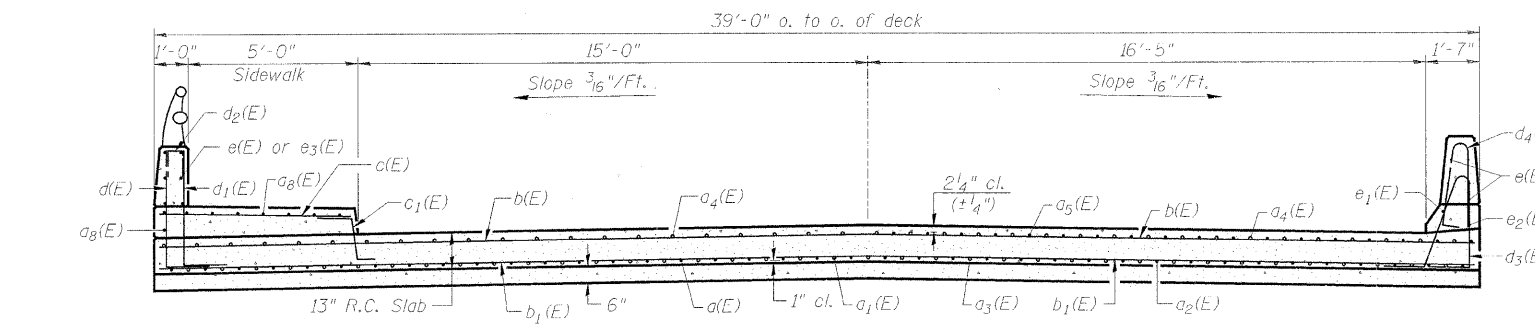
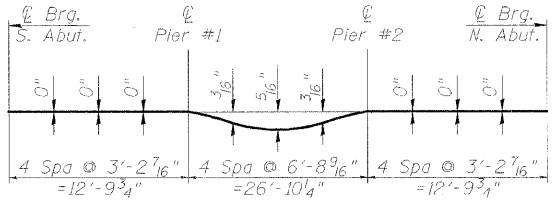
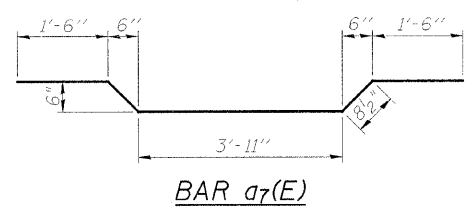
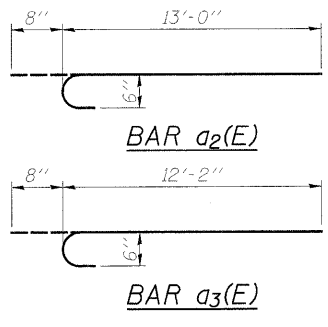


**PLAN**

\*See Superstructure Details Sheet

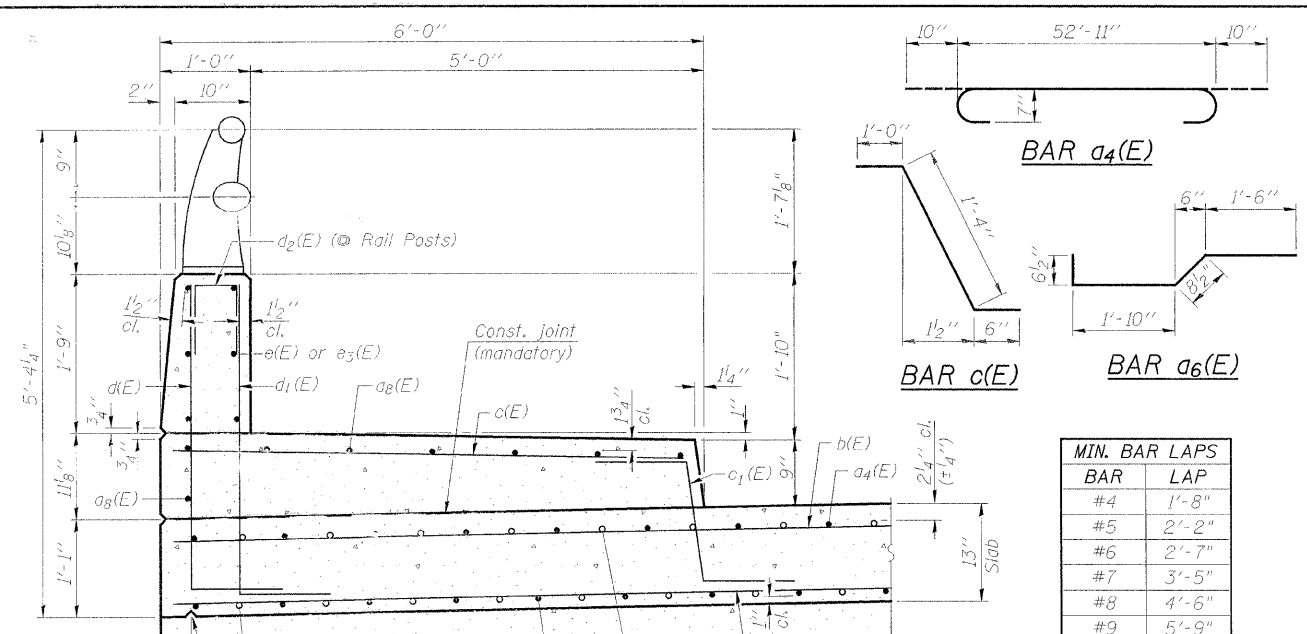


**CROSS SECTION**  
(Looking North)

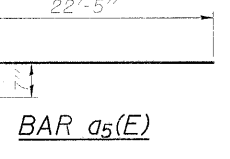


**DEAD LOAD DEFLECTION DIAGRAM**

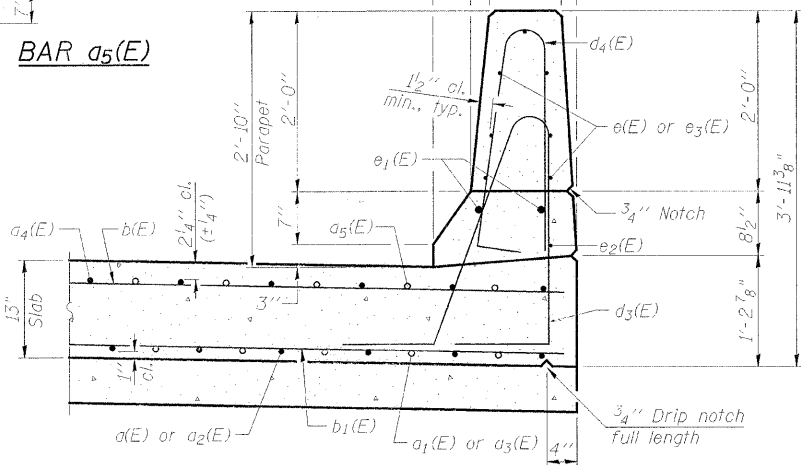
**BARS d(E) & d1(E)**



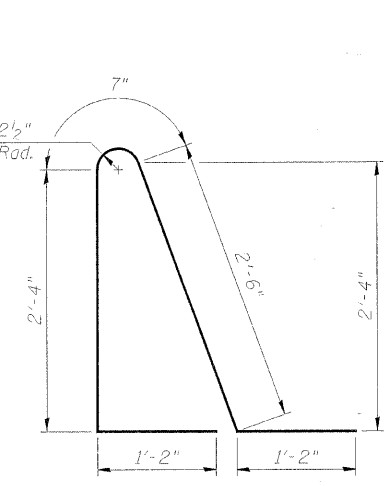
**SECTION THRU SIDEWALK**



**BAR a5(E)**

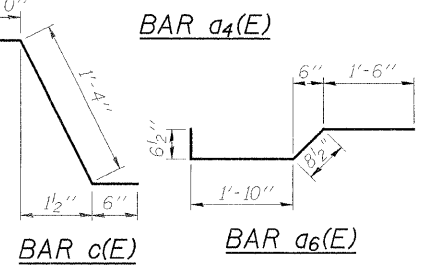


**SECTION THRU PARAPET**



**BAR d3(E)**

**BAR d4(E)**



MIN. BAR LAPS	
BAR	LAP
#4	1'-8"
#5	2'-2"
#6	2'-7"
#7	3'-5"
#8	4'-6"
#9	5'-9"

**SUPERSTRUCTURE BILL OF MATERIAL**

Bar	No.	Size	Length	Shape
a(E)	27	#9	32'-8"	—
a1(E)	26	#9	23'-10"	—
a2(E)	54	#6	15'-11"	—
a3(E)	52	#6	12'-10"	—
a4(E)	33	#7	54'-7"	—
a5(E)	64	#7	23'-3"	—
a6(E)	52	#5	4'-7"	—
a7(E)	52	#5	8'-4"	—
a8(E)	8	#5	52'-11"	—
b(E)	36	#5	38'-9"	—
b1(E)	36	#5	38'-9"	—
b2(E)	4	#5	38'-9"	—
b3(E)	6	#5	38'-9"	—
c(E)	54	#5	5'-7"	—
c1(E)	54	#5	2'-10"	—
d(E)	54	#4	4'-5"	L
d1(E)	54	#6	4'-5"	L
d2(E)	18	#4	2'-0"	—
d3(E)	59	#5	7'-9"	—
d4(E)	59	#5	5'-7"	—
e(E)	26	#4	12'-10"	—
e1(E)	2	#8	52'-11"	—
e2(E)	1	#4	52'-11"	—
e3(E)	13	#4	26'-6"	—
Concrete Superstructure			Cu. Yds.	107.5
Bridge Deck Grooving			Sq. Yds.	174
Protective Coat			Sq. Yds.	258
Reinforcement Bars, Epoxy Coated			Pound	21,190

**SUPERSTRUCTURE INDEPENDENCE AVE. OVER S. BR. OF KENT CK. STA. 20+00 (S.N. 101-6125) SECTION 98-00484-00-BR CITY OF ROCKFORD WINNEBAGO COUNTY WHA # 1038R08**

STRUCTURAL SHEET NO. 3 OF 8 SHEETS	M.S. RTE.	SECTION	COUNTY	TOTAL SHEETS	SHEET NO.
	6548B	98-00484-00-BR	WINNEBAGO	18	10
	CONTRACT NO. 85453				
FED. ROAD DIST. NO. - ILLINOIS FED. AID PROJECT BHM-5099(50)					