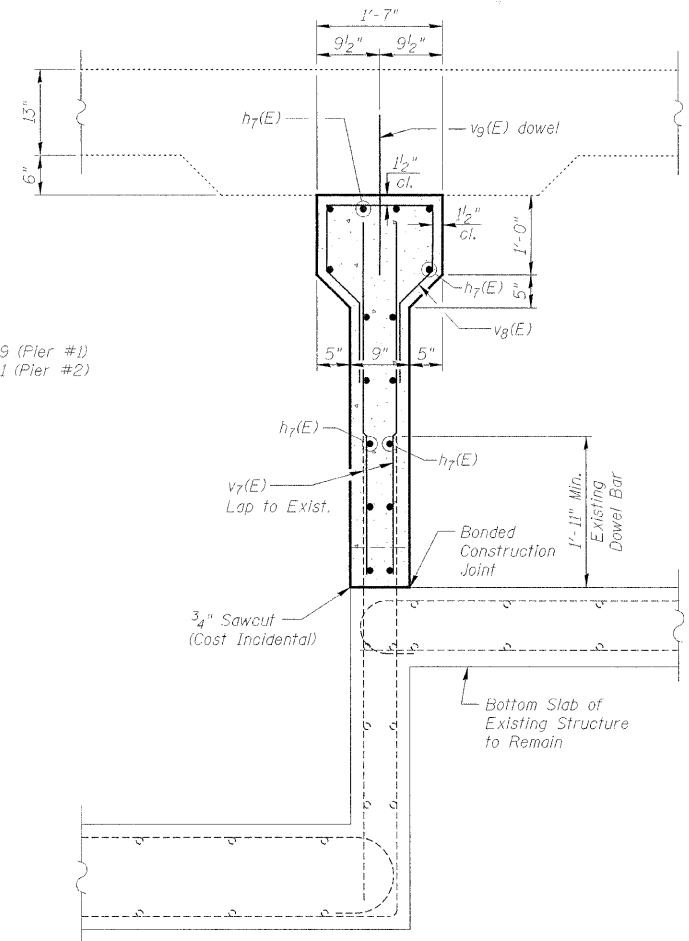
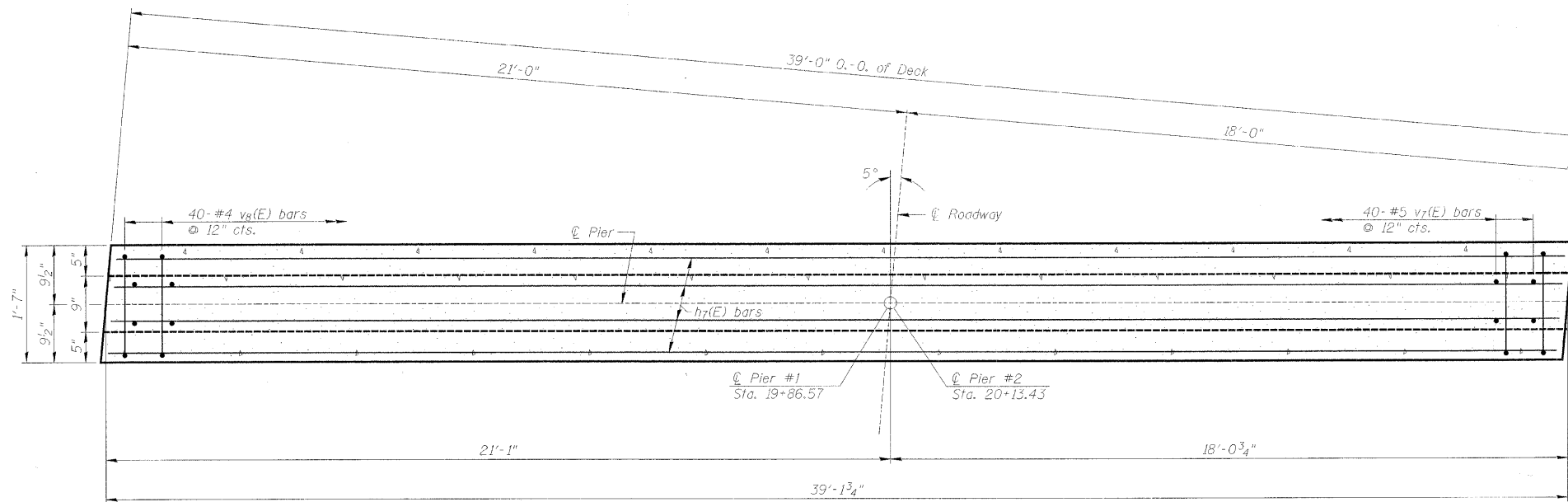


ELEVATION VIEW
(Looking North)

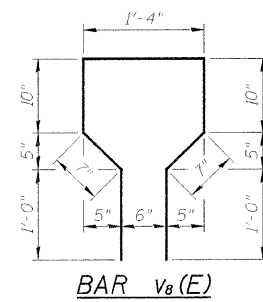


SECTION THRU PIER



PLAN VIEW

MIN. BAR LAPS	
BAR	LAP
#4	1'-8"
#5	2'-2"



BAR v8(E)

BILL OF MATERIAL - PIER #1 & #2

Bar	No.	Size	Length	Shape
h7(E)	32	#5	38'-10"	—
v7(E)	160	#5	4'-8"	—
v8(E)	80	#4	6'-2"	U
v9(E)	80	#5	2'-0"	—
Concrete Removal			Cu. Yd.	14.6
Concrete Structures			Cu. Yd.	14.2
Reinforcement Bars, Epoxy Coated			Pound	2,580

NOTES:

All edges shall have standard 3/4" chamfer except as noted.
Existing reinforcement shall be cleaned and incorporated into the new construction. Cost included with Concrete Removal.

PIER #1 & #2 DETAILS
INDEPENDENCE AVE. OVER S. BR. OF KENT CK.
STA. 20+00 (S.N. 101-6125)
SECTION 98-00484-00-BR
CITY OF ROCKFORD
WINNEBAGO COUNTY
WHA # 1038R08

STRUCTURAL SHEET NO. 7 OF 8 SHEETS	M.S. RTE.	SECTION	COUNTY	TOTAL SHEETS	SHEET NO.
	6548B	98-00484-00-BR	WINNEBAGO	18	14
	CONTRACT NO. 85453				
FED. ROAD DIST. NO.		ILLINOIS FED. AID PROJECT		BHM-5099(50)	