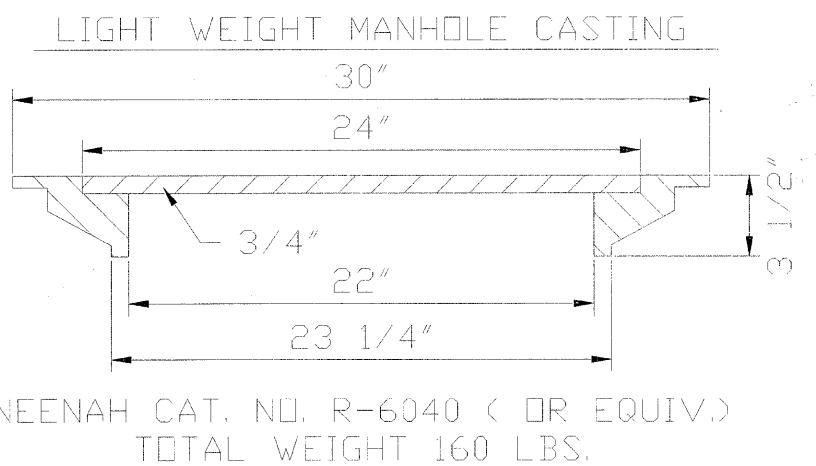
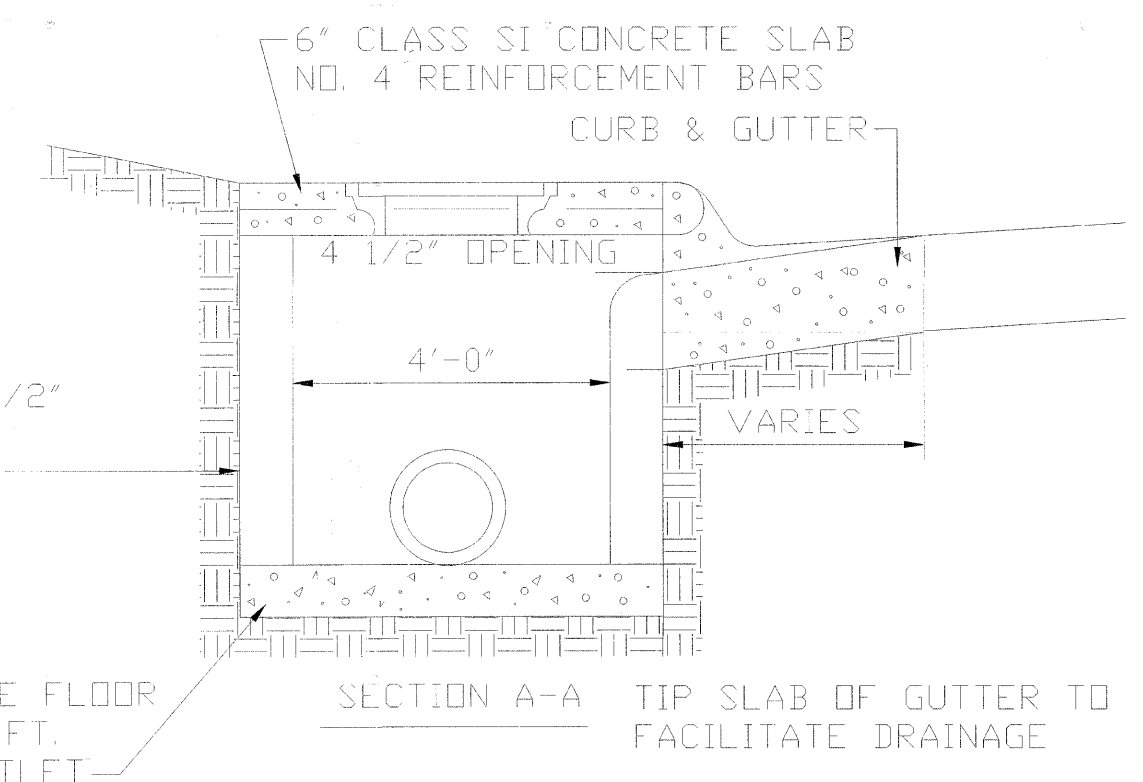
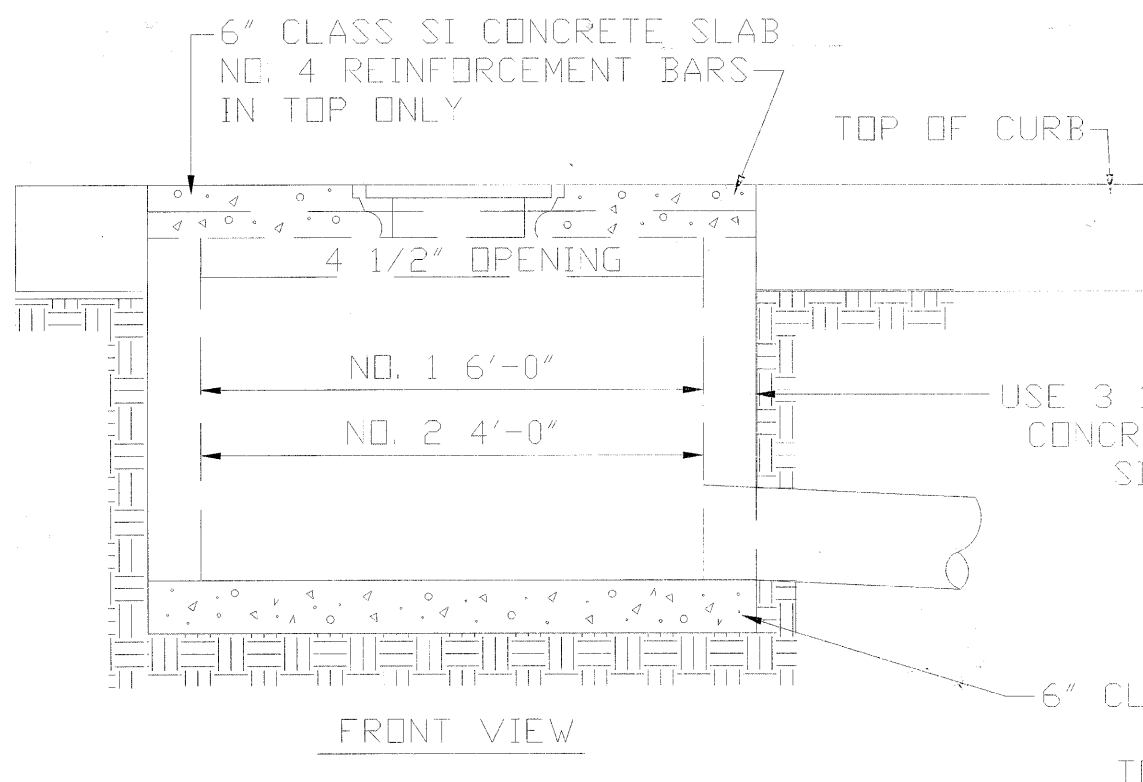
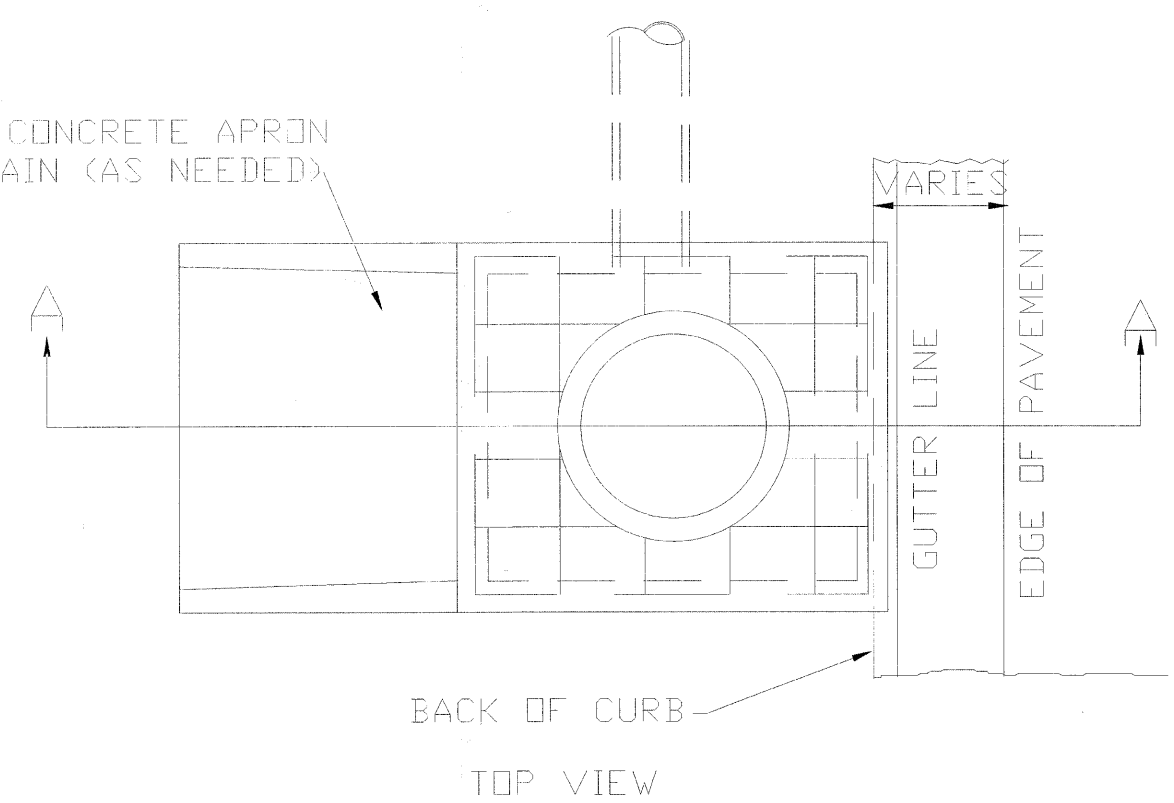


DATE	
BY	
DESIGNED	
PLOTTED	
GRADES CHECKED	
ALIGNMENT CHECKED	
NOTE BOOK	
NO.	
FILE NAME	

DATE	
BY	
DESIGNED	
PLOTTED	
GRADES CHECKED	
STRUCTURE NOTATION CHD	
NOTE BOOK	
NO.	
FILE NAME	



6" CLASS SI CONCRETE APRON
SLOPE TO DRAIN (AS NEEDED)



NOTE:
ALL EXCAVATION, BACKFILLING, CLASS SI CONCRETE, CONCRETE
BLOCKS, MANHOLE FRAMES & LIDS, REINFORCEMENT BARS, ETC.
USED IN CONSTRUCTION SHALL BE PAID FOR AT THE CONTRACT
UNIT PRICE FOR INLET SPECIAL NO. 2

INLET SPECIAL NO. 2

D-IS2MOD

FILE NAME = s:\rockford\1038988-Independence\CD-ISP2MOD.dgn

WILLET, HOFMANN & ASSOCIATES, INC.
CONSULTING ENGINEERS
809 East Second Street Dixon, IL 61021
Phone 815.294.3381 Fax 815.294.3385
Design Firm # 184-0018
www.willettthofmann.com

USER NAME =	DESIGNED - SMG	REVISED -
	DRAWN - SMG	REVISED -
PLOT SCALE =	CHECKED - GS	REVISED -
PLOT DATE =	DATE - 1-9-09	REVISED -

CITY OF ROCKFORD
INDEPENDENCE AVENUE
OVER S. BRANCH OF KENT CREEK

Inlet Special No. 2

F.A. RTE.	SECTION	COUNTY	TOTAL SHEETS	SHEET NO.
	98-00484-00-BR	WINNEBAGO	18	18
STA.	TO STA.	CONTRACT NO. 85453		
FED. ROAD DIST. NO. ILLINOIS FED. AID PROJECT				