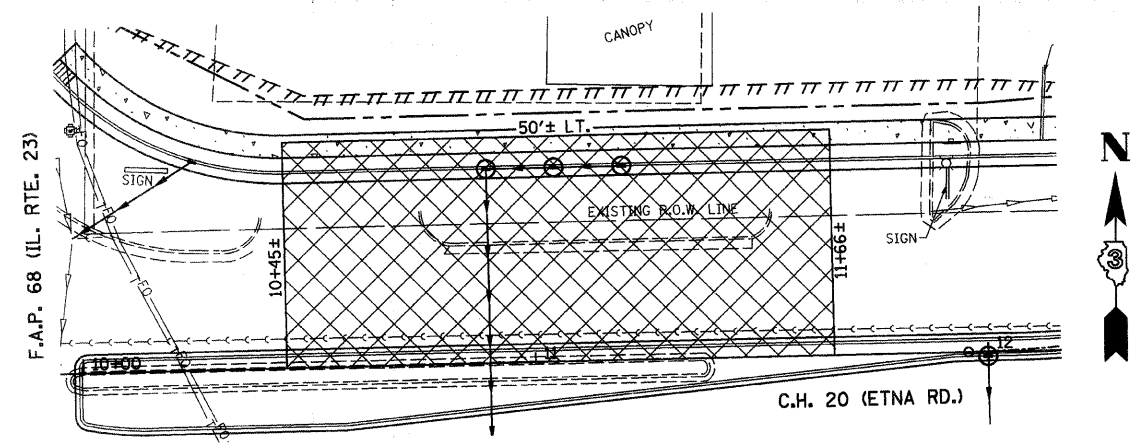
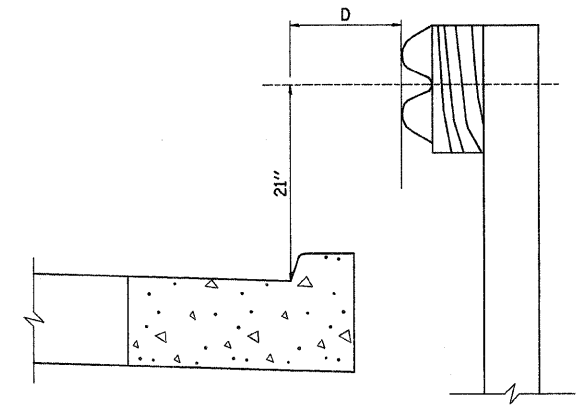


RTE. NO.	SECTION	COUNTY	TOTAL SHEETS	SHEET NO.
CH. 2006-00275-00-PV		LOGSALLE	218	123
STA. N/A	TO STA. N/A			
FED. ROAD DIST. NO. 3	ILLINOIS	FEDERAL AID PROJECT		

CONTRACT NO. 87352



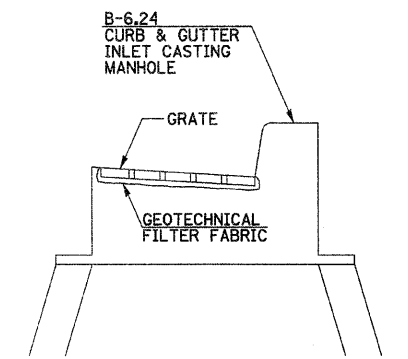
NON-SPECIAL WASTE LOCATION
 STA. 10+45± TO STA. 11+66± (C.H. 20 (ETNA RD.))
 BASELINE TO 50'± LT.



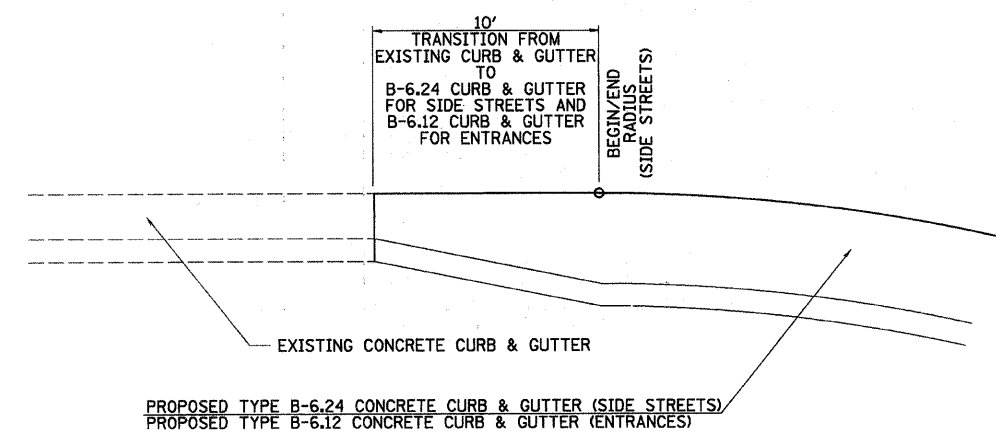
NOTE:
 IF IT IS NECESSARY FOR D TO BE MORE THAN 12" AND LESS THAN 10'-0" TYPE M-2 CURB AND GUTTER (STD. 606001) SHALL BE USED IN FRONT OF AND IN ADVANCE OF THE GUARDRAIL.

GUARDRAIL PLACED BEHIND CURB

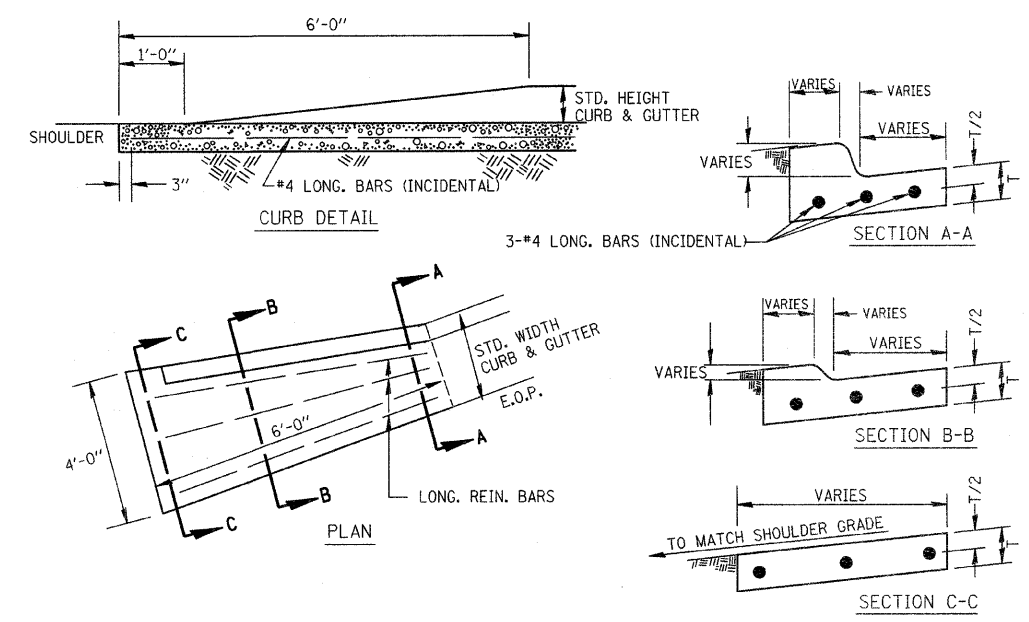
(D = 0 DESIREABLE TO 12" MAXIMUM)



FILTER FABRIC-INLET PROTECTION DETAIL



CURB & GUTTER TRANSITION DETAIL
 (APPLIES TO SIDE STREETS & ENTRANCES STA. 21+75.8 (LT.) & STA. 40+31.1 (RT.))



CURB & GUTTER OUTLET, SPECIAL