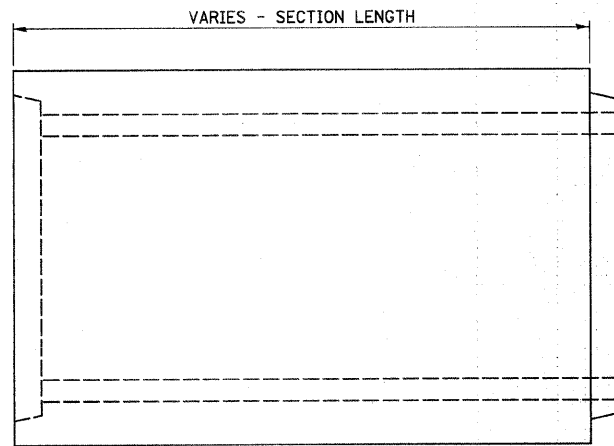


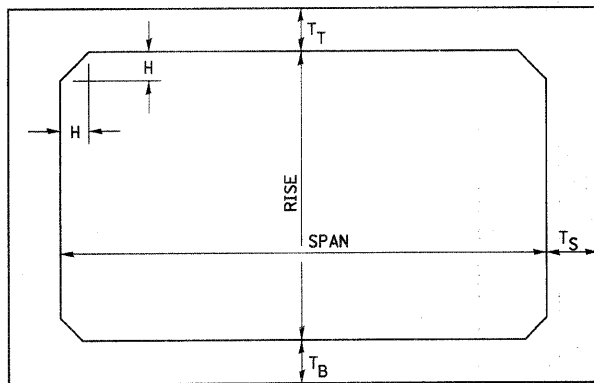
BOX CULVERT END SECTION, CULVERT NO. 2

LT STA 163 + 30.1

RTE. NO.	SECTION	COUNTY	TOTAL SHEETS	SHEET NO.
CH 20	06-00275-00-PV	LaSALLE	218	128
STA. N/A		TO STA. N/A		
FED. ROAD DIST. NO. 3		ILLINOIS		FED. AID PROJECT
CONTRACT NO. 87352				



ELEVATION



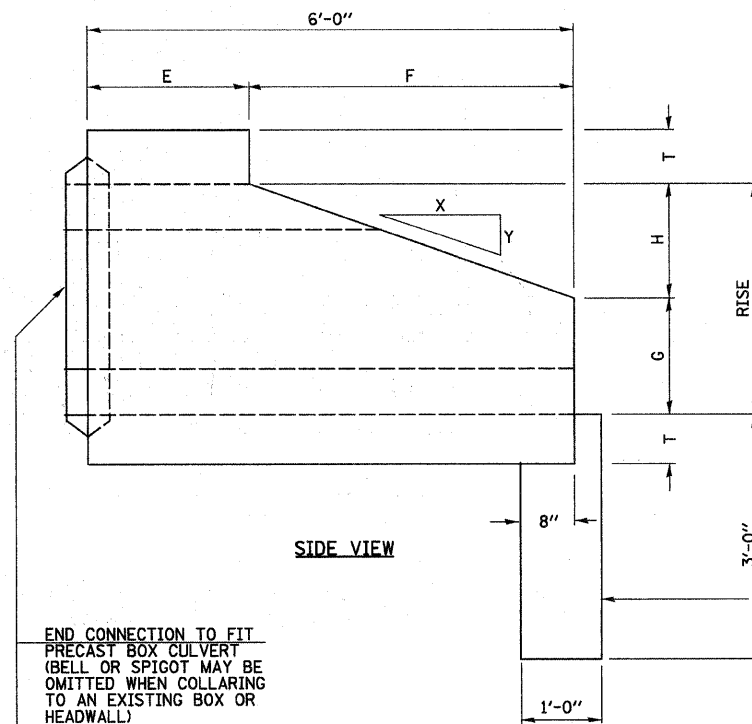
TYPICAL BOX SECTION

SPAN, FEET	T_T , INCHES		T_B , INCHES		T_s , INCHES	
	M 259	M 273	M 259	M 273	M 259	M 273
3	4	7	4	6	4	4
4	5	7 1/2	5	6	5	5
5	6	8	6	7	6	6
6	7	8	7	7	7	7
7	8	8	8	8	8	8
8	8	8	8	8	8	8
9	9	9	9	9	9	9
10	10	10	10	10	10	10
11	11	11	11	11	11	11
12	12	12	12	12	12	12

TYPICAL THICKNESSES

GENERAL NOTE: MINIMUM COVER FOR BOX CULVERTS SHALL BE 6".

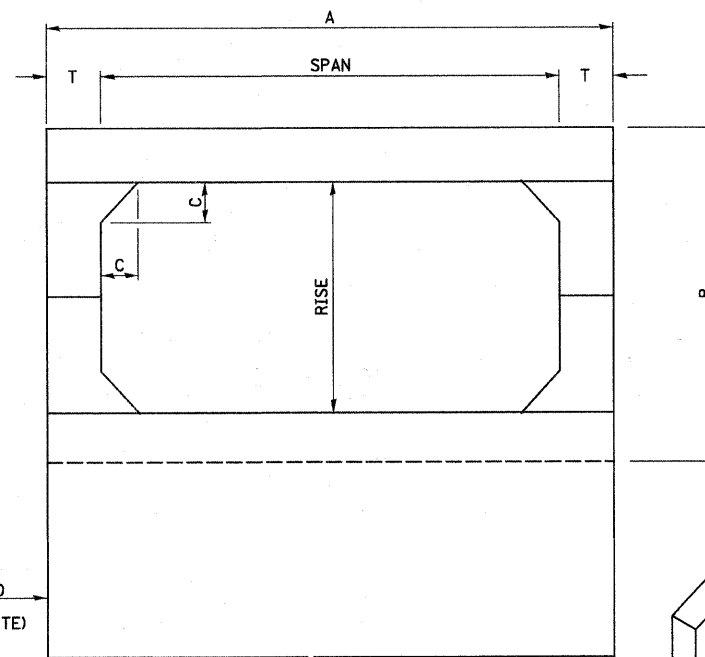
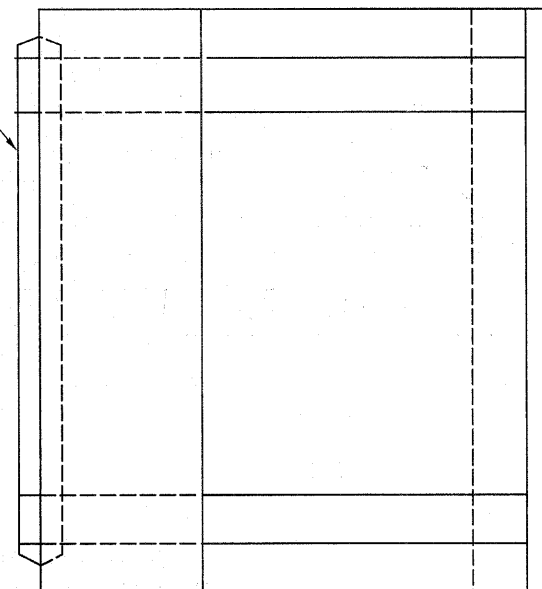
PRECAST CONCRETE BOX SECTION



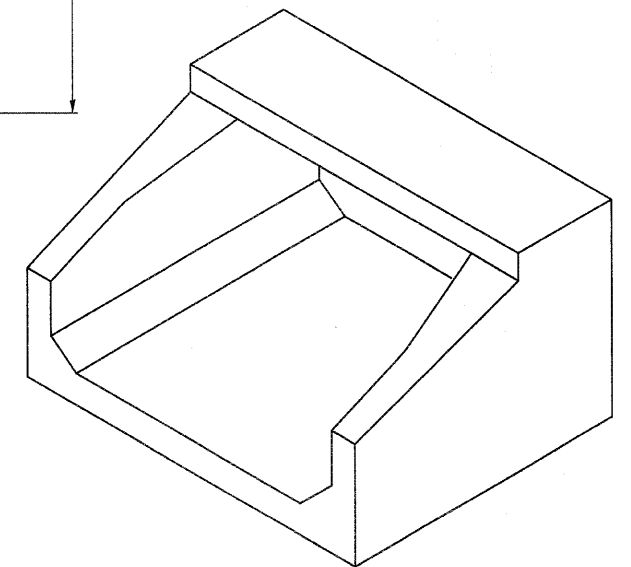
SIDE VIEW

END CONNECTION TO FIT
PRECAST BOX CULVERT
(BELL OR SPIGOT MAY BE
OMITTED WHEN COLLARING TO
AN EXISTING BOX OR
HEADWALL)

PRECAST OR FIELD
POURED TOEWALL
(CLASS SI CONCRETE)



END VIEW



SPAN X RISE	T (INCHES)	A (FT.-IN.)	B (FT.-IN.)	C (INCHES)	E (FT.-IN.)	F (FT.-IN.)	G (FT.-IN.)	H (FT.-IN.)	SLOPE
2' X 2'	4	2 - 8	2 - 8	4	3 - 0	3 - 0	1 - 0	1 - 0	3 : 1
3' X 2'	4	3 - 8	2 - 8	4	3 - 0	3 - 0	1 - 0	1 - 0	3 : 1
3' X 3'	4	3 - 8	3 - 8	4	2 - 0	4 - 0	1 - 8	1 - 4	3 : 1
4' X 2'	5	4 - 10	2 - 10	5	3 - 0	3 - 0	1 - 0	1 - 0	3 : 1
4' X 3'	5	4 - 10	3 - 10	5	2 - 0	4 - 0	1 - 8	1 - 4	3 : 1
4' X 4'	5	4 - 10	4 - 10	5	2 - 0	4 - 0	2 - 0	2 - 0	2 : 1
5' X 2'	6	6 - 0	3 - 0	6	3 - 0	3 - 0	1 - 0	1 - 0	3 : 1
5' X 3'	6	6 - 0	4 - 0	6	2 - 0	4 - 0	1 - 8	1 - 4	3 : 1
5' X 4'	6	6 - 0	5 - 0	6	2 - 0	4 - 0	2 - 0	2 - 0	2 : 1
5' X 5'	6	6 - 0	6 - 0	6		4 - 0	3 - 0	2 - 0	2 : 1
6' X 2'	7	7 - 2	3 - 2	7	3 - 0	3 - 0	1 - 0	1 - 0	3 : 1
6' X 3'	7	7 - 2	4 - 2	7	2 - 0	4 - 0	1 - 8	1 - 4	3 : 1
6' X 4'	7	7 - 2	5 - 2	7	2 - 0	4 - 0	2 - 0	2 - 0	2 : 1
6' X 5'	7	7 - 2	6 - 2	7		4 - 0	3 - 0	2 - 0	2 : 1
7' X 3'	8	8 - 4	4 - 4	8		4 - 0	1 - 8	1 - 4	3 : 1
7' X 4'	8	8 - 4	5 - 4	8		4 - 0	2 - 0	2 - 0	2 : 1
7' X 5'	8	8 - 4	6 - 4	8		4 - 0	3 - 0	2 - 0	2 : 1
8' X 3'	8	9 - 4	4 - 4	8		4 - 0	1 - 8	1 - 4	3 : 1
8' X 4'	8	9 - 4	5 - 4	8		4 - 0	2 - 0	2 - 0	2 : 1
8' X 5'	8	9 - 4	6 - 4	8		4 - 0	3 - 0	2 - 0	2 : 1
9' X 3'	9	10 - 6	4 - 6	9		4 - 0	1 - 8	1 - 4	3 : 1
9' X 4'	9	10 - 6	5 - 6	9		4 - 0	2 - 0	2 - 0	2 : 1
9' X 5'	9	10 - 6	6 - 6	9		4 - 0	3 - 0	2 - 0	2 : 1
10' X 4'	10	11 - 8	5 - 9	10		4 - 0	2 - 0	2 - 0	2 : 1
10' X 5'	10	11 - 8	6 - 8	10		4 - 0	3 - 0	2 - 0	2 : 1

PRECAST CONCRETE BOX CULVERT END SECTION