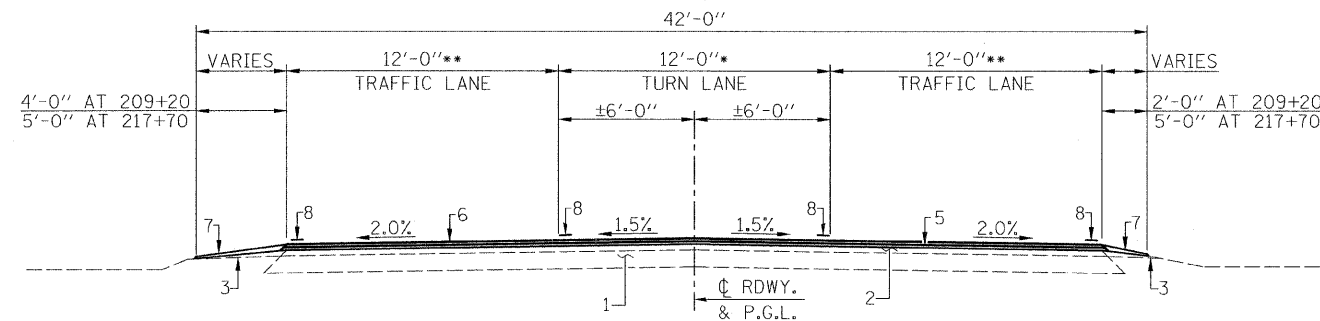
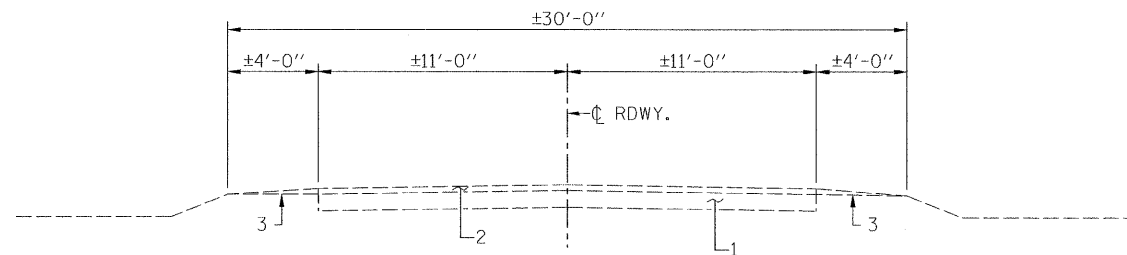


EXISTING CROSS SECTION
(STA. 209+20 TO STA. 217+70)

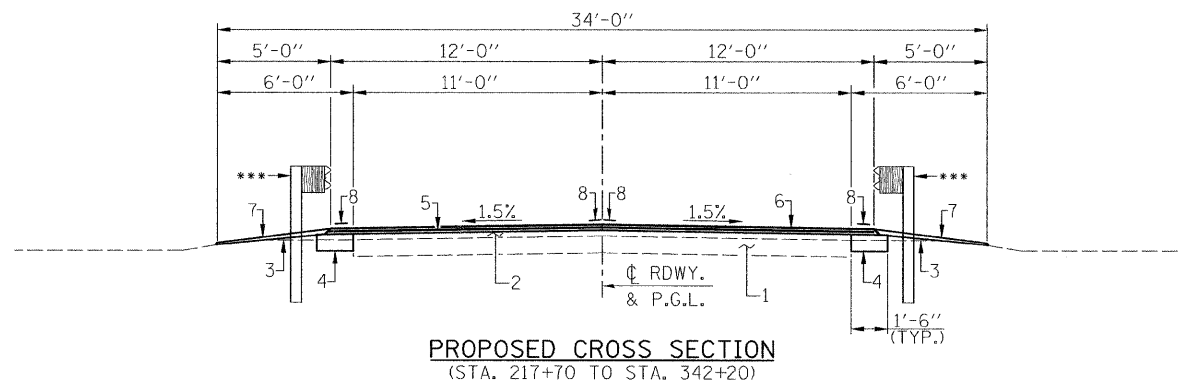
* VARIES FROM 12'-0" TO 0'-0" FROM STA. 213+20 TO STA. 217+70
 ** VARIES FROM 12'-0" TO 11'-0" FROM STA. 213+20 TO STA. 217+70



PROPOSED CROSS SECTION
(STA. 209+20 TO STA. 217+70)

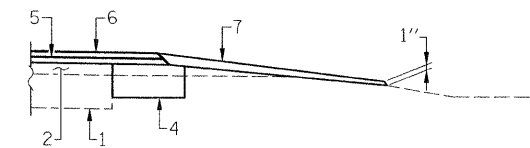


EXISTING CROSS SECTION
(STA. 217+70 TO STA. 342+20)



PROPOSED CROSS SECTION
(STA. 217+70 TO STA. 342+20)

*** GUARDRAIL LOCATIONS
 STA. 248+05 TO STA. 250+30 RT.
 STA. 247+95 TO STA. 251+57.5 LT.
 STA. 279+75 TO STA. 282+50 RT.
 STA. 281+06 TO STA. 283+81 LT.
 STA. 338+04.5 TO STA. 340+17 RT.
 STA. 338+48 TO STA. 341+23 LT.



AGGREGATE SHOULDER DETAIL

PAVEMENT LEGEND

1. EXISTING HOT MIX ASPHALT BASE COURSE 9"
2. EXISTING HOT MIX ASPHALT OVERLAYS
3. EXISTING AGGREGATE SHOULDERS, TYPE A (WEDGE)
4. PROPOSED HOT MIX ASPHALT BASE COURSE WIDENING - 9"
5. PROPOSED HOT MIX ASPHALT BINDER COURSE 1 1/2" MIN.
6. PROPOSED HOT MIX ASPHALT SURFACE COURSE 1 1/2"
7. PROPOSED AGGREGATE SHOULDER, TYPE B
8. PROPOSED PAINT PAVEMENT MARKING - LINE 4"

USER NAME = #USER#	DESIGNED - ---	REVISED - ---
PLOT SCALE = #SCALE#	DRAWN - ---	REVISED - ---
PLOT DATE = #DATE#	CHECKED - ---	REVISED - ---
	DATE - ---	REVISED - ---



Allen Henderson & Associates, Inc.
 Civil and Structural Engineers Springfield, IL.
 62703 Phone: (217)544-8033 IL Design Firm
 No. 184-001907

TYPICAL SECTIONS

SCALE: _____	SHEET NO. _____ OF _____ SHEETS	STA. _____ TO STA. _____	F.A.S. RTE. 732	SECTION 07-00125-02-RS	COUNTY MONTGOMERY	TOTAL SHEETS 57	SHEET NO. 3
						CONTRACT NO. 93480	
						FED. ROAD DIST. NO. _____ ILLINOIS FED. AID PROJECT	