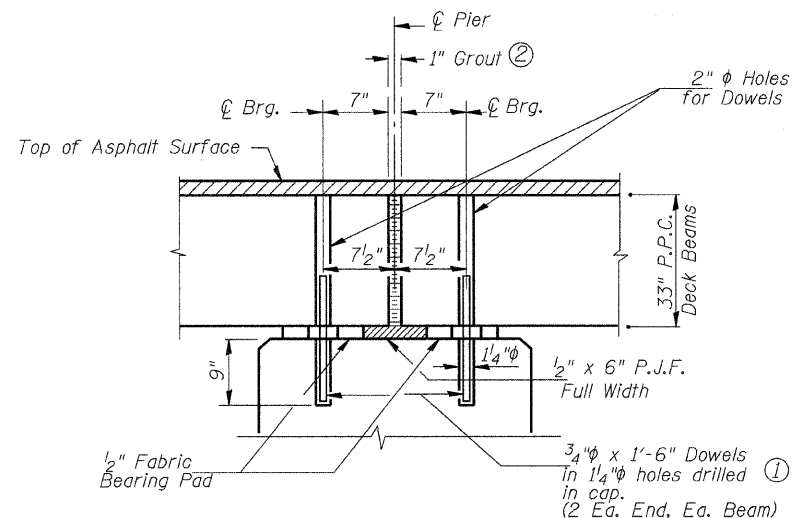
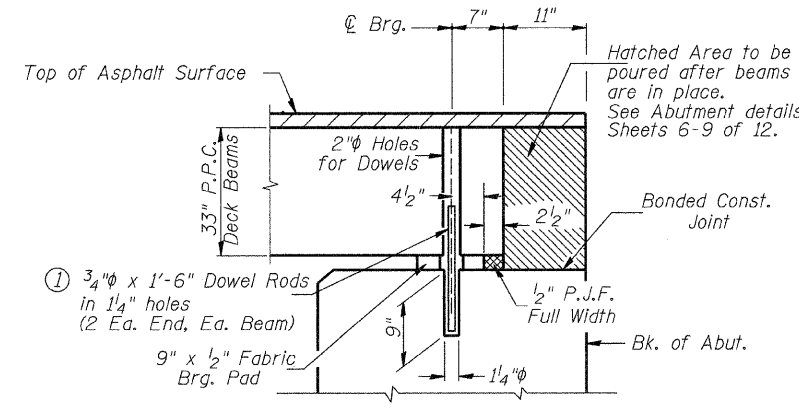


RAIL POST SPACING

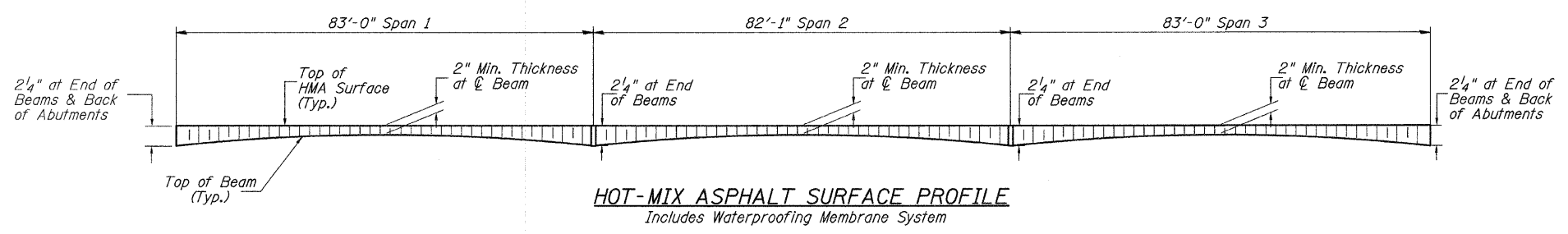


SECTION THRU PIERS
(At Right Angles)



SECTION THRU ABUTMENTS
(At Right Angles)

- ① Dowel Rods to be grouted after beams are in place and allowed to cure (Min. 24 hr.) prior to grouting the shear keys.
- ② 1" Joint shall be packed with a very dry mix of 2:1 sand and P.C. mortar. 1" Dimension may vary plus or minus to accommodate tolerance in beam lengths.



HOT-MIX ASPHALT SURFACE PROFILE
Includes Waterproofing Membrane System

SUPERSTRUCTURE DETAILS
RAIL POST SPACING
TOWNSHIP ROAD 134A OVER
MAUVAISE TERRE CREEK
SECTION 06-06120-00-BR
MORGAN COUNTY
STATION 20+00.00